

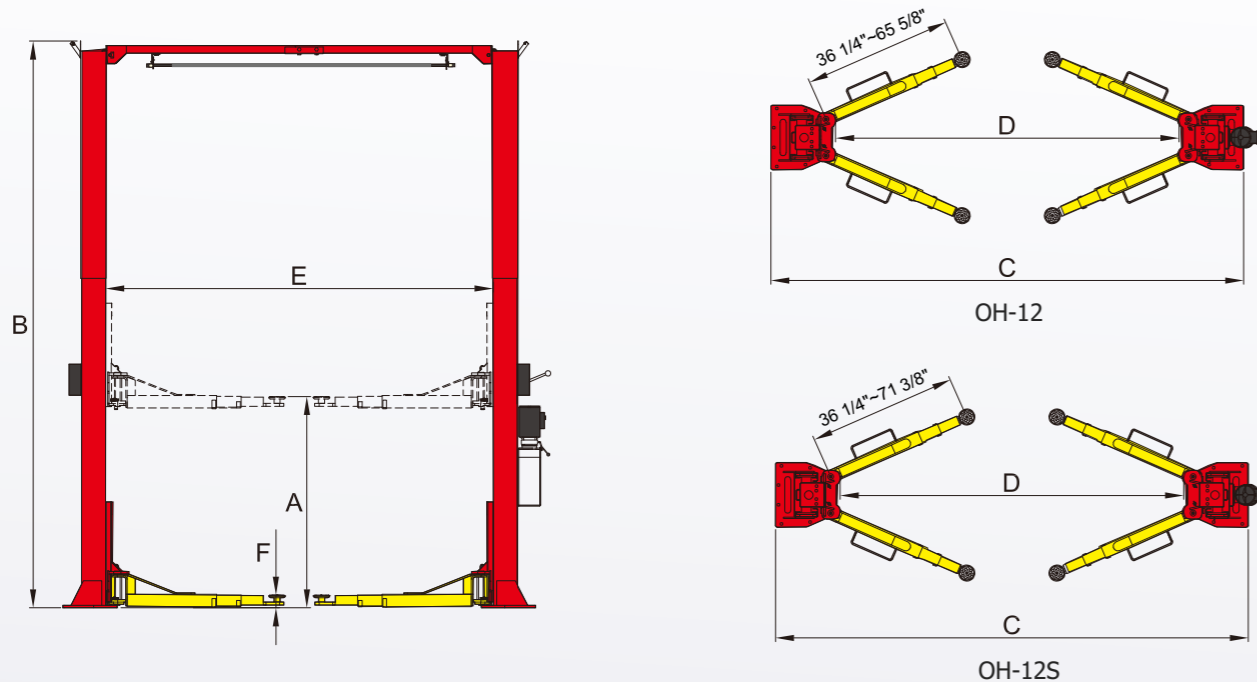
# TWO POST LIFT

## SPECIFICATIONS

| Model  | OH-12                          | OH-12S     |
|--|--------------------------------|------------|
| Lifting Capacity                             | 12,000 lbs                     | 12,000 lbs |
| Lifting Time                                 | 69s                            | 69s        |
| Max. Lifting height: (w/o extension adapter) | 72 17/32"                      | 72 17/32"  |
| Max. Lifting height: (w/ extension adapter)  | 81 17/32"                      | 81 17/32"  |
| Max. lock height: (w/o extension adapter)    | 70 9/16"                       | 70 9/16"   |
| Max. lock height: (w/ extension adapter)     | 79 9/16"                       | 79 9/16"   |
| Overall Height:(low setting)                 | 174"                           | 143 1/8"   |
| Overall Height:(Medium setting)              | 186"                           | 155 1/8"   |
| Overall Height:(High setting)                | 198"                           | 167 1/8"   |
| Overall Width                                | C 150 3/4"                     | 150 3/4"   |
| Drive-Thru Clearance                         | D 109 3/4"                     | 109 3/4"   |
| Width Between Columns                        | E 123 1/2"                     | 123 1/2"   |
| Minimum Pad Height                           | F 4 1/2"                       | 4 1/2"     |
| Gross Weight                                 | 2,346 lbs                      | 2,202 lbs  |
| Motor  | 2.0HP, 220V 60Hz, single phase |            |

## TWO-POST HEAVY-DUTY LIFTS

*AMGO Heavy-duty two post lifts model OH-12S OH-12 are fitted to any vehicles and garage or commercial shop one lift, three heights, only available in AMGO!*



### AMGO HYDRAULIC CORPORATION

SC Division: 1931 Joe Rogers Jr Blvd, Manning, SC 29102, USA  
Tel: (803) 505-6410

TX Division: 4310 Adler, Suite 200, Dallas, TX 75211, USA  
Tel: (214) 377-7742

# TWO-POST HEAVY-DUTY LIFTS

*AMGO Two Post Lifts are manufactured on high quality standards by using critical material, advance features and innovated technology.*

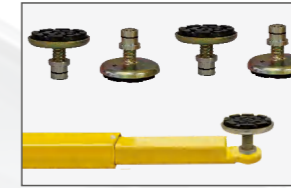
- ✓ Single-point safety release;
- ✓ Overhead safety stop device;
- ✓ Direct drive cylinder design, without chains and other drive parts;
- ✓ Dual hydraulic direct-drive cylinders, designed and made on high standards;
- ✓ Self-lubricating UHMW Polyethylene sliders and bronze bushings;
- ✓ Adjustable three height setting accommodate varying service ceiling height.
- ✓ Automatic arms restraints;
- ✓ Detachable foot guard and tool tray.



**Three-stages Arms**  
The OH-12 OH-12S with 4 three-stages arms allowing to lift the trucks from short to long wheel base.



**Standard drop-in adaptors**  
1.5", 2.5" & 5" extension high adaptors to fit different trucks and lifting height.



**Saddle adapter (Optional)**  
Single Screw-up rubber Pad Assembly  
Kits No.:20803

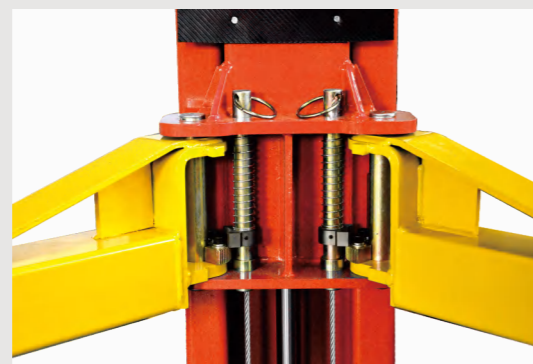


**Saddle adapter (Optional)**  
Perfect choice for wide size SUV vehicles light trucks and heavy-duty trucks.  
Kits No.:20802(suv and light trucks)  
Kits No.:21103(heavy-duty trucks)

## FEATURES



• Single point safety release makes it easier for operators to unlock both columns from one column.



• Automatic arm restraints.



• The pulley with Self-lubricating bronze bush



• The optional base plate extension Kits No.21501.

## LESS MAINTENANCE, MORE RELIABLE

OH-12, OH-12S Two post lifts are the new products developed by AMGO for heavy duty purpose with a lifting capacity up to 12,000lbs. Heavy-duty construction, self-lubricating bush, sliders and high quality parts to make the lifts with almost no maintenance required.

5-3-2 warranty:  
5 years for steel construction, 3 years for hydraulic parts, and 2 years for electrical components.