



Original

Installation And Service Manual

FOUR POST PARKING LIFT Model: 408-P

Cargo Claims

If there is any missing or damaged product during transportation, the buyer must notate on the shipping paperwork or refuse the shipment. NOTATE ALL DAMAGE OR REFUSE DAMAGED SHIPMENT!




DANGER

Read the entire contents of this manual before using this product. Failure to follow instructions and safety precautions could result in serious injury or even death. Make sure all other operators also read this manual. Keep this manual near the machine so that it can be seen by all users. By proceeding with installation and operation, you agree that you are fully understand the contents of this manual and take full responsibility for the use of the product.

CONTENTS

PROFILE.....	1
IMPORTANT SAFETY INSTRUCTIONS.....	2
I. PRODUCT FEATURES AND SPECIFICATIONS.....	5
II. STORAGE AND INSTALLATION REQUIREMENT.....	7
III. INSTALLATION STEPS.....	9
IV. EXPLODED VIEW.....	30
V. TEST RUN.....	35
VI. OPERATION INSTRUCTIONS.....	36
VII. MAINTENANCE SCHEDULE.....	37
VIII. TROUBLE SHOOTING.....	38
IX. CAR LIFT SAFETY TIPS	39
X. LIFT DISPOSAL	39

Explanation of the safety warning symbols used in this manual

-  DANGER Risk of death or injury
-  WARNING Dangerous or unsafe practices that may result in death or injury
-  CAUTION Dangerous or unsafe practices that may result in personal injury, product damage or property damage
- ATTENTION Conditions that may result in damage to products or property

PROFILE

This installation and service manual is specially prepared for you. Your new lift is the product of over a decade of continuous research, testing and development and is the most technologically advanced lift on the market today.

Please make sure to read through this manual before operating the lift.

Record the information on the nameplate label here:

Model No.: _____

Serial No.: _____

Manufacturer date: _____

WARRANTY

The warranty period for the steel structure part of new car lift is 5 years, hydraulic components, bronze bushings, slider blocks and plastic parts are under warranty for 3 years, electrical components and cables warranty for 2 year. Rubber pads are without warranty. During the warranty period, the manufacturer will repair or replace the defective parts free of charge including shipping costs.

This warranty does not cover damage caused by normal wear and tear, improper use, damage in transit, or damage caused by lack of maintenance.

This warranty is unique and supersedes what is expressed and implied in all other warranties. The manufacturer shall not be liable for any particular, indirect or accidental damage resulting in breach of or delay in the execution of the warranty. The manufacturer reserves the right to design and improve the product and has no obligation to make notice of the changes in advance.

The product warranty based on the above clause is based on the model number and serial number of the equipment. This information must be provided in conjunction with all warranty information at the time of service and warranty.

SAFETY WARNING LABEL



Fig.1


IMPORTANT SAFETY INSTRUCTIONS

In order to properly maintain your product and ensure operator safety, it is the responsibility of the product owner to read and follow these instructions!

1. Ensure product installation full complies with all applicable local and national rules, ordinances and regulations;
2. Ensure that all operators are properly trained, know how to operate the unit safely, and are properly supervised;
3. Do not operate the lift until you are sure all parts are in place and operating correctly;
4. Keep your hands and feet away from the machine. Keep hands and feet away from any moving parts. Keep your feet away from the lift as it descends and avoid pressing on pointed objects;
5. Keep the work area clean. A cluttered workspace can lead to injuries;
6. The machine is only approved for indoor installation and use. Outdoor installation is prohibited;
7. Only trained operators are allowed to handle the lift machine. All untrained persons must stay away from the workplace. Never allow untrained persons to handle or operate the machine;
8. Use the lift properly. Use the lift in the correct way;
9. Warning! Keep persons and objects from the lift when lifting the a vehicle;
10. If the vehicle is at risk of falling, make sure no one is around the lift;
11. Before preparing to approach or service the vehicle, ensure that the safety device is in effect;
12. Dress appropriately when operating machines, and consider wearing non-slip steel-toe shoes for safety;
13. Beware of electric shock. In order to protect the operator from electric shock, the lift in use must be grounded. Do not connect the green wire to the terminal. This is the ground wire;
14. Danger! The power supply used in this type of lift has high voltage. Please disconnect the power supply before any circuit repair. Unplug in case the power supply is accidentally switched on during maintenance;
15. Warning! There is a risk of explosion. There are parts in the equipment that produce arc light and spark. Do not operate near flammable gas. This machine should not be placed in the lounge or basement;
16. Maintain with care. Keep the machine clean for better and safer operation. Perform

proper lubrication and maintenance procedures according to the manual. Keep handles or buttons clean, dry, and free of oil;

17. Stay alert. Use common sense to observe what you are doing and stay alert;
18. Check for damaged parts. Check for adjustments to moving parts, damage to parts, or anything that may affect their operation. Do not use the machine if the parts are damaged;
19. Do not remove relevant safety parts from the machine. Do not use a lift if it is damaged or missing;
20. Operate the lift only at temperature between 41°F to 104°F (5°C to 40°C).

 **DANGER** Be very careful when installing, operating, maintaining or repairing this equipment. Failure to comply may result in property damage, product damage, injury or (in very rare cases) death. Ensure that only authorized personnel operate the equipment. All repairs must be carried out by an authorized technician. Do not modify the machine, this voids the warranty and increases the probability of personal injury or property damage. Ensure to read and follow this instructions on the label.

I. PRODUCT FEATURES AND SPECIFICATIONS

408-P FEATURES

- Single-cylinder drive and cable transmission.
- Single-point manual safety release enhances the convenience and reliability of descent operations.
- Both automatic mechanical primary safety device and cable-slack secondary safety device are equipped for enhanced security.
- Optional: Rolling jacks, caster kits
- Non-skid diamond platforms and adjustable safety lock ladders.

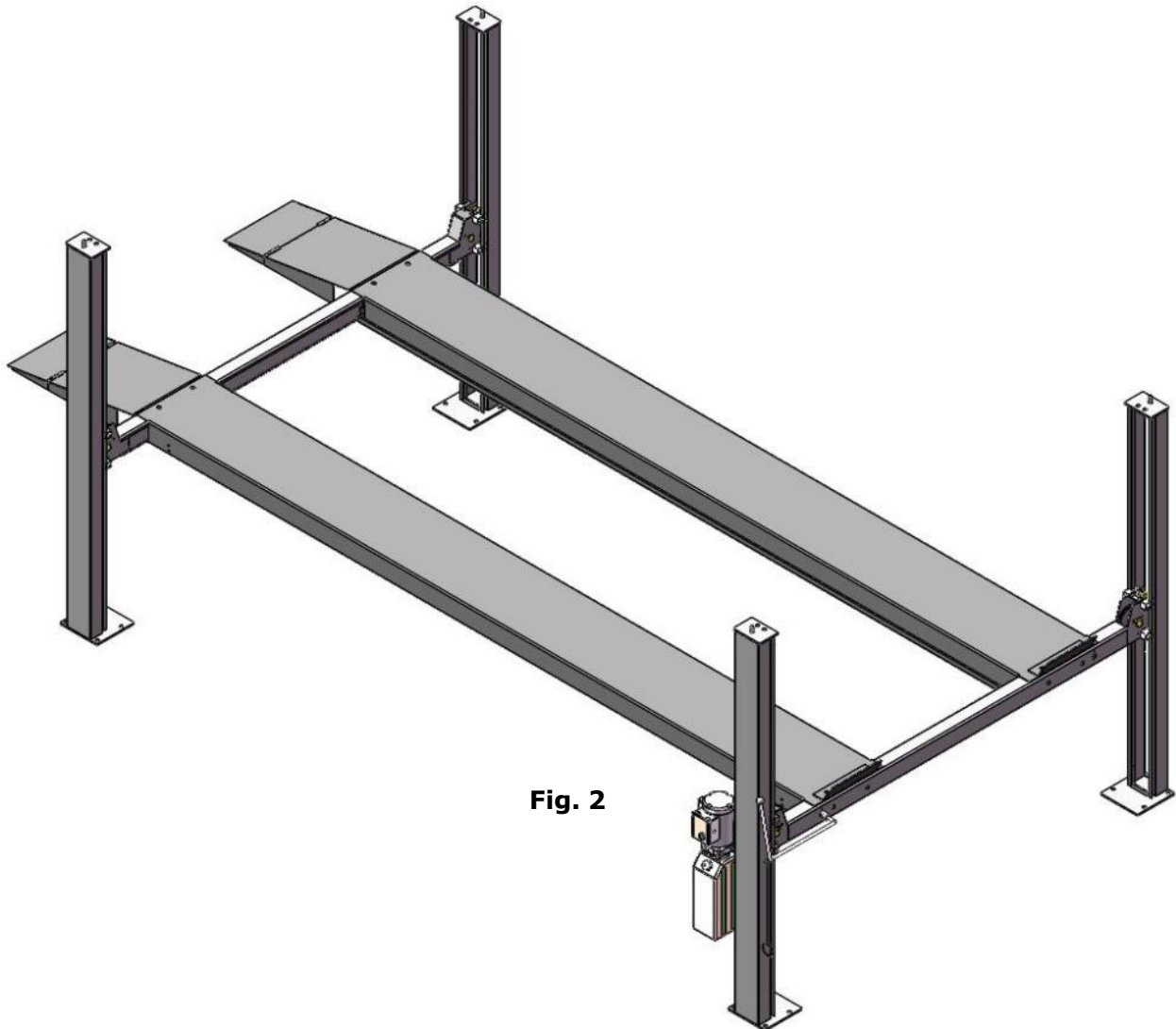


Fig. 2

Dimension

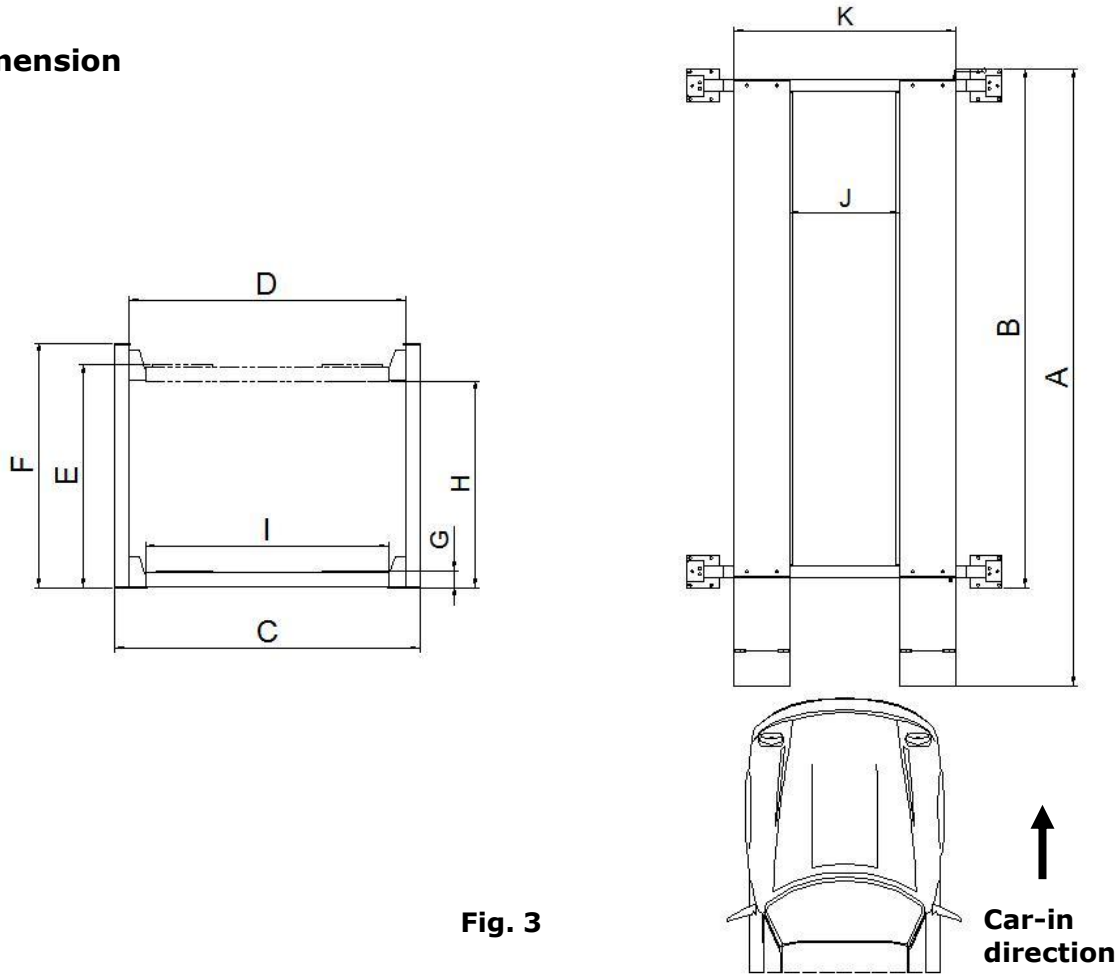


Fig. 3

SPECIFICATION

Model	Lifting Capacity	Lifting Time	A	B	C	D	E	
			Overall Length (Inc. Ramps)	Overall Length (Without Ramps)			Max. Lifting Height	Max. Locking height
408-P	8000lbs	98s(110v) / 40s(220v)	207 1/4"	173 7/8"	102 1/2"	92 7/8"	73 3/4"	70 9/16"

F	G	H		I	J	K	Motor
Overall height	Min. height	Max. height underneath runway	Max. Locking height underneath runway	Drive Through Width	Width between runway	Outside edge of runways	
82 7/8"	6 1/8"	69"	65 13/16"	81 5/8"	37"	74 3/8"	1.0HP/110V 2.0HP/220V

⚠Warning When driving the vehicle into the lift, make sure it is positioned in middle of runways. Any hit of the lift could result in damage to either the vehicle or lift.

II. INSTALLATION REQUIREMENT

A. TOOLS REQUIRED

- ✓ Rotary Hammer Drill ($\Phi 19$)



- ✓ Hammer



- ✓ Level Bar



- ✓ Adjustable Spanner (12")



- ✓ Wrench set

(10#, 13#, 14#, 15#, 17#, 19#, 24#, 27#, 30#,))



- ✓ Ratchet Spanner With Socket (28#)



- ✓ Carpenter's Chalk



- ✓ Screw Sets



- ✓ Tape Measure (7.5m)



- ✓ Pliers



- ✓ Lock wrench



- ✓ Socket Head Wrench (3#, 5#, 8#)



Fig. 4

B. Equipment storage and installation requirements.

- 1 . Store the equipment in a dry, non-moldy, non-flammable environment.
- 2 . The lift is generally approved for indoor installation and use. If need outdoor installation, the optional motor protect cover is required. (Kits No.: 40810)
- 3 . When installing the device, take safety precautions according to the instructions to avoid device damage.
- 4 . During installation, all parts should be fastened to ensure the stability and smooth operation of the machine.
- 5 . After installation, the whole machine should be checked to make sure that every component is working properly.

C. The equipment should be unloaded and transferred by forklift.

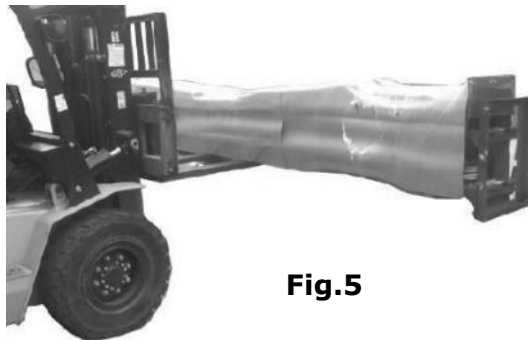


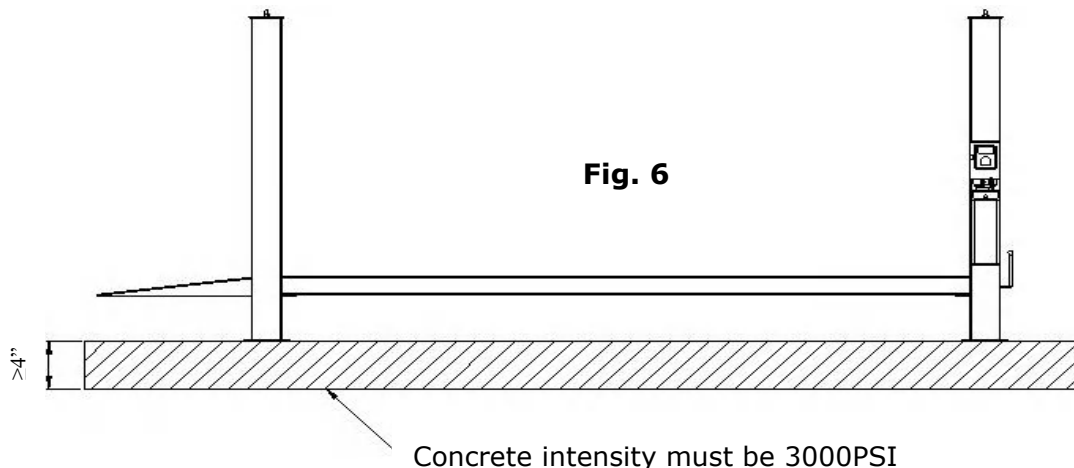
Fig.5

D. SPECIFICATIONS OF CONCRETE (See Fig. 6)

Specifications of concrete must be adhered to the specification as following.

Failure to do so may result in lift and/or vehicle falling.

1. Concrete must be thickness 4" minimum and without reinforcing steel bars, and must be dried completely before the installation.
2. Concrete must be in good condition and must be of test strength 3000psi minimum.
Solidify at least 15 days.
3. Floors must be level and no cracks.



E. POWER SUPPLY

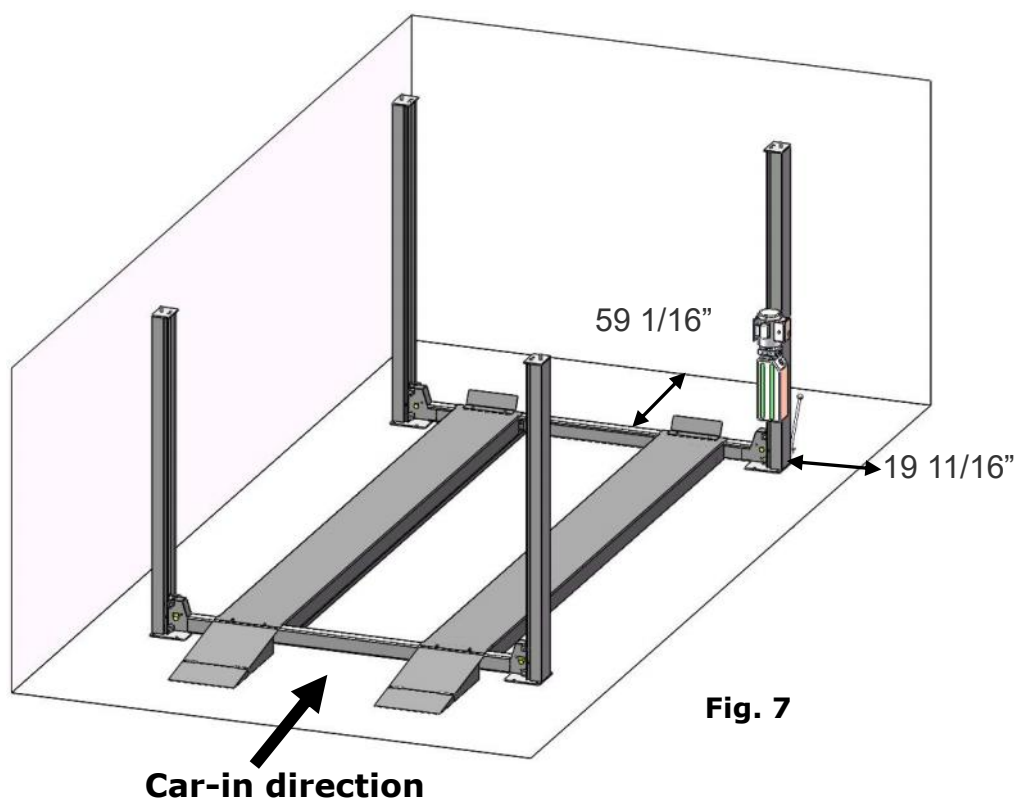
1. You are required to use a licensed and qualified electrician for the installation process.
2. The power supply capacity must be more than 3.0HP, with a cord larger than 12AWG, and must be properly grounded.

⚠ DANGER All electrical wiring must be performed by a licensed and certified electrician. Attempting to connect the circuit without proper certification may result in damage to the lift or electrocution, resulting in serious injury or death.

III. INSTALLATION STEPS

A. Location of installation

1. Installation space: Ensure there is enough space for the lift. Accurately measure the front, back, side and top mounting dimensions and refer to the below figure data .
2. Overhead obstacle: Check for overhead obstacles, such as building supports, heaters, lights, wires, and low ceilings, etc..
3. Installation: The lift is only approved for indoor installation and use, and outdoor installation is prohibited.
4. Floor: Install lift only on flat concrete floor. Do not install on asphalt or any other surface.



⚠ CAUTION Installing the lift on a surface with slopes more than 3° could lead to injury or even death. This lift is designed for installation on a flat and level surface only. (Defined as no more than 10mm difference over the installation area). If the floor cannot be leveled, consider changing installation locations.

B. Check the parts before assembly.

1. Packaged lift and hydraulic power unit (See Fig. 8).



Fig. 8

2. Move the lift aside with a fork lift or hoist, open the package and check the parts according the shipment list. (See Fig. 9).

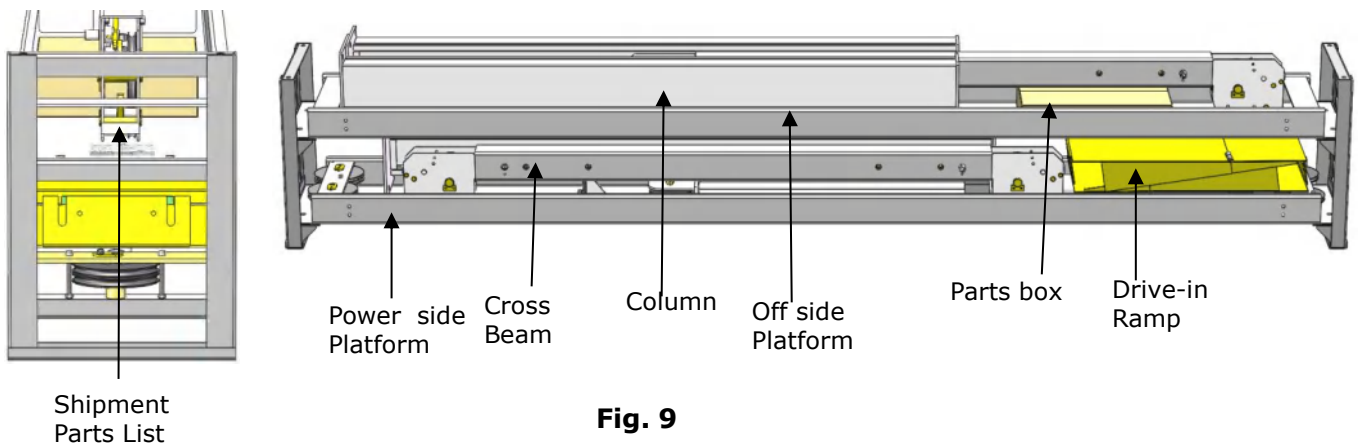


Fig. 9

3. Move the columns and cross beams aside to the installation position. (see Fig 10)

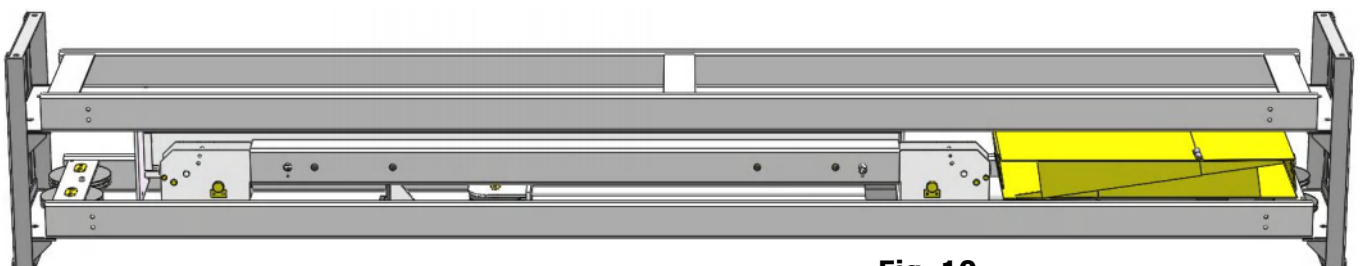


Fig. 10

4. Loose the screws of the upper package stand, take off the off side platform, take out the parts inside the power side platform, then remove the package stand.
5. Move aside all the parts to the installation position and check the parts according to the parts list **(See Fig. 11)**.

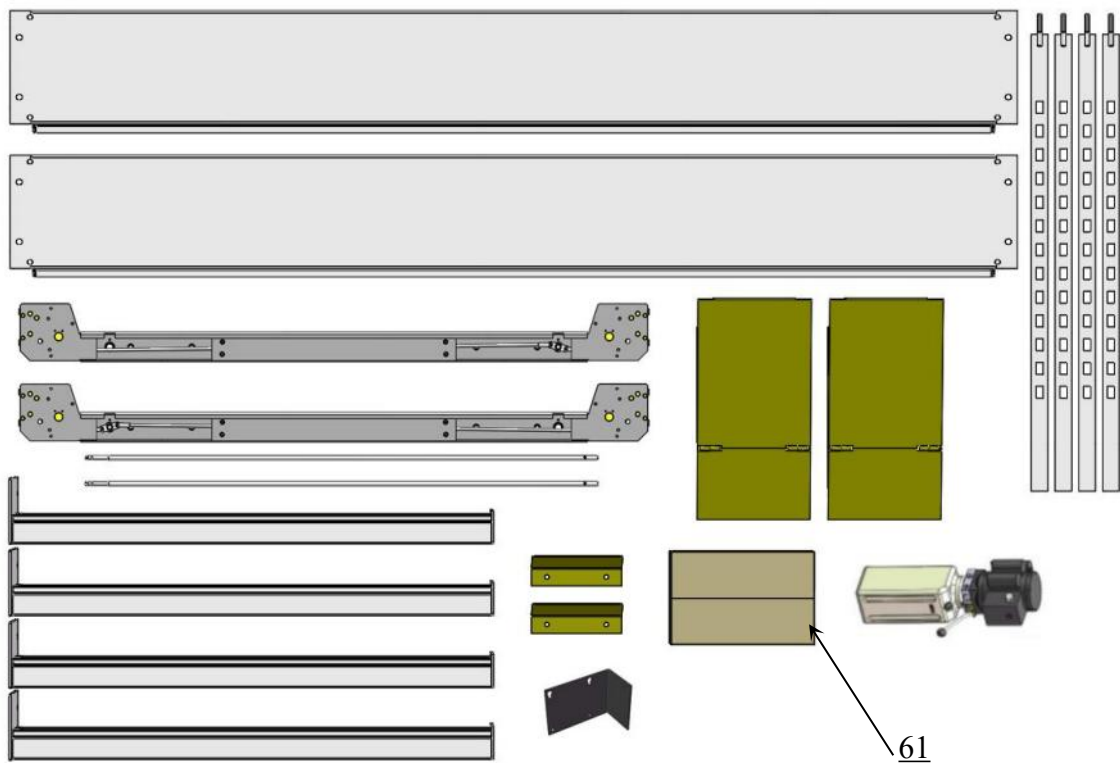


Fig. 11

6. Check the parts of parts box according to the parts box lift . **(See Fig. 12)**.



Fig. 12

7. Check the parts of the parts bag according to the parts bag list (See Fig. 13).

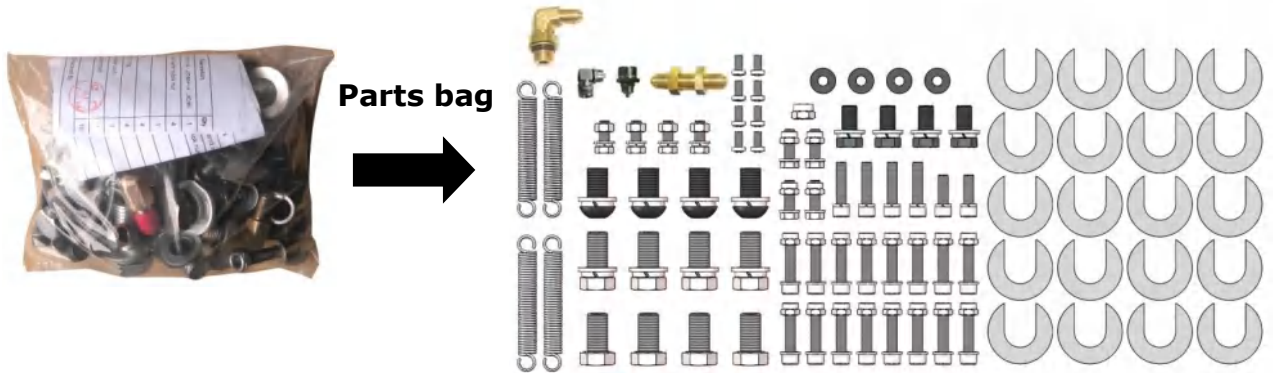


Fig. 13

C. Use a carpenter’s chalk line to establish installation layout (see Fig 14) . Place the posts according to the installation dimension.

Note: Reserve space front and behind the installation site.

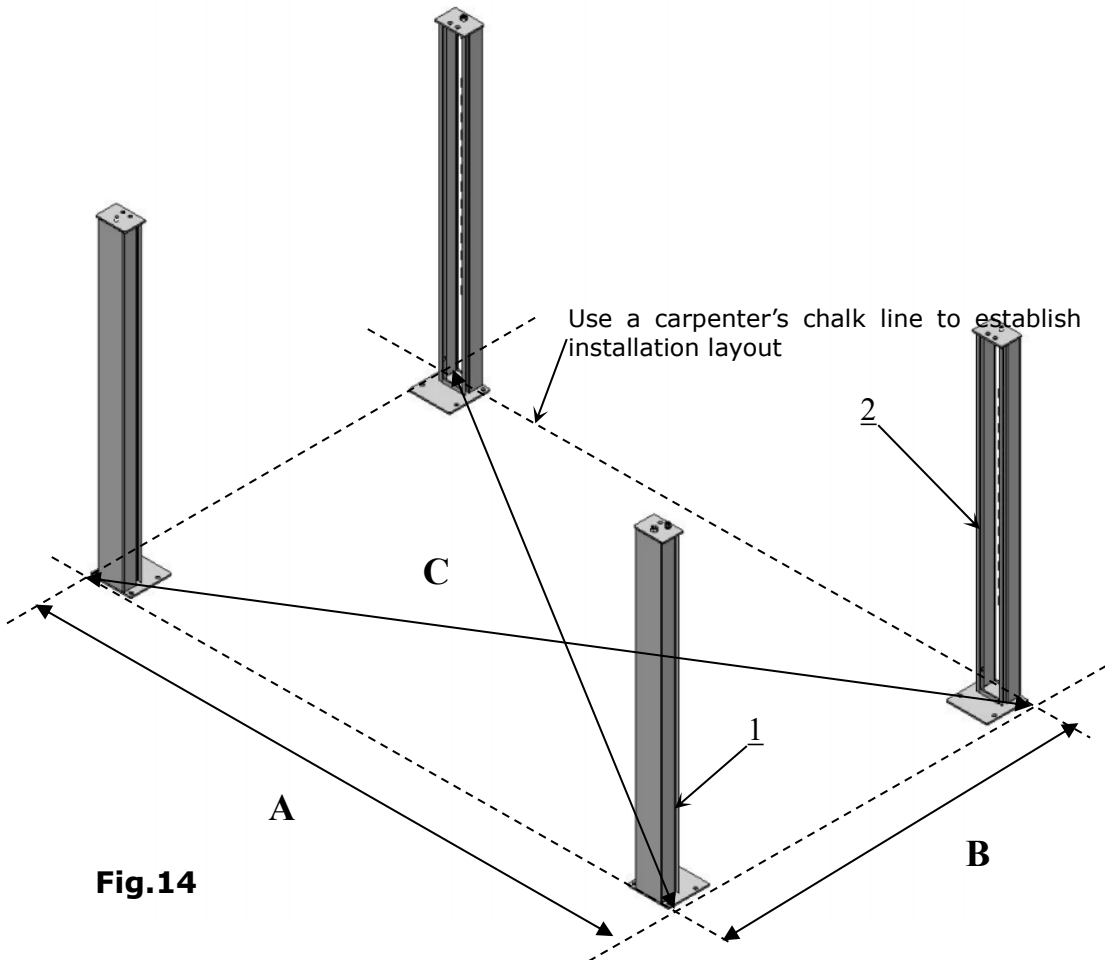


Fig.14

MODEL	A	B	C
408-P	173 13/16"	102 1/2"	201 13/16"

D. Install cross beams (See Fig.15, Fig.16).

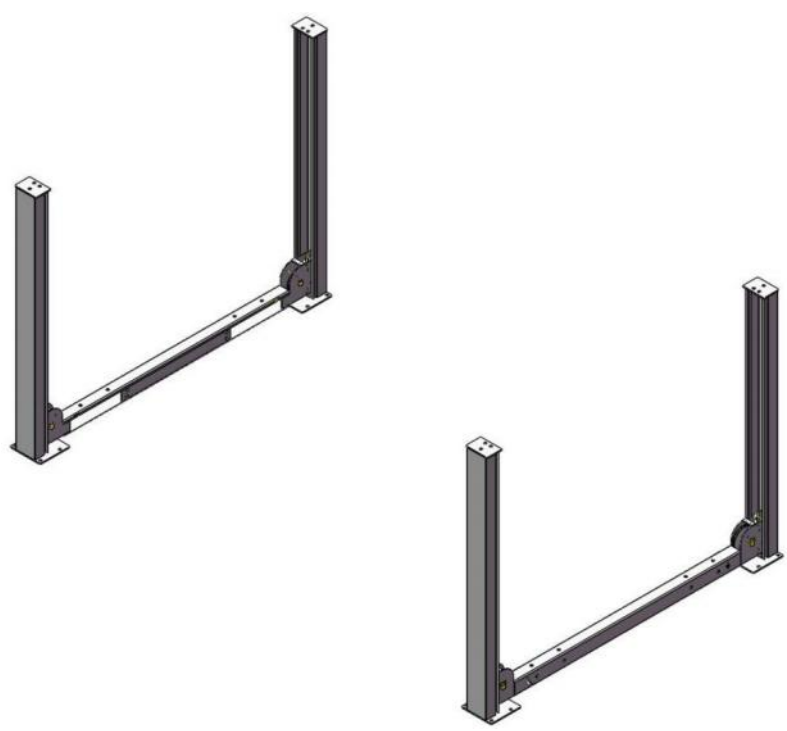
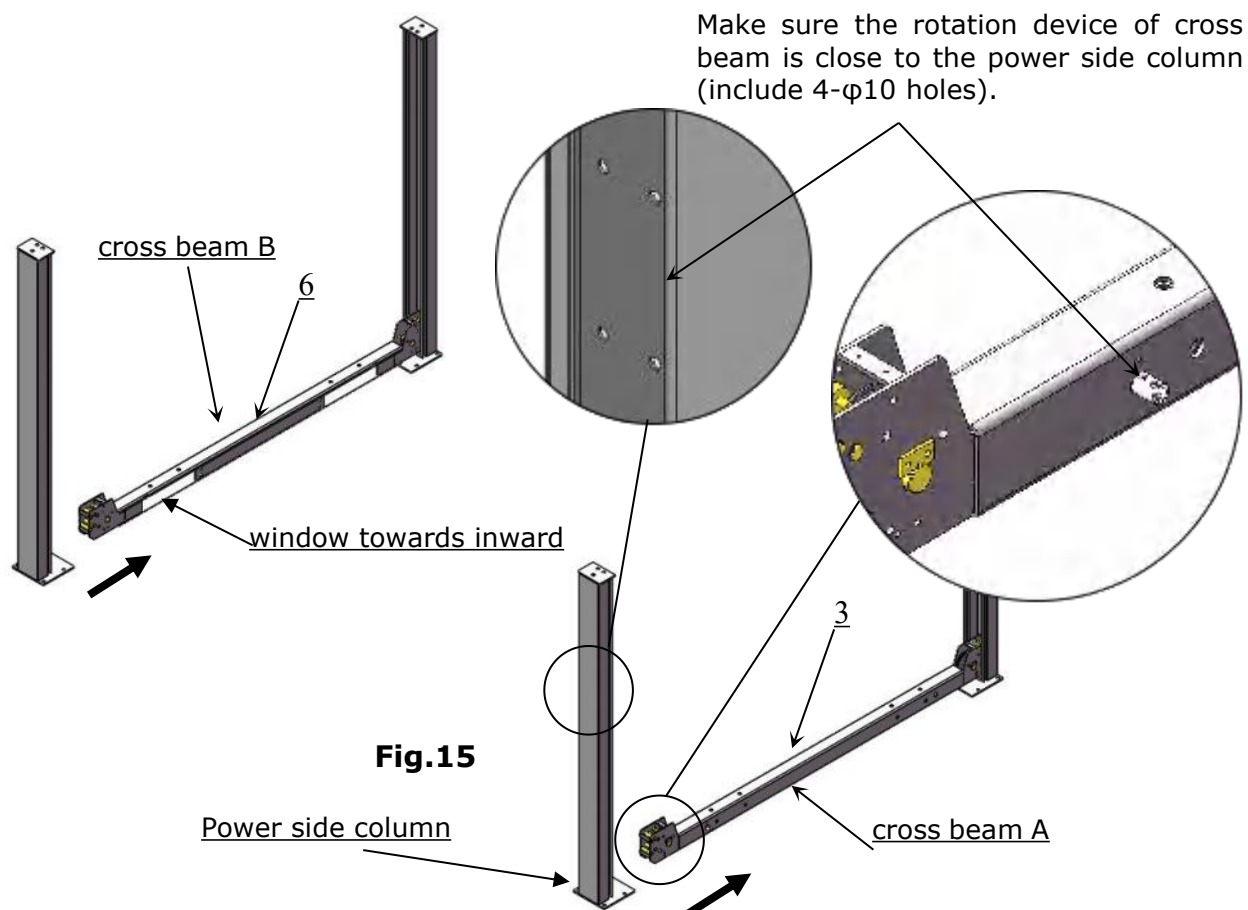


Fig.16

E. Install the Safety ladders.

1. Take off the cross beam protective cover and remove one nut of the safety ladder, adjust the other nuts of four safety ladders to be at the same position. Then install the safety ladders (See Fig. 17).

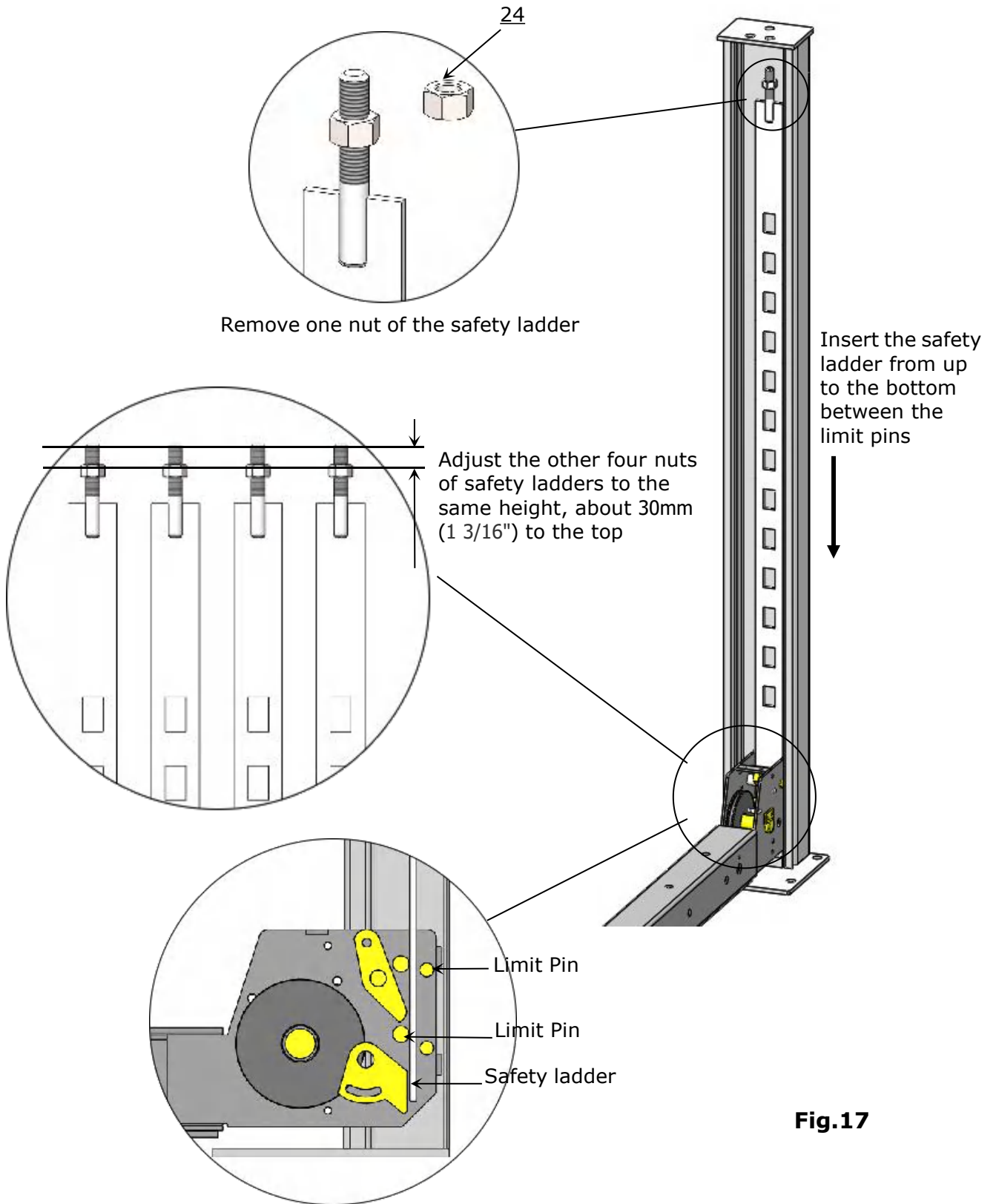
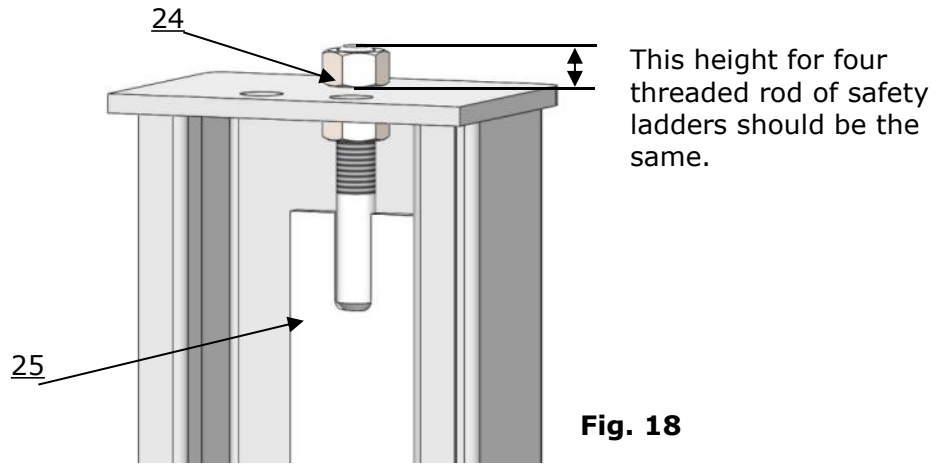


Fig.17

Safety ladder is inserted between limit pins of the cross beam

2. Install safety ladders (See Fig. 18).



Safety ladder across the hole of the top plate, then tighten the two nuts

F. Put the cross beams at the same height and lock on the safety ladder (See Fig. 19).

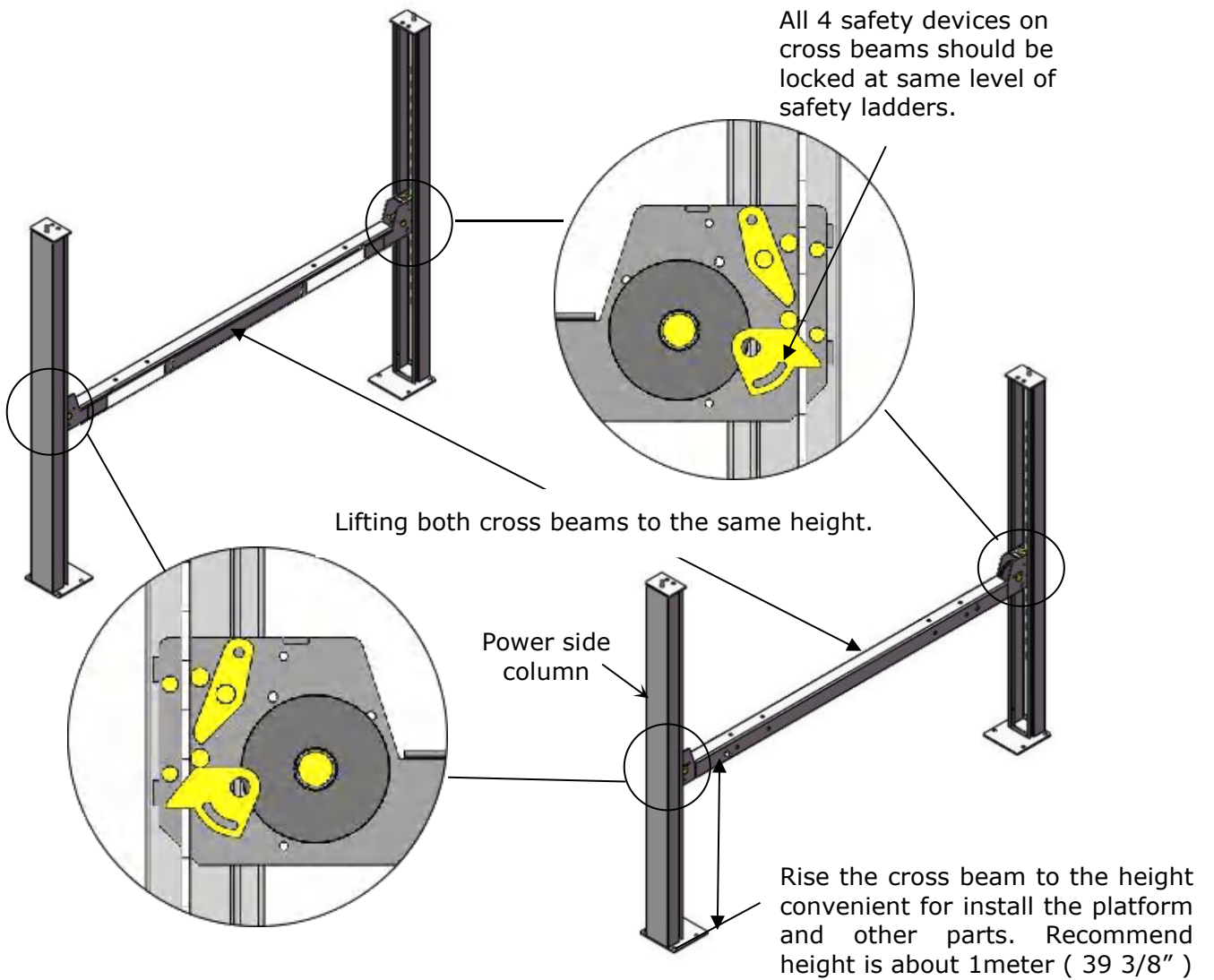


Fig. 19

G. Install power side platform.

1. Install the power side platform on the cross beams by a forklift or manually, offset the cross beams leaning outward until the pulleys of both platforms can enter into the cross beam windows (**See Fig.20**), align holes on the power side platform and cross beam, then screw up the bolts.

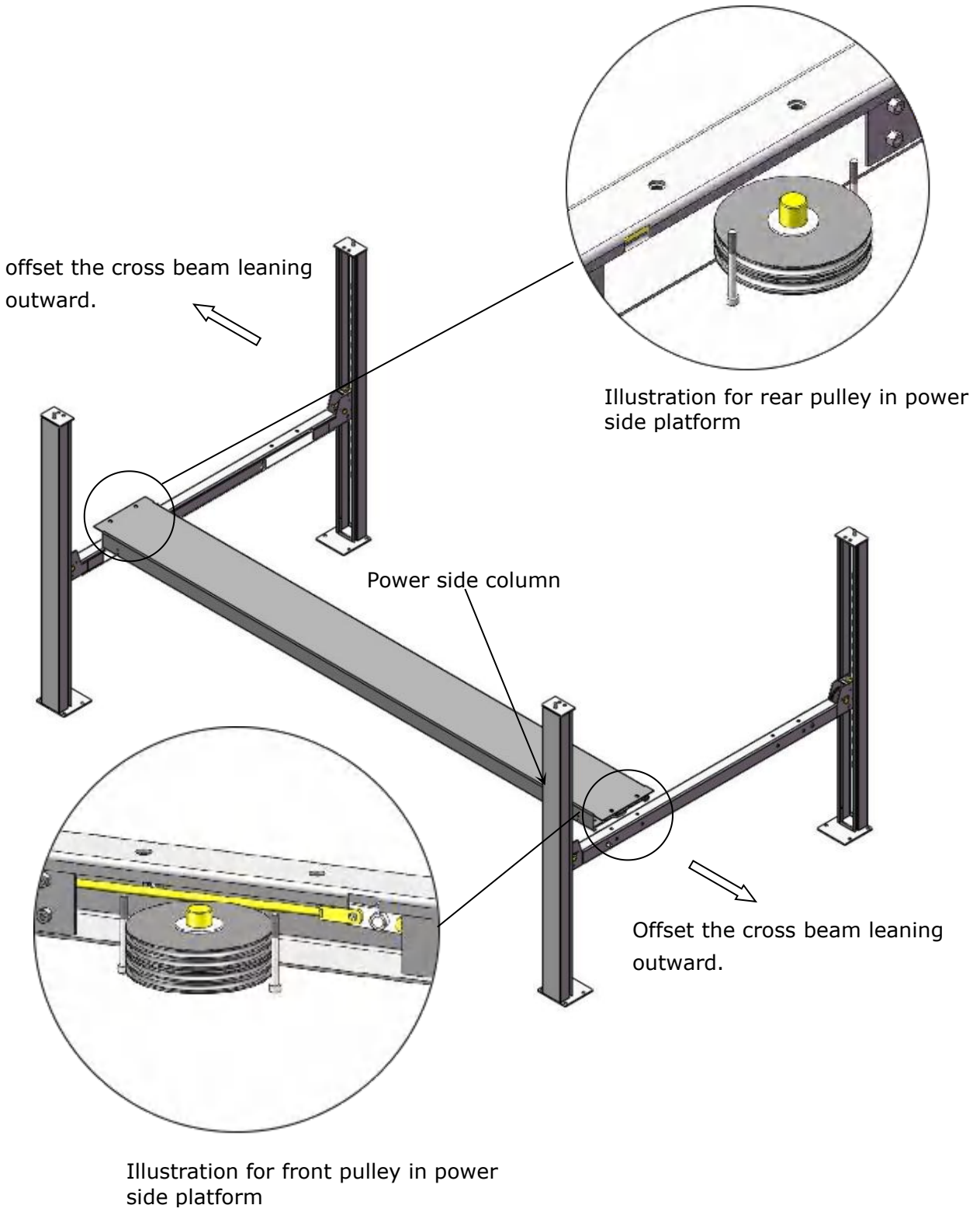


Fig. 20

2. Install connecting bolts of tire stop and platforms: Tighten cross beam B and platform with round head socket bolts, tighten cross beam A, platform and tire stop plate with hex bolts. (Note: Tire stop plate should be installed at the front direction. Hex bolts are used for tire stop plate, and the round head socket bolts are for the other side), **See Fig.21**

Notice: The lift is designed for drive-in from either direction of cross beams. The diagram below shows the drive-in direction from cross beam B. If driving in from cross beam A direction, make sure the tire stop plate is installed on cross beam B with hex bolt. Install the power unit accordingly and place the control handle on the same side as the power unit.

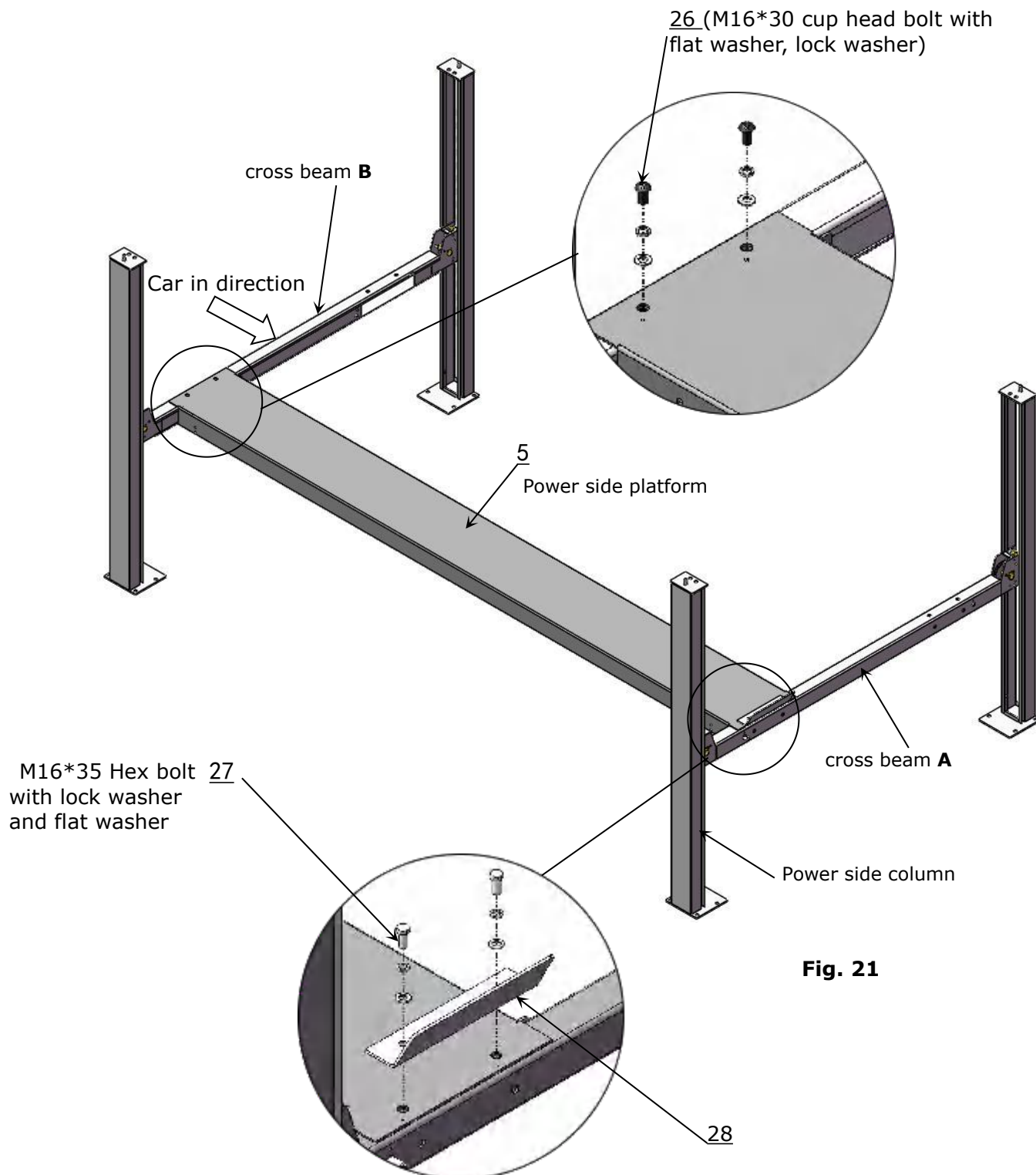
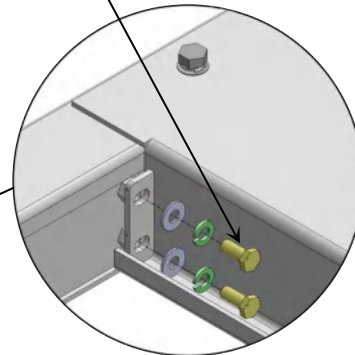


Fig. 21

H. Install offside platform and limit slider (See Fig. 22).

Apply the same installation method to off side platform as used for power side platform.

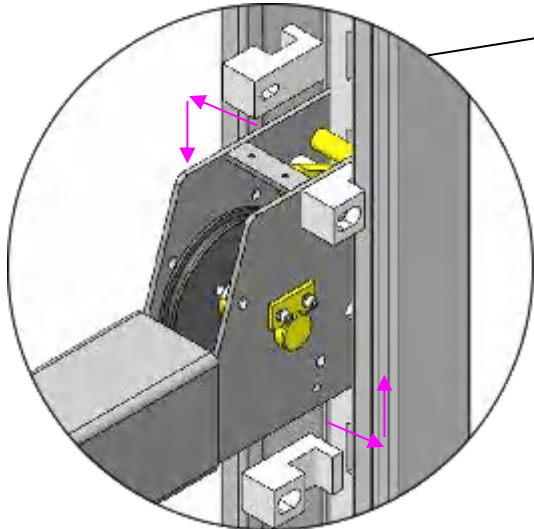
29 M12*20 Hex bolt with lock washer and flat washer



Install platform strengthened connecting bolts.

4

Power side column



Pass the slide block along the bend edges of column to the gap between column and cross beam. Align to the mounting holes of cross beam and bolt with cross beam.

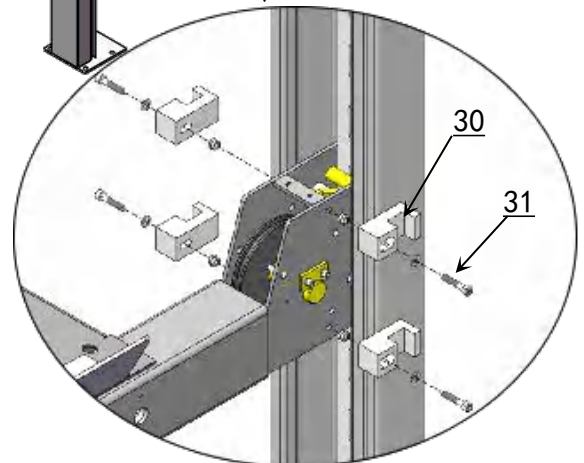
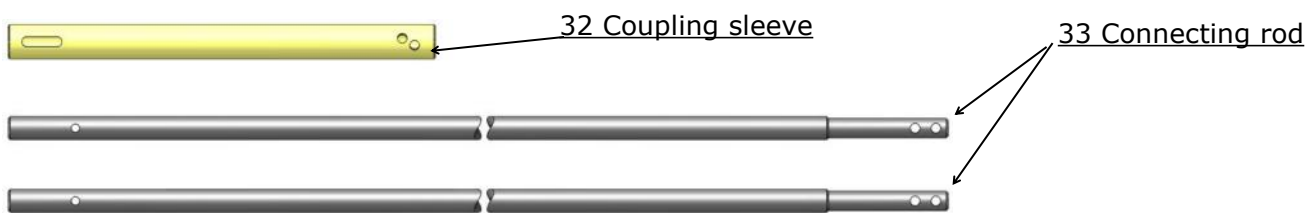


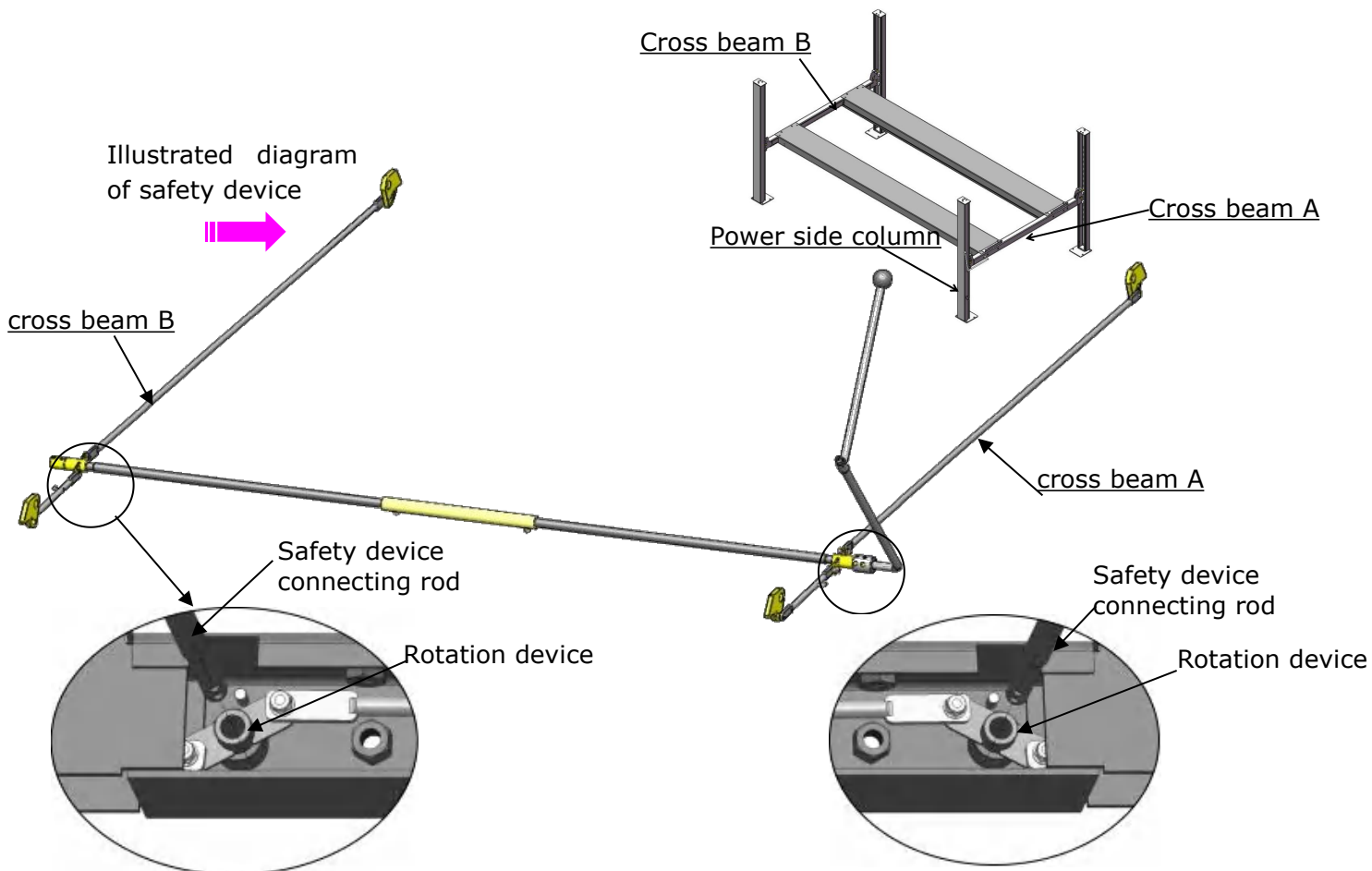
Fig. 22

Note: DO NOT completely tighten the limit sliders, loosen 1/4 turn after tighten the socket bolt and nylok nut .

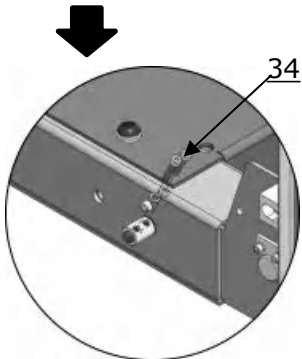
I. Install safety device connecting rod, release handle and coupling sleeve.



1. Install safety device connecting rod and release handle, see fig 23

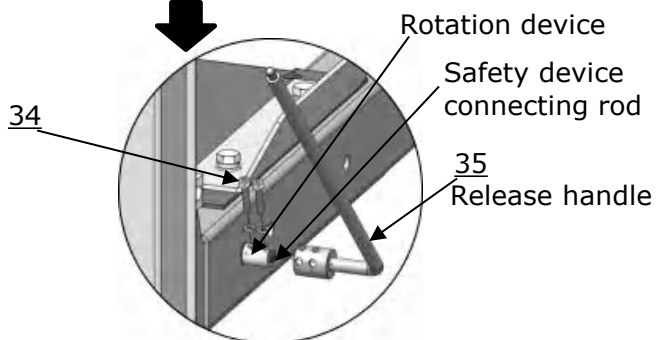


① Pass the end of connecting rod (with 2 holes) through the rotation device of inner side of cross beam B



② Align the mounting hole on the outside of cross beam B, tighten with M8*35 socket bolt with lock washer.

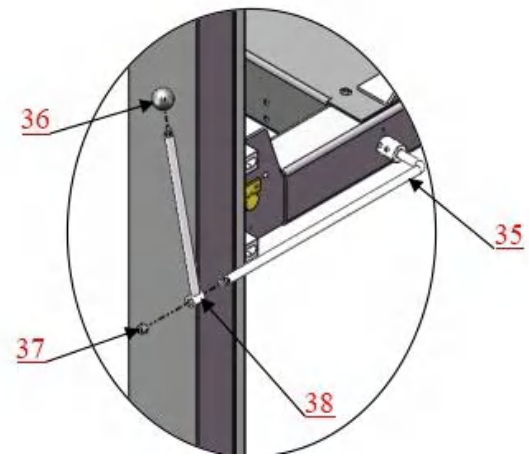
③ Following the same step to install another rod to cross beam A



④ Install Release handle on the cross beam A, align the mounting hole, tighten with M8*35 socket bolt with lock washer.

Fig. 23

⑤ Install extended release handle



2. Install coupling sleeve

2.1, Coupling sleeve installation illustration when power side column is in the position as shown below. See fig 24.

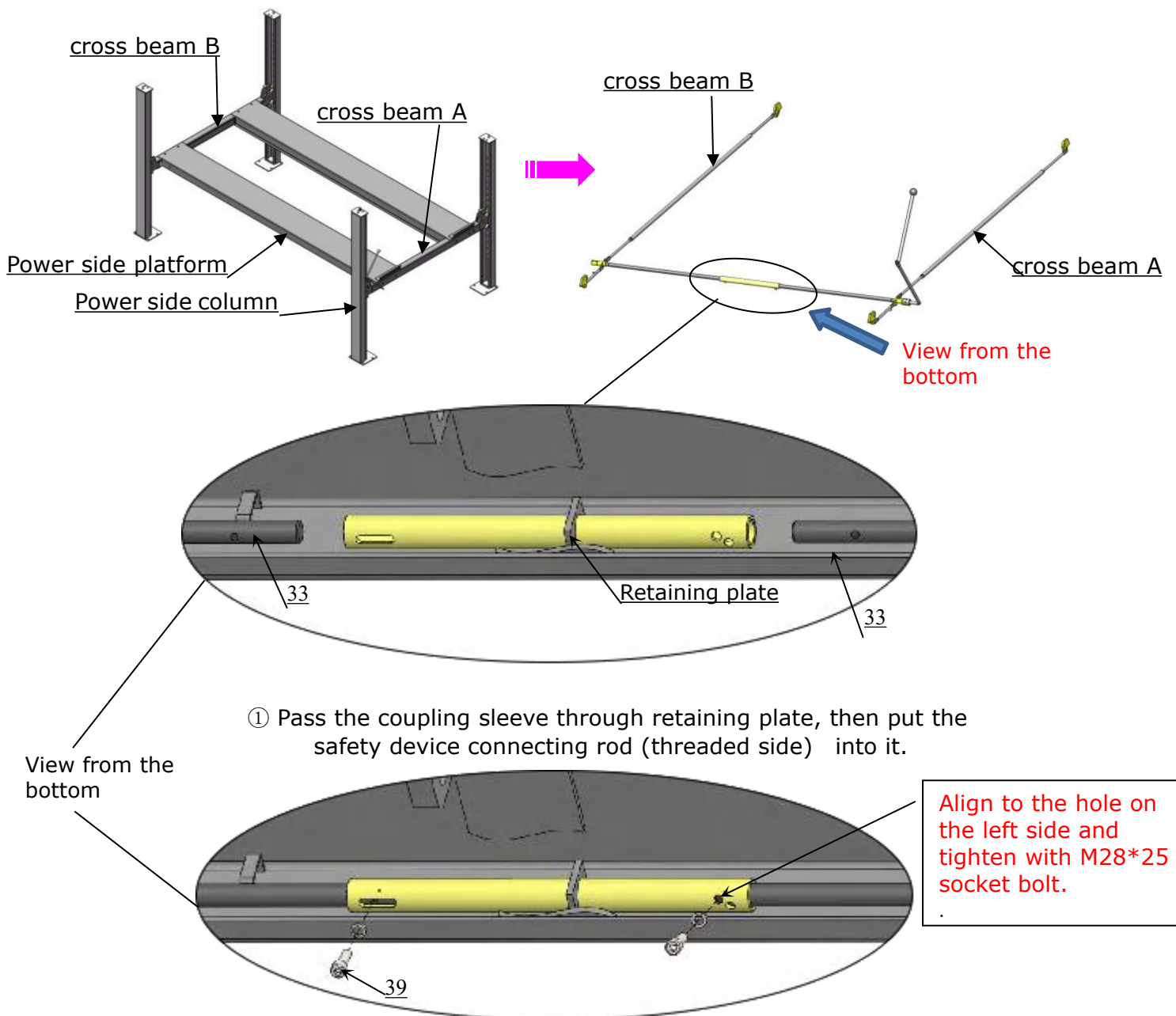


Fig. 24

- ② Align the holes that connecting the connecting rod and coupling sleeve as show above, tighten with M28*25 socket bolt with lock washer.

2.2, Coupling sleeve installation illustration when power side column is in the position as shown below. See fig 25

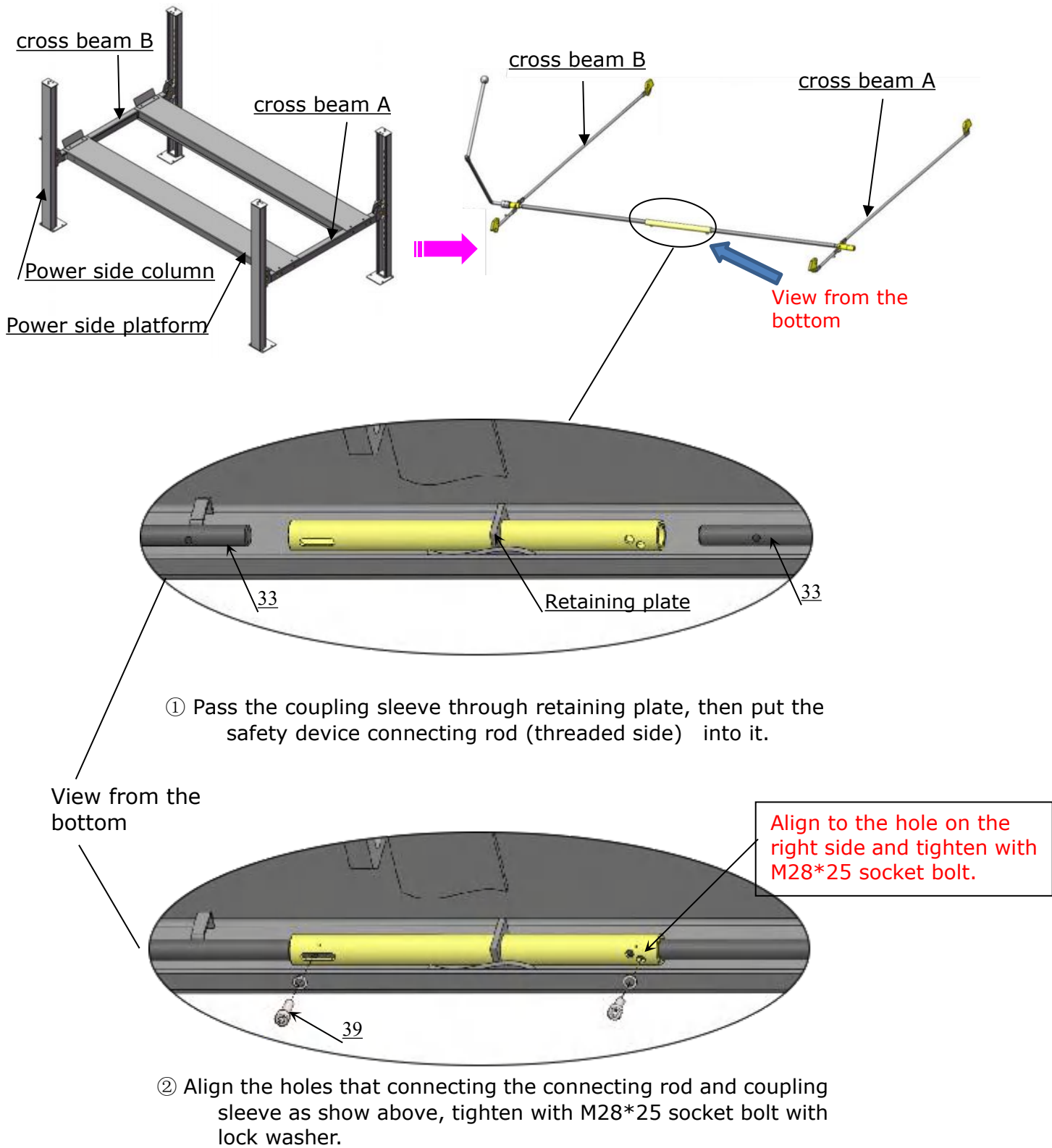
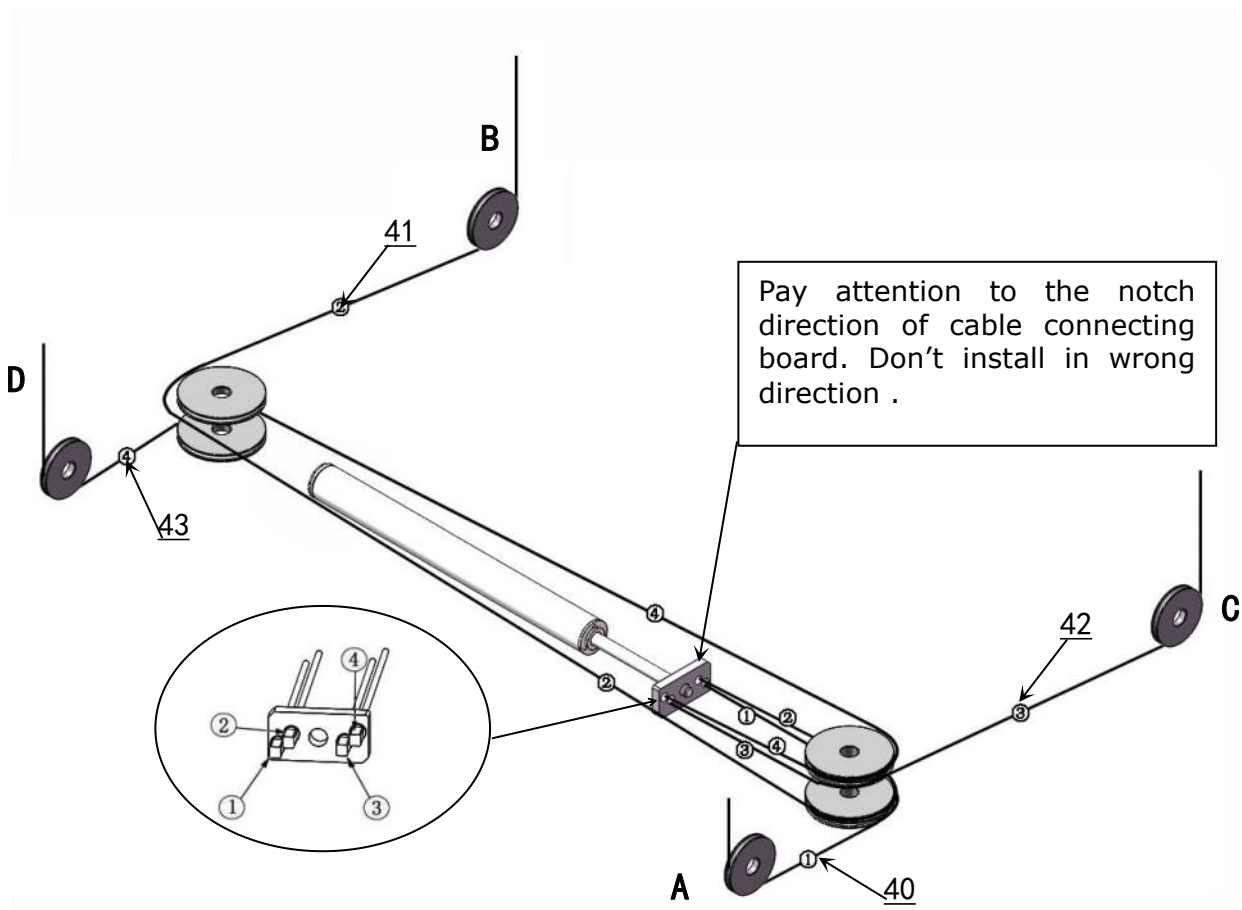
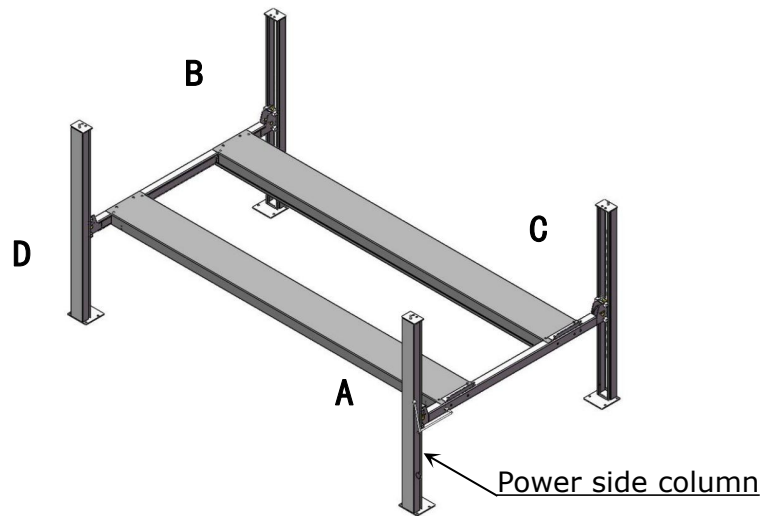


Fig. 25

J. Illustration for cable installation

1. Pass through the cables from the platform to the columns according to the number of the cables (**See Fig. 26**).



**Cable installation diagram
Fig. 26**

NO. Cable	①	②	③	④
408-P Length (inc. cable fitting)	113 3/4"	334 13/16"	170 1/16"	278 15/16"

2. Pass The cables through the cross beam to top plate of columns and screw with cable nuts
(See Fig. 27).

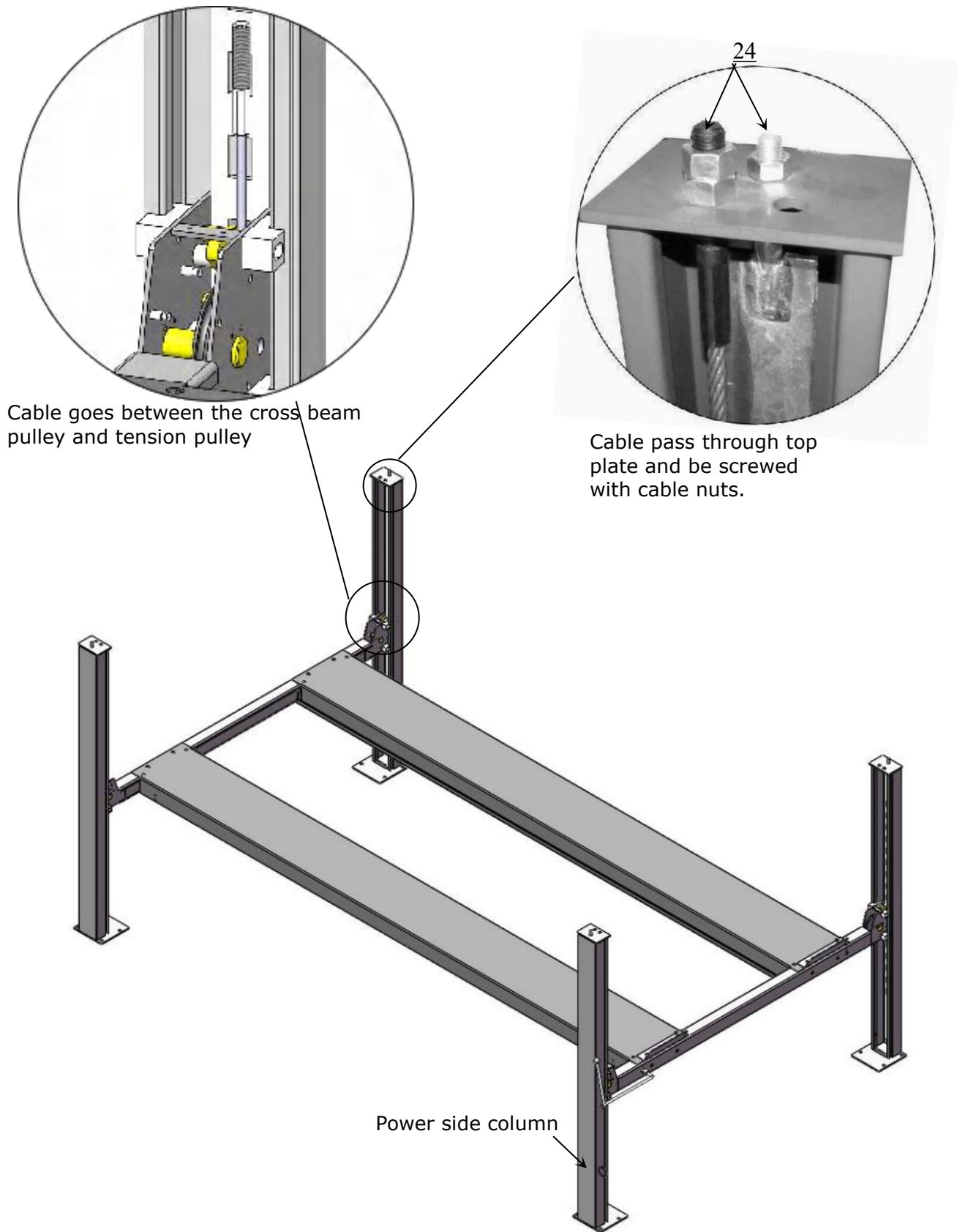


Fig. 27

3. The sketched overview of cables finally installed under platform. (See Fig. 28).

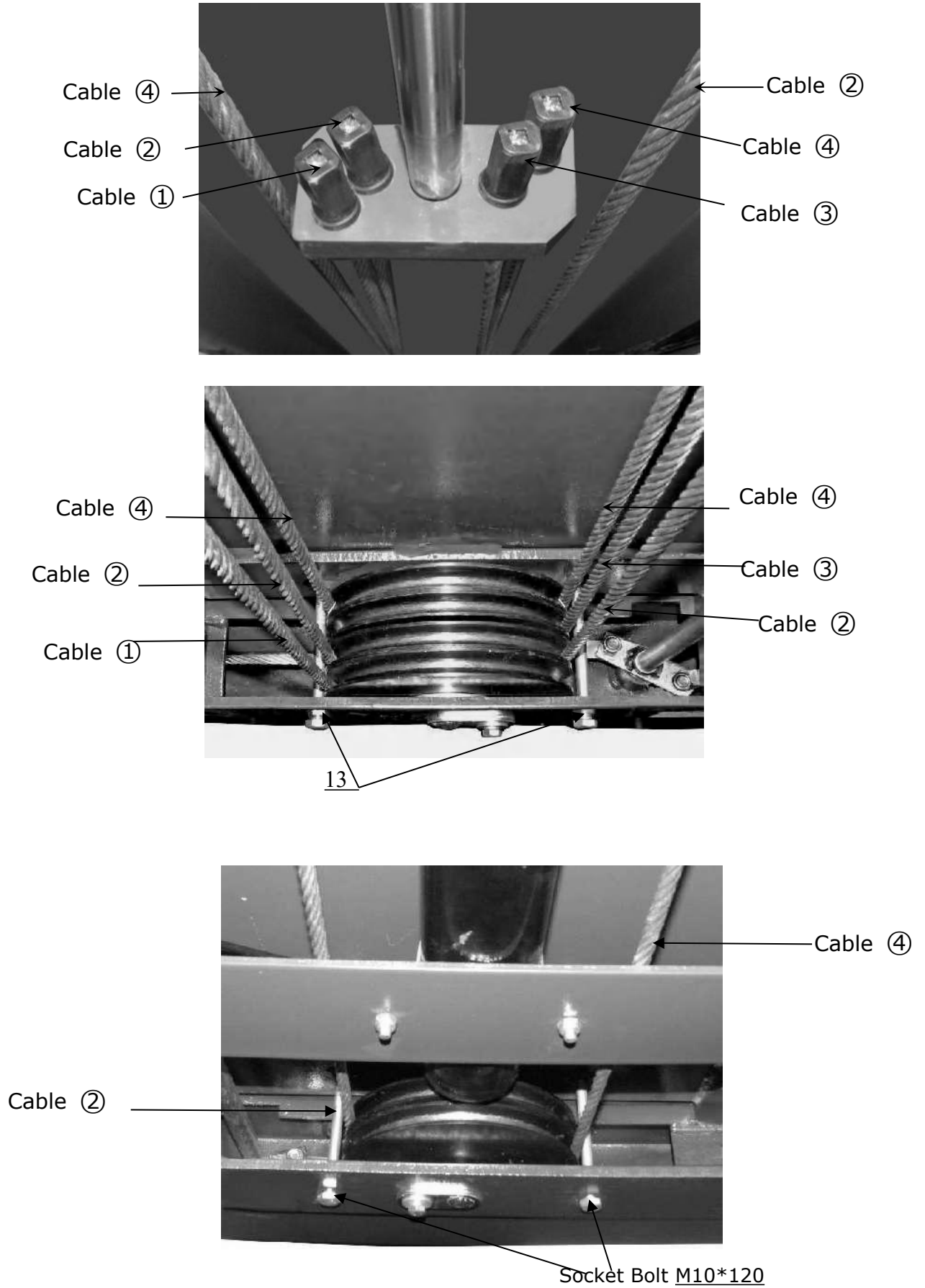


Fig. 28

4. Install tension spring and cross beam protective cover. **(See Fig. 29).**

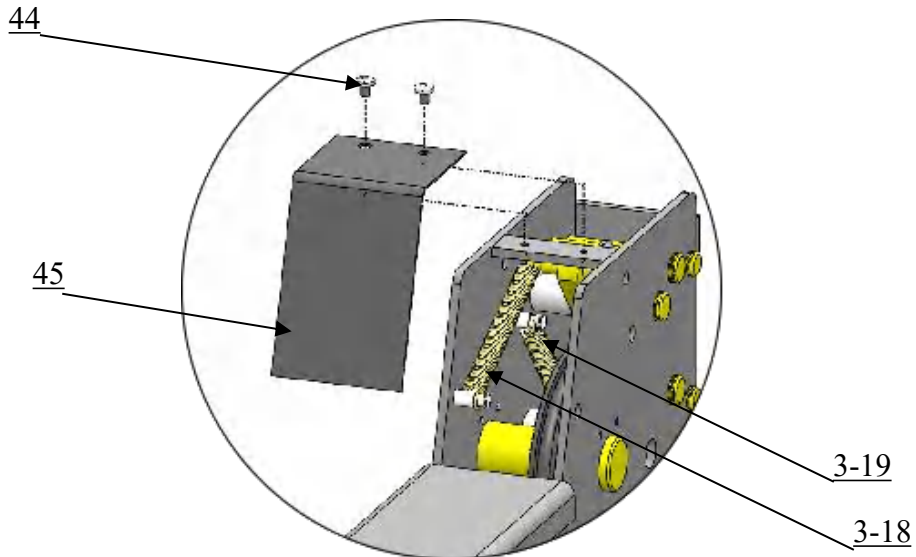


Fig. 29

K. Install power unit

Fixing the motor installing plate to the power side column. And install the power unit to the installing plate. See fig 30.

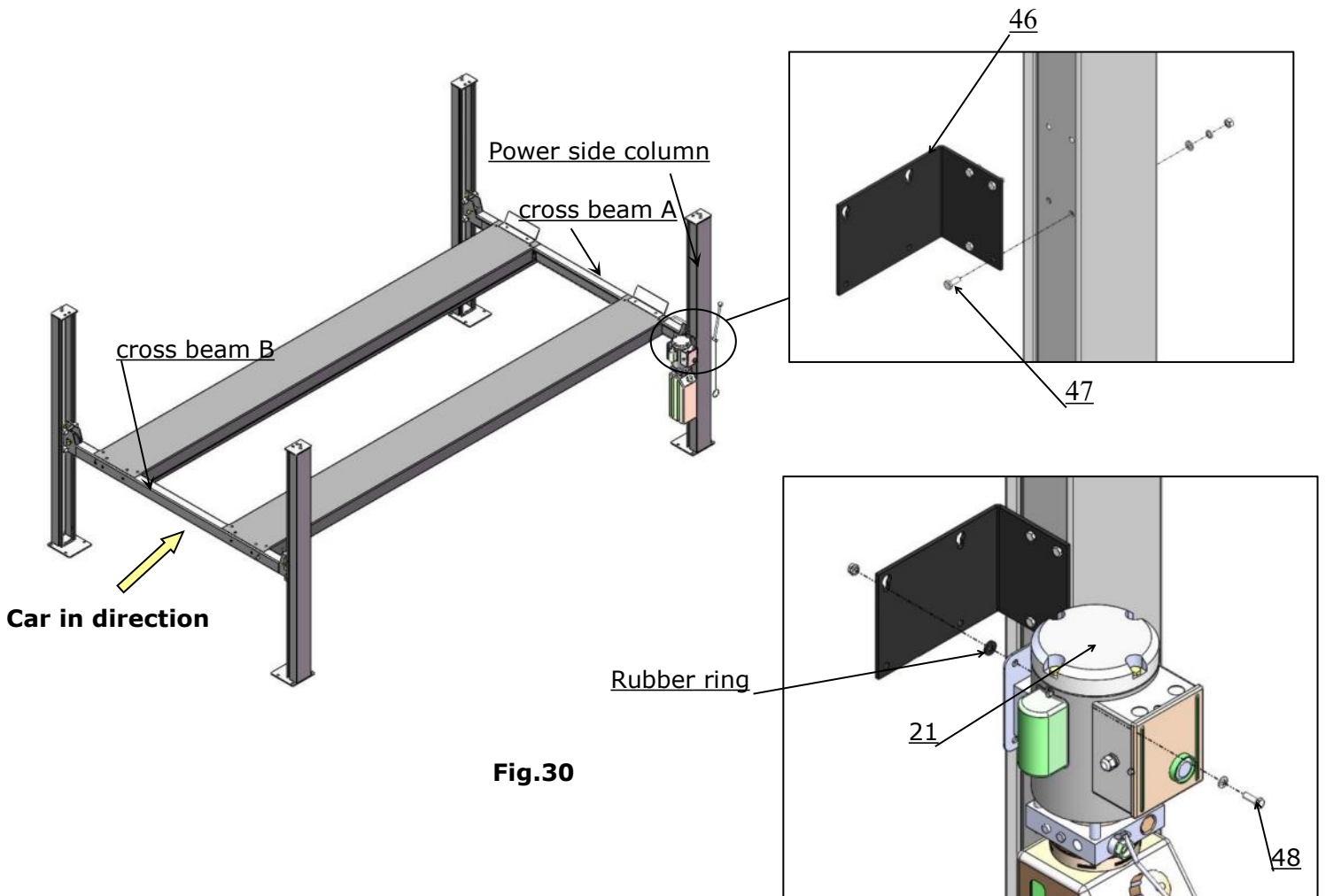


Fig.30

L. Install Hydraulic System

1. For power unit installed to the column that connected to cross beam A (See Fig. 31)

Note: Oil hoses connected to oil cylinder must be passed above the cable and cylinder inlet port should be upward a little to avoid the oil hose scratched by cable.

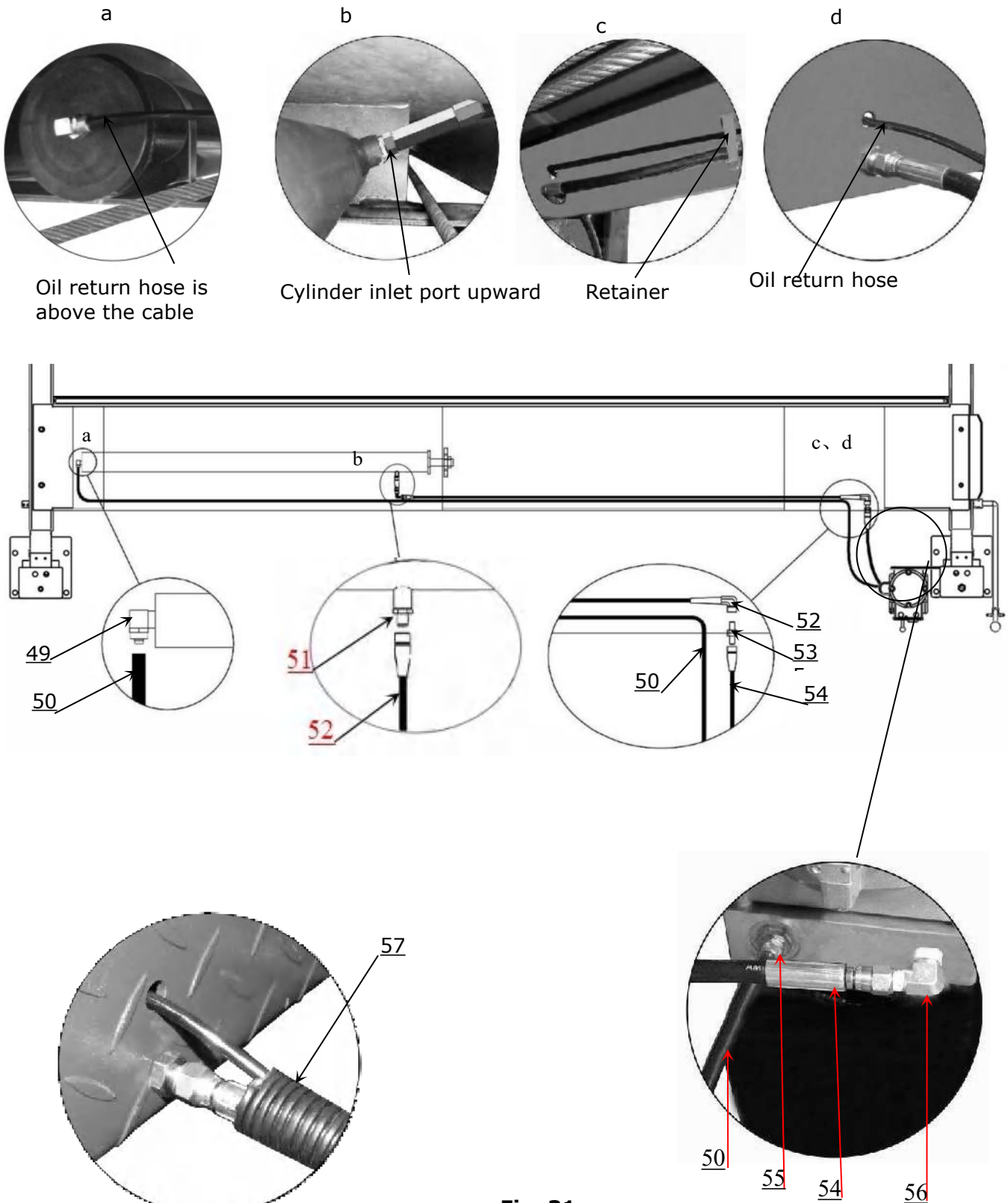


Fig. 31

Pass oil hoses, oil return hoses outside the platform through the bellow pipe, then connect to the power unit.

M. Install the anchor bolts.

1. Check the plumbness of columns with leveling instrument and adjusting with the shims.

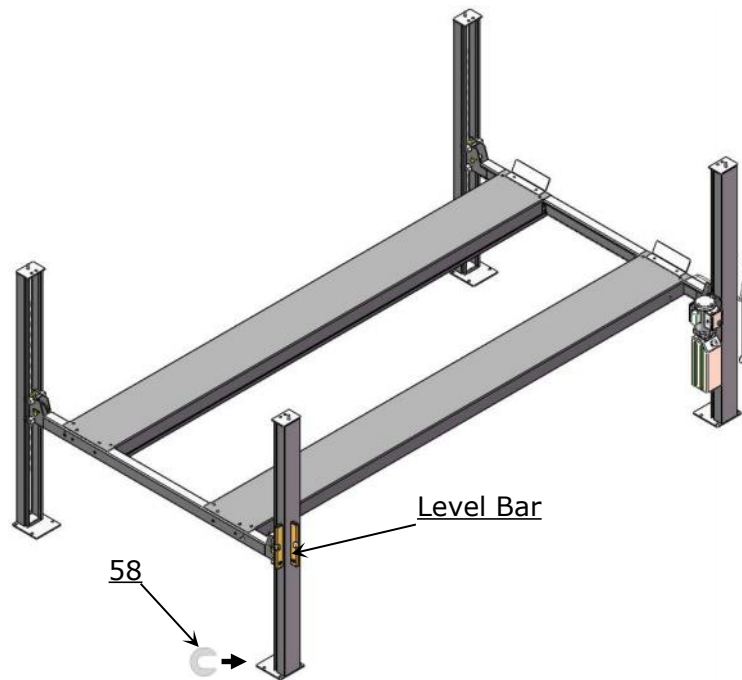


Fig. 32

2. Prepare the anchor bolts (See Fig. 33).

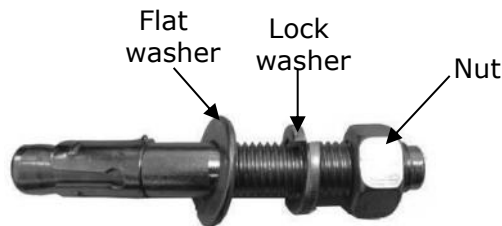


Fig. 33

3. Use the prescribed rotary hammer drill, drill all the anchor holes and install the anchor bolts and tighten all nuts. (See Fig. 34)

Note: The tightening torque for the anchor bolt is 1328 lbf.in , anchor bolts should be driven into the ground at least 3 1/2" .

***Note:** Ensure that the torque of the anchor screws is 1328 of in, and that the anchor screws are driven at least 3 1/2" into the ground.

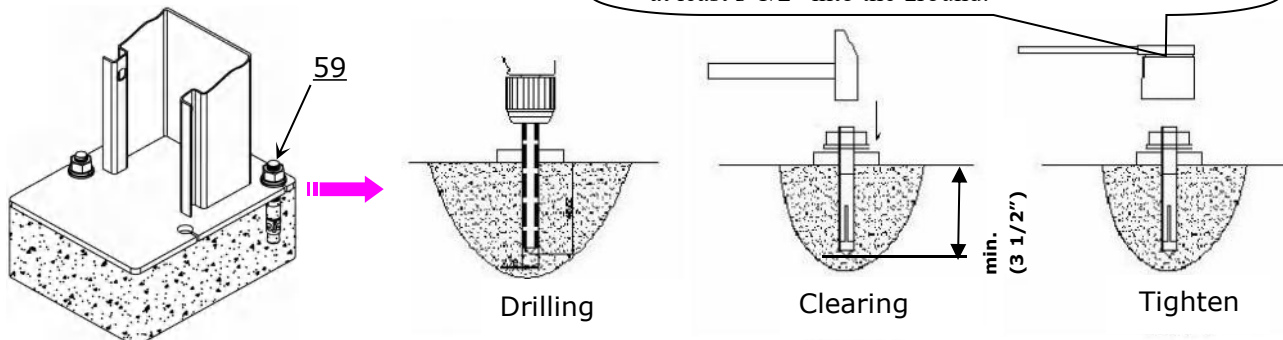


Fig. 34

N. Install foldable drive-in ramp ass., jack tray and plastic oil tray.

Install the M16*30 bolts into the cross beam according to the below diagram, then hang the 4 units foldable drive-in ramps assy. on the bolts. See fig 35.

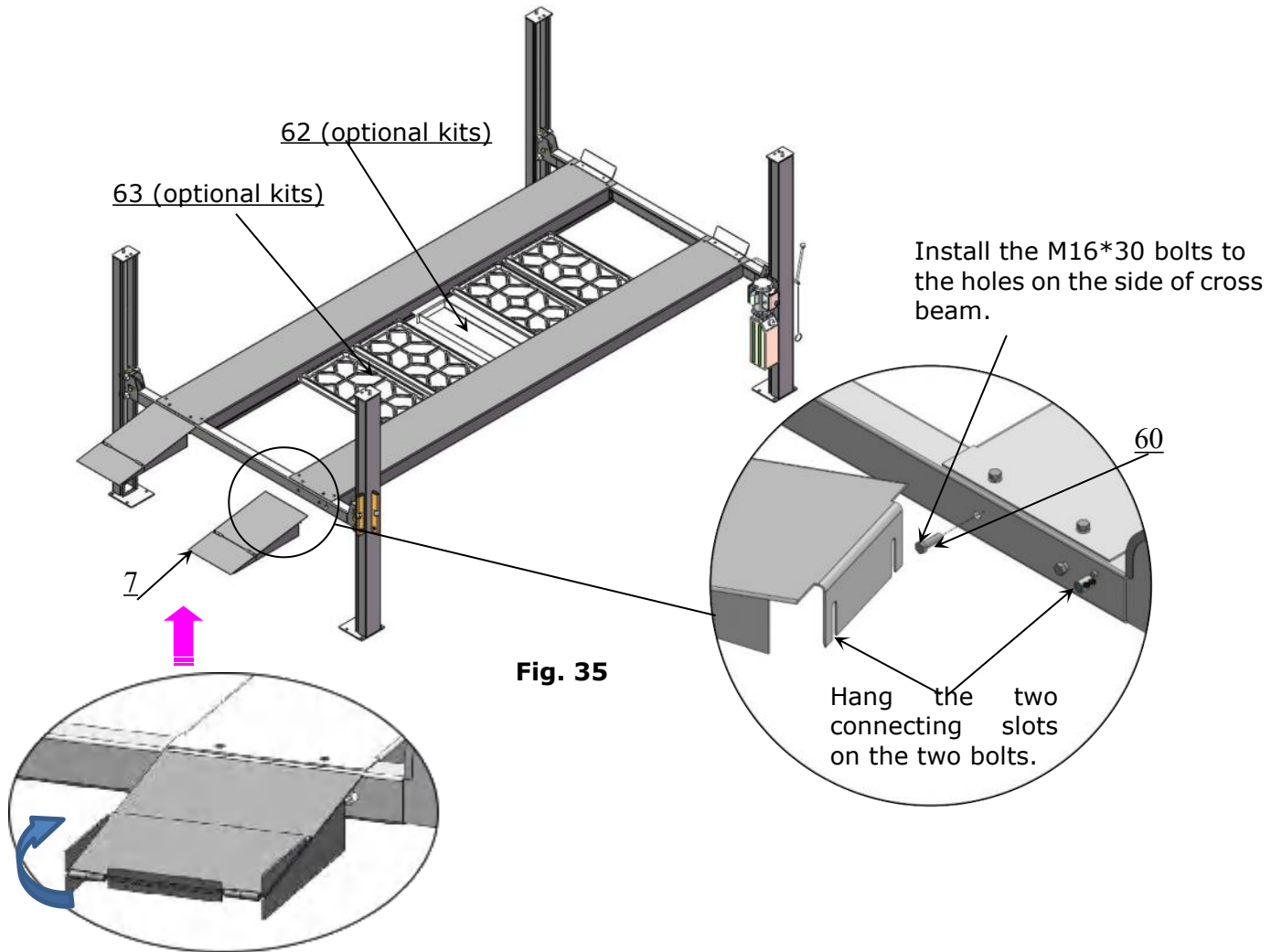


Fig. 35

Fold up the front half of ramps after the car is parked well.

Exploded view of foldable drive-in ramps assembly

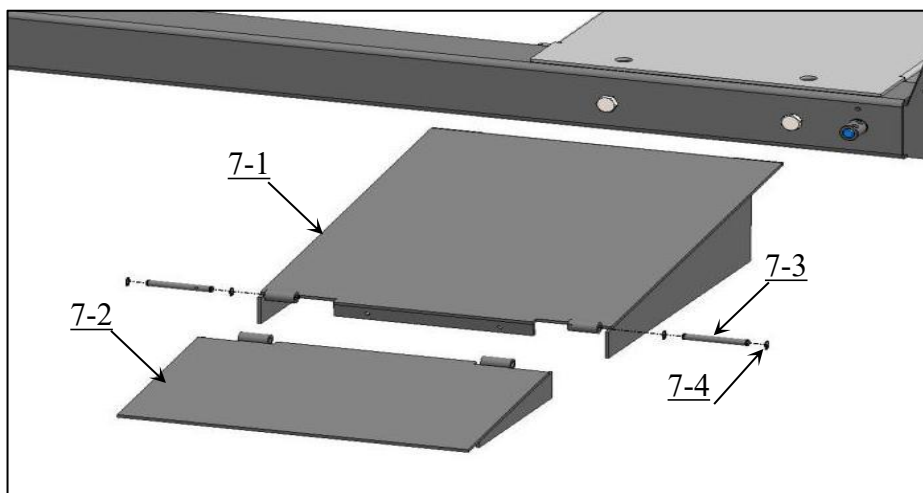


Fig. 36

Parts List of foldable drive-in ramps assembly (1104533025C)

No.	Part Number	Description	Qty
7-1	1104543020A	Foldable drive-in ramps #1	2
7-2	114543021A	Foldable drive-in ramps #2	2
7-3	1104543021	Connect pin	4
7-4	10209010	φ10 Clip ring	8

O. Install Electrical System

Connect the power source according to the data plate of Motor.

Note: For the safety of operators, the power wiring must contact the floor well.

Single phase motor (fig 37)

Connect the two power supply wire (hot wire **L1** and **L3**) to terminals of AC contactor marked **L1**, **L3** respectively. Connect the earth wire to earth strip.

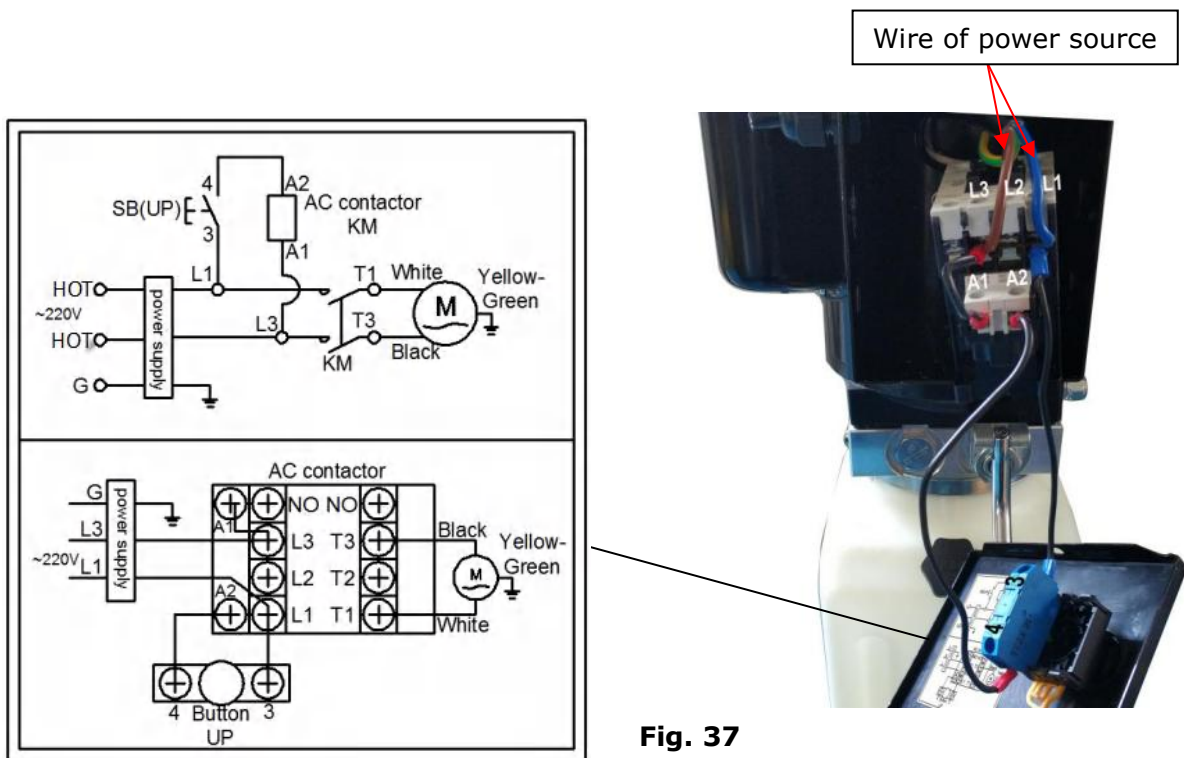


Fig. 37

⚠ DANGER All electrical wiring must be performed by a licensed and certified electrician. Before ensuring the main power has disconnected from the lift and cannot be re-applied until all procedures have been completed, don not perform any maintenance or installation to the lift.

⚠ DANGER Do not use the lift if the wires are damaged or severely worn. If the vehicle rises without noticing damage or extreme wear, carefully lower the vehicle to the ground. Once the lift is on the ground, remove it, disconnect the power, and arrange for protection.

IV. EXPLODED VIEW

Model 408-P

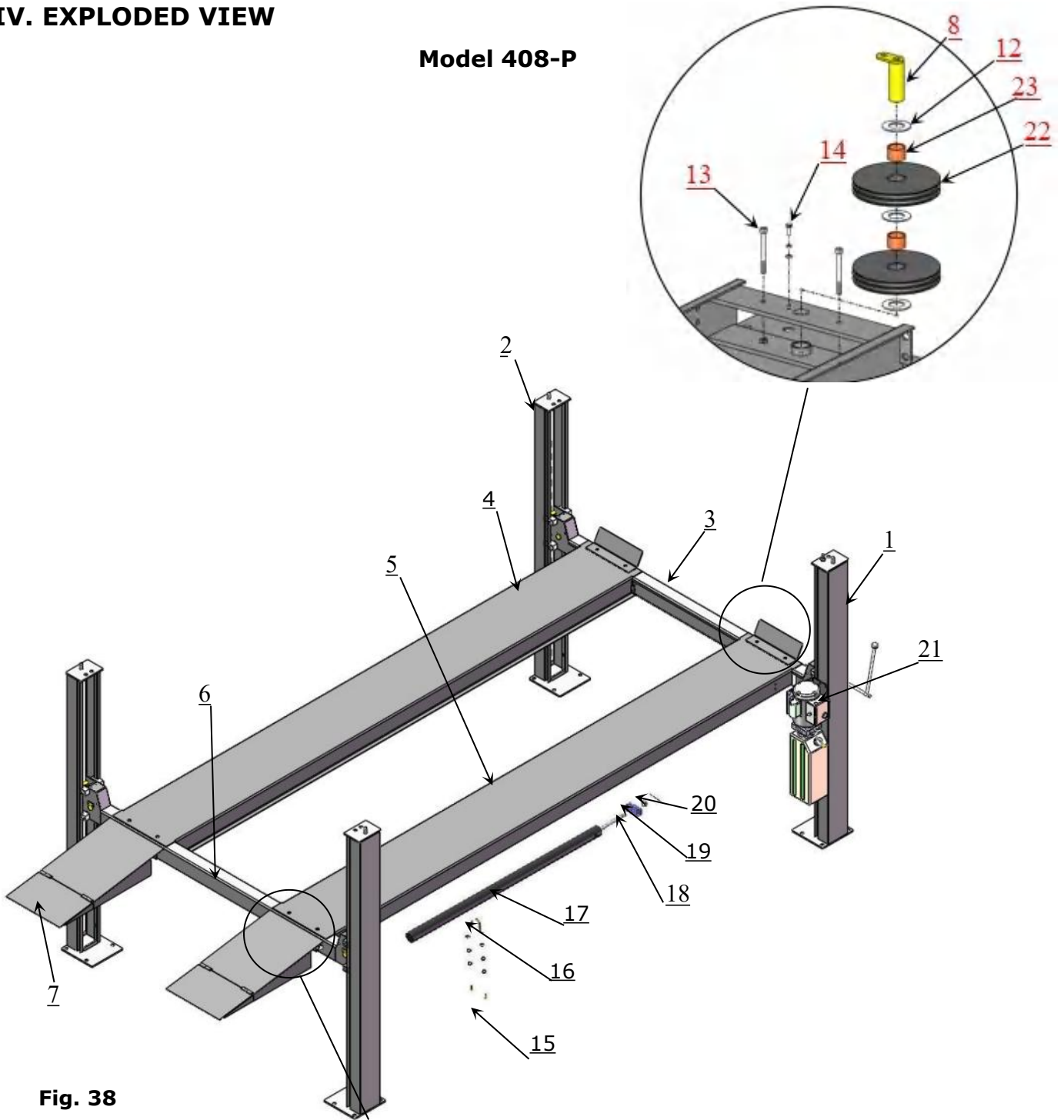
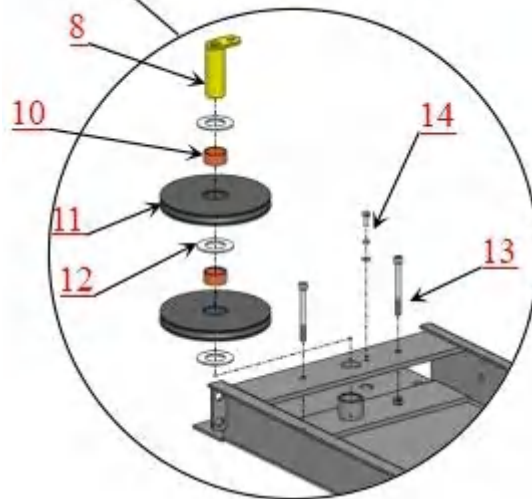


Fig. 38



PARTS LIST FOR MODEL 408-P

Item	Part#	Description	Qty.
1	11410001-01	Power side column	1
2	11410002-01	Off side column	3
3	11410003-02	cross beam A	1
4	11410004	Off side platform	1
5	11410005-03	Power side Platform	1
6	11410006-02	cross beam B	1
7	1104533025C	Foldable Drive-in ramp assy	2
8	11420022A	Pulley Pin	2
10	10420132A	Bronze bush $\phi 41.3 * \phi 35.1 * 20$	6
11	11420024B	Pulley $\phi 200 * 20$	2
12	10420023A	Flat washer $\phi 36 * \phi 65 * 3$	13
13	10600015	Socket bolt M10*20	4
14	1004574012	Hex Bolt M8*20(include flat washer,lock washer)	2
15	1004574011	Hex Bolt M8*20(include flat washer,lock washer,nut)	2
16	11410008	Cylinder fixing ring	1
17	10410009	Cylinder $\phi 63 * 68''$	1
18	11410642-02	Cable connecting plate	1
19	10410012	Hex Nut M24	1
20	10201005	Cotter pin $\phi 4 * 50$	1
21		Manual power unit	1
22	1104533023	Dual groove pulley $\phi 200 * 30$	2
23	10530042	Bronze bush $\phi 41.3 * \phi 35.1 * 28$	2
24	10420175A	Hex nut M20	16
25	11410022	Safety ladder	4
26	1004544011	Round head socket bolt M16*30	4
27	1004574016	Hex bolt M16*35 (include flat washer, lock washer)	4
28	11410015-1	Stop plate	2
29	1004574017	Socket bolt M12*20(8.8 level, include flat washer and lock washer)	8
30	10410016A	Slider $81 * 38 * 1 \frac{1}{2}''$	16
31	104574018	Hex socket M8*40(include flat washer and nylok nut)	16
32	11410024-01	Coupling sleeve	1
33	11410023	Safety device connecting rod $\phi 19 * 81 \frac{1}{8}''$	2
34	1004574019	Socket bolt M8*35(include lock washer)	4
35	11410026	Release handle	1
36	10217005	M10 Plastic ball	1
37	10209056	Nylon nut M10	1
38	11410100	Extended release handle	1
39	104574020	Socket bolt M8*25(include lock washer)	2
40	10410019-01	① Sync cable assy. L= 113 3/4''	1
41	10410020-01	② Sync cable assy. L=334 13/16''	1
42	10410018-01	③ Sync cable assy. L=170 1/16''	1
43	10410021-01	④ Sync cable assy. L= 278 15/16''	1
44	10209145A	Round head socket Bolt M8*25 (include lock washer)	8
45	1104202002	Cross beam cover	4
46	1104551003	Motor fixing bracket	1

Item	Part#	Description	Qty.
47	104574011	Hex bolt M8*20(include flat washer, lock washer and hex nut)	4
48	1002215009	Hex bolt M8*30(include flat washer,rubber ring, nylok nut)	4
49	10420166	90° Screw Fitting	1
50	10410028	Oil return hose L=216 9/16"	4
51	10420119	Hydraulic oil cylinder straight fitting	1
52	10410027	Hydraulic oil cylinder hose L=78 3/4"	1
53	10420120	Extension straight fitting with nut	1
54	10045440006	Oil hose assy 1/4*44 1/16"	1
55	10420095	Direct fitting	1
56	10209060	90° fitting for power unit	1
57	1004533008	Bellow pipe φ20*1*55 1/8"	1
58	10201090	Shim(1mm)	20
	10620065	Shim(2mm)	20
59	10209059	Anchor bolts 3/4*5-1/2	16
60	10410013	Hex bolt M16*30	4
61	10410500A	Parts box	1
62	11410040	Jack tray (optional kits)	1
63	10410039	Plastic oil tray (optional kits)	4

4.1 CYLINDERS EXPLODED VIEW

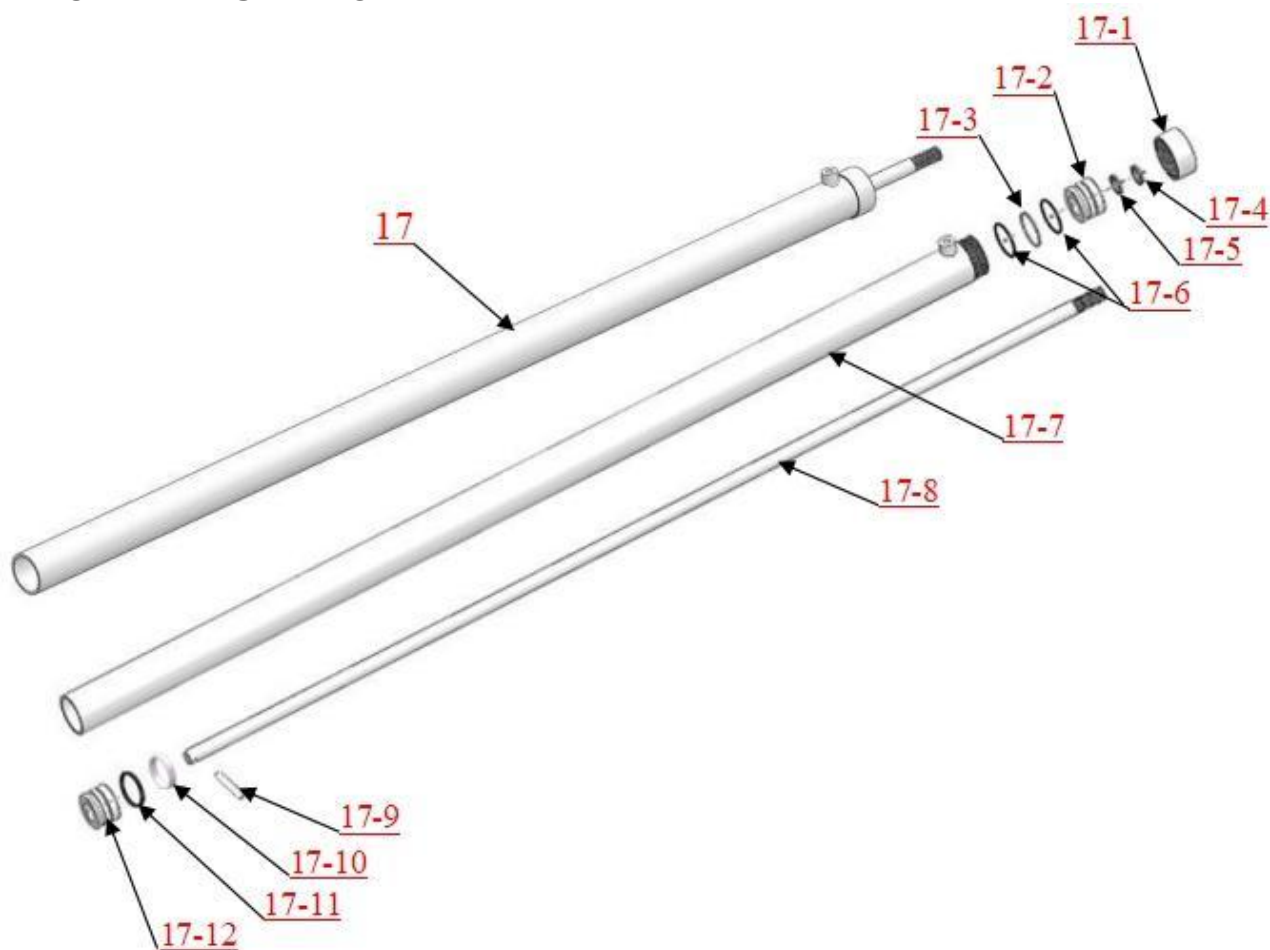


Fig. 39

Parts List

Item	Part#	Description	Qty.
17-1	11410044	Head cap	1
17-2	11440620	Head cap sealing sleeve	1
17-3	10410142	Support ring	1
17-4	10410080	Dust ring	1
17-5	10410104-01	Y ring	1
17-6	10201031	O ring	2
17-7	11410046	Bore weldment	1
17-8	11410047	Piston rod	1
17-9	11410049	Pin	1
17-10	10520052	Support ring	1
17-11	10201030-01	Y ring	1
17-12	11410048	Piston	1

4.2 CROSS BEAM EXPLODED VIEW(1141003-02/11410006-02)

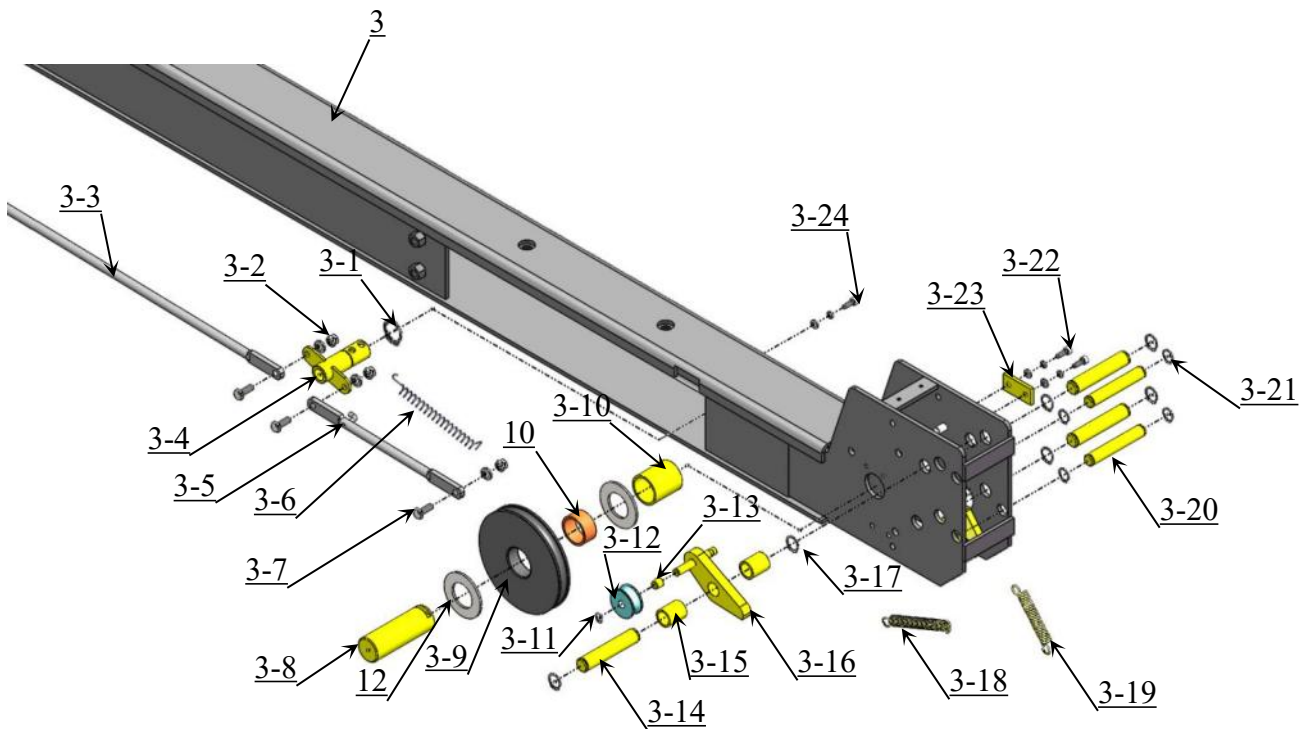


Fig.40

Item	Part#	Description	Qty.
3-1	10206032	Clip ring ϕ 25	2
3-2	1004574013	Hex bot M8*20 (include flat washer, nylok nut)	4
3-3	11410031-04	Connecting Bar	2
3-4	1104572003A	Rotation Device	2
3-5	11410033-04	Safety device connecting rod	2
3-6	1004242001	Spring ϕ 14* ϕ 2.0*100	2
3-7	1004574014	Hex Bolt M8*25 (include flat washer, nylok nut)	4
3-8	11420041A	Pulley Pin	4
3-9	1104202001	Pulley ϕ 145*20	4
3-10	11420040A	Pulley pin sleeve	4
3-11	10209010	Clip ring ϕ 10	4
3-12	10420035	Tension pulley (white)	4
3-13	11420174	Spacer	4
3-14	11420171	Pin	12
3-15	11420172	Limit sleeve	8
3-16	11420175	Safety block (Left & Right)	2/ea.
3-17	10206019	Clip ring ϕ 19	24
3-18	10420033	Spring ϕ 14*1.8*100	4
3-19	1004542001	Spring ϕ 14*2.0*50	4
3-20	11420038	Pin ϕ 16*98	16
3-21	10420037	Clip ring ϕ 16	8
3-22	1002735009	Socket bolt M6*16(include flat washer, lock washer)	8
3-23	11420044	Limit block	4
3-24	1004544010	Socket bolt M8*15 (include flat washer, lock washer)	2

4.3 Instruction of hydraulic valve for power unit

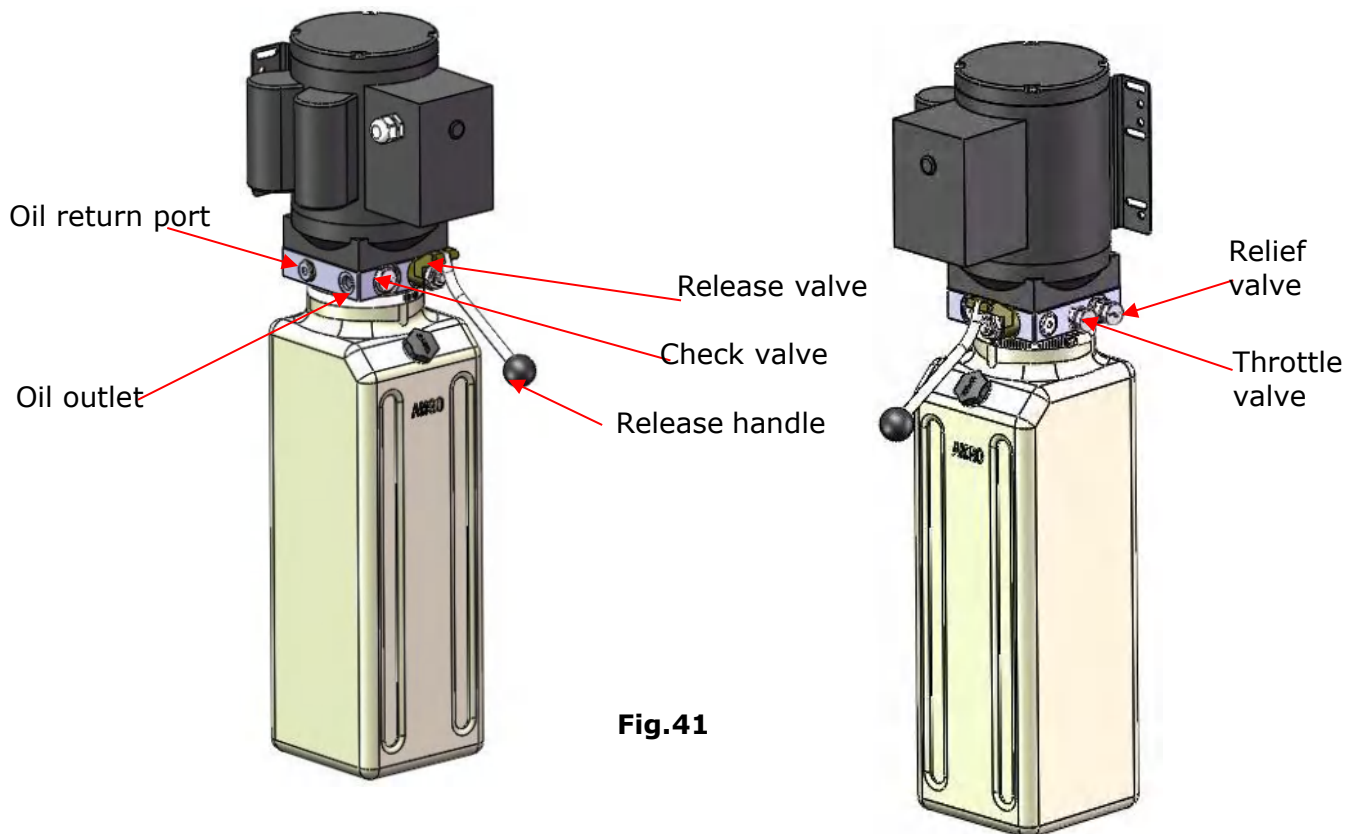
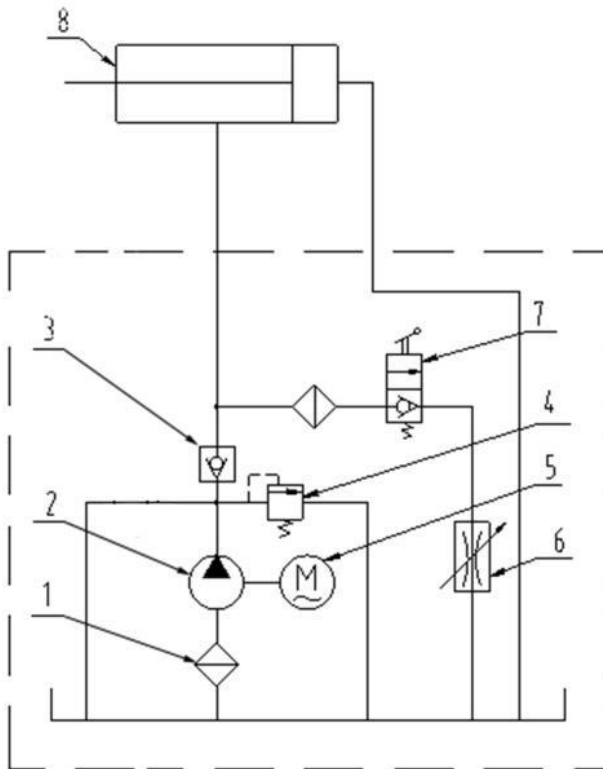


Fig.41

V. TEST RUN

1. Fill the oil tank with around 6L hydraulic oil (in order to ensure the service life of the hydraulic system and ensure the best condition of the equipment, please fill in #46 high-quality anti-wear hydraulic oil).
2. Press the power unit button, until the four cables are strained. Check the coordination between the cables and the pulleys, the cables **SHALL NOT** cross or fall out of the pulley.
3. Press the power unit release handle to lock the cross beam on the safety ladder. Adjust the safety ladder nuts to make sure the platforms at same level. Then tighten both the top and bottom nuts of safety ladder.
4. Adjust the tension of cables by adjusting the cable nuts. You need to run the lift up and down for several times till the four safety devices can lock and release at the same time. Then tighten the cable nuts to each other.
5. Adjust the clearance between the column and the slide block of cross-beam to ensure the slide block can slide smoothly with the column. Do not tighten the slide block.
6. Test running the lift with load. Run the lift with platforms in low position first, make sure the platforms can rise and lower synchronously and the safety device can lock and release synchronously. And then test run the lift to the top completely. If there are anything improper, repeat the above adjustment.

Circuit Diagram of Hydraulic System



N
O
T
E

1. Filter
2. Gear pump
3. Check valve
4. Relief Valve
5. Motor
6. Throttle Valve
7. Release Valve
8. Cylinder

Fig.42

VI. OPERATION INSTRUCTIONS

To lift vehicle

1. Keep clean of environment near the lift.
2. Drive vehicle to the platform and apply the brake.
3. Fold up the front half of drive-in ramps.
4. Power on, push the power unit UP button, lift the vehicles to proper parking height.

Note: make sure the vehicle is steady when the lift is raised.

5. Press the power unit release handle, the lift goes down and be locked. Check and make sure the lift is locked at the same level locks

⚠️ WARNING It is unsafe to work under a lift without locked at the safety device after it has been lifted up, which may causes vehicle fall, damage, lift damage, human injury or even death.

To lower vehicle

1. Be sure the clearance of around and under the lift, only leave operator in lift area.
2. Push power unit UP button to raise the lift 3-5 seconds, then the safety lock is out of lock status. Pull the release handle, make sure the safety lock released, press the power unit release handle, the lift will start to lower.
3. Lower the lift to the lowest position, unfold the front half of drive-in ramps, and drive away the vehicles
4. Turn off the power.

VII. MAINTENANCE SCHEDULE

Monthly:

1. Lubricate cables.
2. Make visual inspection of cables for possible wear or damage.
3. Make visual inspection of hydraulic hoses for possible wear or leakage.
4. Lubricate all rollers, pins and safety devices with 90WT gear oil.

Every six months:

1. Make a visual inspection of all moving parts for possible wear, interference or damage.
2. Check and adjust as necessary, cable tension to ensure synchronization.
3. Check columns for plumbness.

Oil cylinder maintenance:

In order to extend the service life of the oil cylinder, please operate according to the following requirements.

1. Recommend to use N46 anti-wear hydraulic oil.
2. The hydraulic oil of the lifts should be replaced regularly during using. Replace the hydraulic oil 3 months after the first installation. Replace the hydraulic oil once a year afterwards.
3. Make at least one full trip raising and lowering per day. For exhausting the air from the system, which could effectively avoid the corrosion of the cylinder and damage to the seals caused by presence of air or water in the system.
4. Protect the outer surface of the oil cylinder's piston rod from bumping and scratching, and timely clean up the debris on the oil cylinder dust-ring and the piston rod.

⚠ DANGER

Make sure the lift is completely disconnected from the power source before maintenance. If there is any external electrical lock/shutdown device, make sure to implement them before maintenance. The contact with high voltage/current, may cause injury or even death.

VIII. TROUBLE SHOOTING

TROUBLE	CAUSE	REMEDY
Motor does not run	<ol style="list-style-type: none"> 1. Start Button does not work 2. Wiring connections are not in good condition 3. Motor burned out 4. AC contactor burned out 	<ol style="list-style-type: none"> 1. Replace start button 2. Repair all wiring connections 3. Repair or replace motor 4. Replace AC contactor
Motor runs but the lift is not raised	<ol style="list-style-type: none"> 1. Release valve in damage 2. Gear pump in damage 3. Relief valve or check valve in damage 4. Low oil level 	<ol style="list-style-type: none"> 1. Repair or replace 2. Repair or replace 3. Repair or replace 4. Fill tank
Lift does not stay up	<ol style="list-style-type: none"> 1. Release valve out of work 2. Relief valve or check valve leakage. 3. Cylinder or fittings leaks 	Repair or replace
Lift raises too slow	<ol style="list-style-type: none"> 1. Oil line is jammed 2. Motor running on low voltage 3. Oil mixed with air 4. Pump leaks 5. Overload lifting 	<ol style="list-style-type: none"> 1. Clean the oil line 2. Check electrical system 3. Fill tank 4. Repair or replace pump 5. Check load
Lift cannot lower	<ol style="list-style-type: none"> 1. Safety device are not in activated 2. Release valve damaged 	<ol style="list-style-type: none"> 1. Operate again 2. Repair or replace

⚠️ WARNING A lift would be dangerous if operated by inexperienced or distracted operators. Operators should be fully aware that lifting a vehicle is a potentially life-threatening operation, especially if ignoring the mandatory safety precautions.

IX. CAR LIFT SAFETY TIPS

Put this safety tips in a place where you can always alert the operator. Please reference to the lift manufacturer's manual for specific information about the lift.

1. Check the lift daily. If the machine breaks down or has damaged parts, do not operate, and use original equipment parts to repair.
2. **Do not** overload . The rated weight of the manufacturer design is indicated on the label of the lift.
3. Position control of the vehicle and operation of the lift can only be done by a trained and authorized person.
4. **Do not** lift a car with occupants inside. Keep the customers or bystanders away from the lift.
5. Keep the area around the lift free of obstacles, lubricating oil, grease, garbage and other debris for a long time.
6. Carefully drive the vehicle onto the lift and lifting up to the required height for operation.
Noted: lift it high enough if you are working underneath, and make sure the safety devices are locked.
7. **Noted:** removing(install) parts from(to) a vehicle would cause a sudden shift of gravity which may result in instability of the vehicle. Please refer to the vehicle manufacturer's service manual as a recommended procedure if you need remove/install parts from(to) the vehicle
8. Before lowering the lift , make sure all obstacles underneath, include tool tray, tool rack etc., are all removed.

X. LIFT DISPOSAL

When the car lift cannot meet the requirements for normal use and needs to be disposed, it should follow local laws and regulations.



Address:

SC Division: 1931 Joe Rogers Jr Blvd, Manning, SC 29102, USA

TX Division: 4310 Adler Dr., Suite #200, Dallas, TX 75211, USA

<http://www.amgohyd.com>

Manual No.: **72247205**
Revision Date: **2024/11**