

SINGLE POST PORTABLE LIFT

Ideal for commercial shops and residential garages, the AMGO SML-7 delivers peak performance with a 7,000-lb capacity. Featuring AMGO's patented single-handle arm lock release, this fully mobile unit is easily maneuvered by a single operator—the perfect solution for space-saving portability.



20262603

SML-7

Main Features

- ✓ Portable design with a large 7,000lbs lifting capacity.
- ✓ Compact, space-saving design
- ✓ Dual-lock safety mechanism.
- ✓ Auto-engaged arm lock and AMGO's patented single-handle safety release
- ✓ Hydraulic cylinders manufactured to industrial standards with high-performance seals.
- ✓ ETL certified power unit.
- ✓ Adjustable two-stage lifting arms accommodate a wide range of vehicles.
- ✓ Drop-in and double-screw rubber pads with 3" extension adapters are standard.
- ✓ Self-lubricating UHMW Polyethylene sliders and bronze bushings.



Pallet-jack design for easy, portable maneuverability.



Double-screw rubber pad with 50mm pin and 3" extension adapter.



An AMGO exclusive: Dual-lock safety mechanism and chain protection cover.



Adjustable arms with two stage positions.



The single-point safety release allows operators to unlock both columns simultaneously from one side.

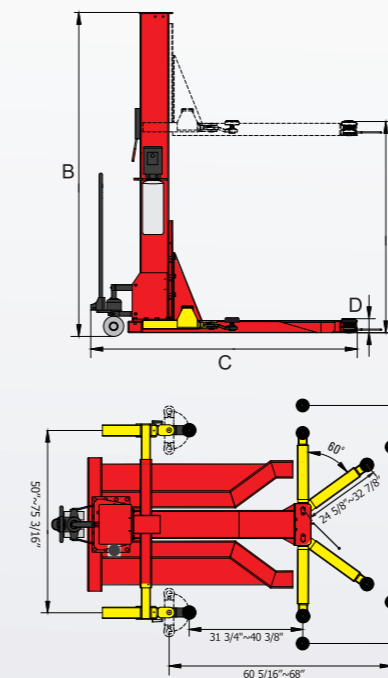


New bionic arms offer an extended reach and 180° of swing flexibility.



AMGO exclusive auto-engaged arm locks and integrated single-handle safety release.

SPECIFICATIONS



Model SML-7	Single post lift	
Lifting Capacity	7,000 lbs	
Lifting Time	84s(110V)	
Max.lifting height: (w/o extension adapter)	A 70 13/16"~72 3/4"	
Max.lifting height: (w/ extension adapter)		72 3/4"~75 11/16"
Max.lock height: (w/o extension adapter)		67 7/16"~69 3/8"
Max.lock height: (w/ extension adapter)		70 7/16"~72 3/8"
Overall Height	B 109 7/16"	
Overall Width	C 90 3/8"	
Minimum Pad Height	D 3 5/16"	
Gross Weight	1,942 lbs	
Motor	1.0HP,110V/60Hz Single Phase	

AMGO HYDRAULIC CORPORATION

SC Division: 1931 Joe Rogers Jr Blvd, Manning, SC 29102, USA
Tel:(803)505-6410

TX Division: 4310 Adler, Suite 200, Dallas, TX 75211,USA
Tel:(214)377-8091