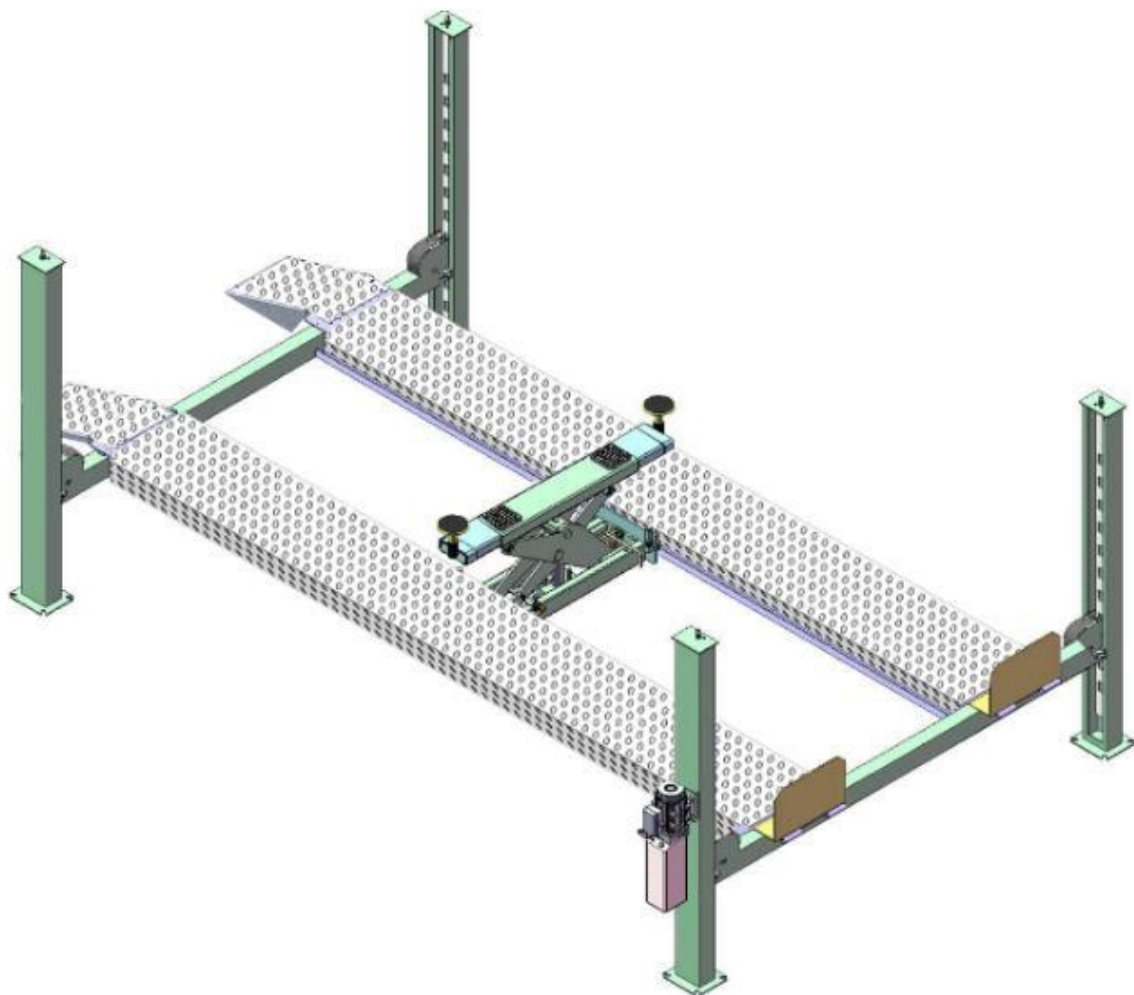


**AMGO**  <sup>®</sup> **Hydraulics**

## Installation And Service Manual

Original



**FOUR POST LIFT**

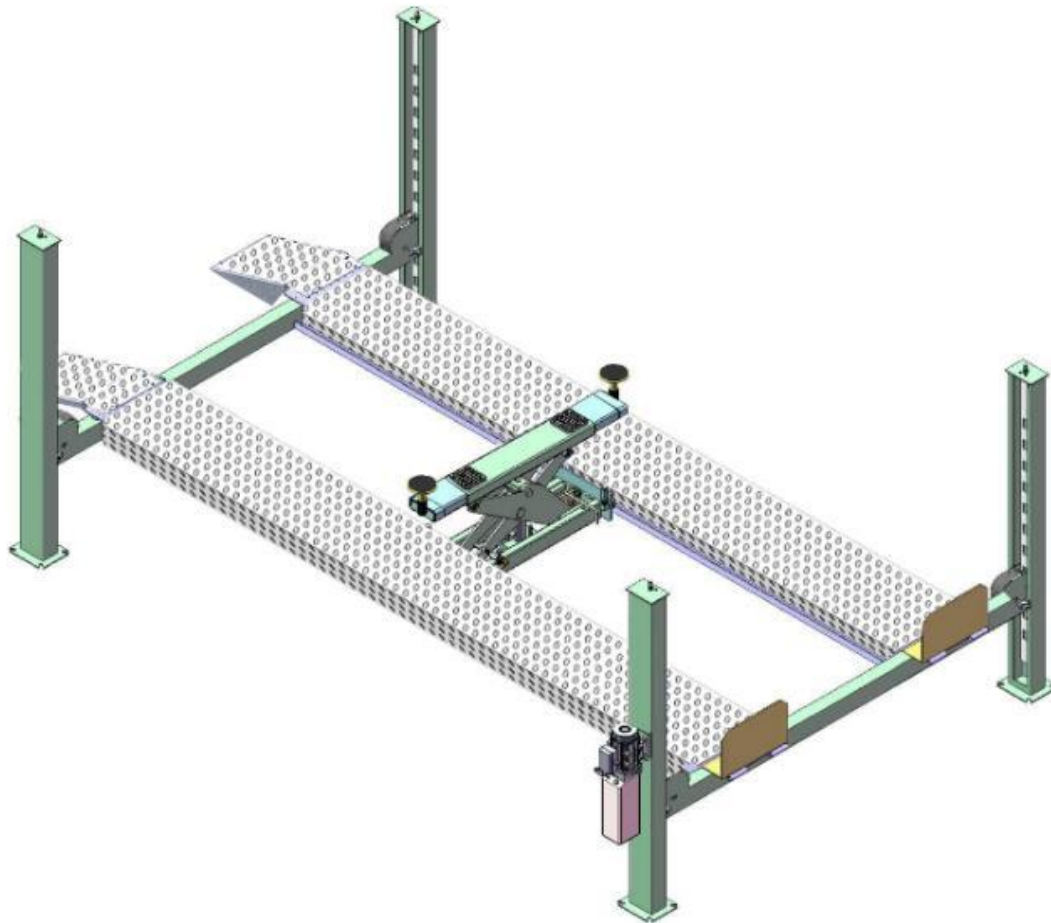
**Model: PRO-40, PRO-40E**

# CONTENTS

Product Features and Specifications .....	1
Installation Requirement .....	2
Steps of Installation .....	4
Exploded View .....	23
Test Run .....	31
Operation Instruction .....	32
Maintenance .....	32
Trouble Shooting .....	34
List Disposal.....	34

## I. PRODUCT FEATURES AND SPECIFICATIONS

- Manual control system
- Mechanical self-lock and pneumatic safety release
- Manual hydraulic power system, cable-driven.
- Strengthen and Non-skid diamond platforms.
- Adjustable platform and adjustable safety lock ladders.
- Optional Jack: With Pneumatic hydraulic pump.



**Model: PRO-40(E)**  
**Fig .1**

### MODEL SPECIFICATIONS

Model	Lifting Capacity	Lifting Height	Lifting Time	Overall Length (Inc. Ramps)	Overall Width	Width Between Columns	Motor
PRO-40	40000lbs	75" (1905mm)	176S	366 1/8" (9300mm)	161 3/8" (4100mm)	143 7/8" (3654mm)	2.0HP
PRO-40E				425 1/8" (10800mm)			

## II. INSTALLATION REQUIREMEN A TOOLS REQUIRED

↳ Rotary Hammer Drill ( $\Phi 3/4$ )



↳ Hammer



↳ Level Bar



↳ English Spanner (12")



↳ Wrench Set:

(10#, 12#, 13#, 14#, 17#, 19#, 24#, 30#)



↳ Ratchet Spanner With Socket (28#)



↳ Carpenter's Ink Marker



↳ Screw Sets



↳ Tape Measure (295-1/4")



↳ Pliers



↳ Lock Wrench



↳ Socket Head Wrench  
(3#, 5#, 6#)



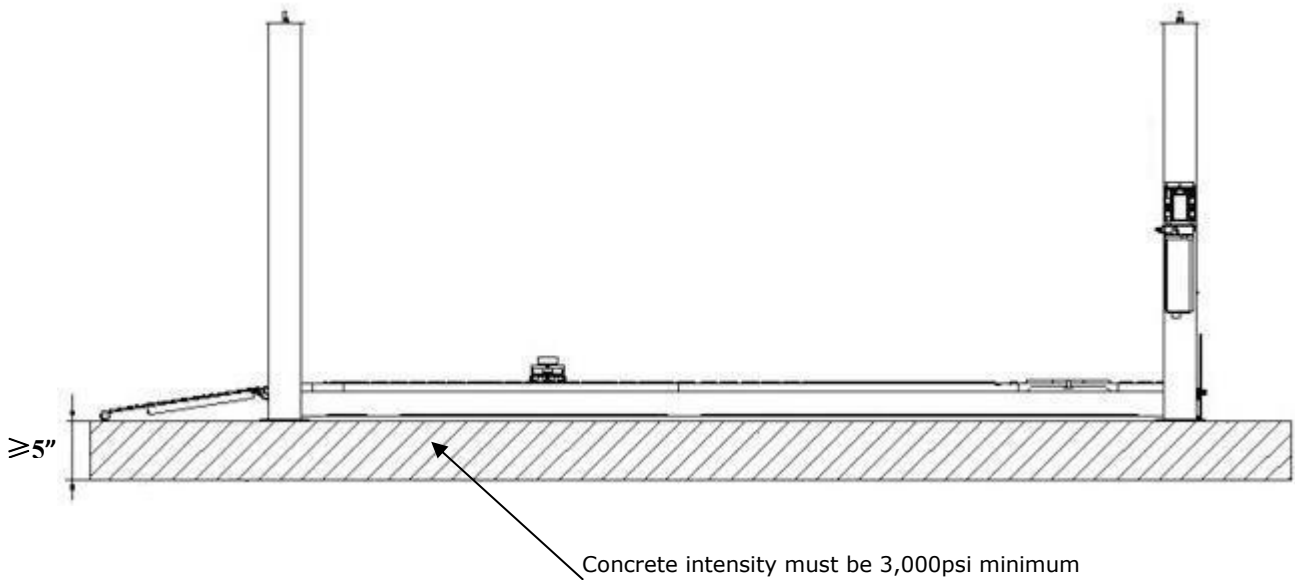
Fig. 2

**B. SPECIFICATIONS OF CONCRETE (See Fig. 4)**

**Specifications of concrete must be adhered to the specification as following.**

**Failure to do so may result in lift and/or vehicle falling.**

1. Concrete must be thickness 5" minimum and without reinforcing steel bars, and must be dried completely before the installation.
2. Concrete must be in good condition and must be of test strength 3,000 psi minimum.
3. Floors must be level and no cracks.



**Fig. 4**

**C. AIR SUPPLY**

Air pressure requirement: 0.5Mpa~0.8Mpa, Air line size  $\Phi 8 * \Phi 6$  .

**D. POWER SUPPLY**

The electrical source must be 2HP minimum. The source cable size must be 2.5mm<sup>2</sup> and in good condition of contacting with floor.

### III. STEPS OF INSTALLATION

#### A. Location of installation

Check and insure the installation location (concrete, layout, space size etc.) is suitable for lift installation.

#### B. Check the parts before assembly

##### 1.The equipment should be unload and transfer by forklift. (See Fig.5)



Fig. 5

##### 2.Received lift with hydraulic power unit (See Fig. 6).



Fig. 6

Power unit

##### 3. Open the outer packing ,check all the parts according to the parts list (See Fig. 7).

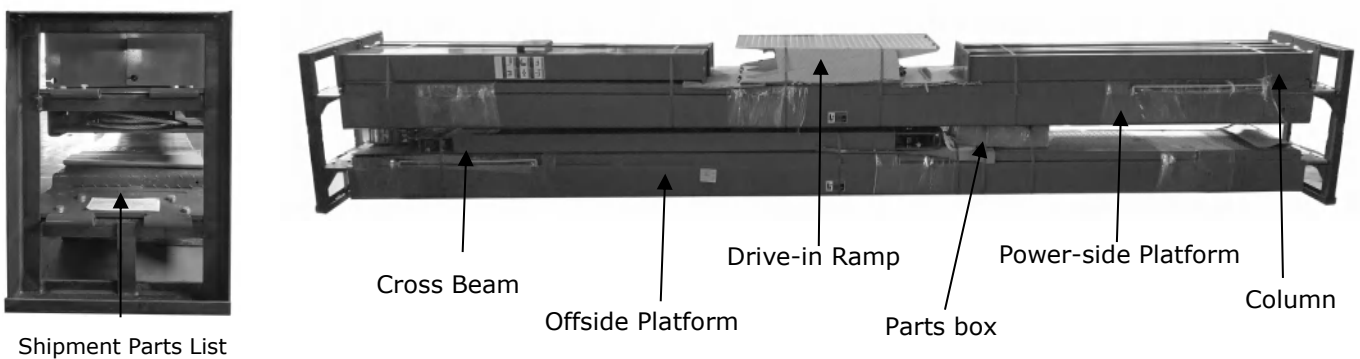


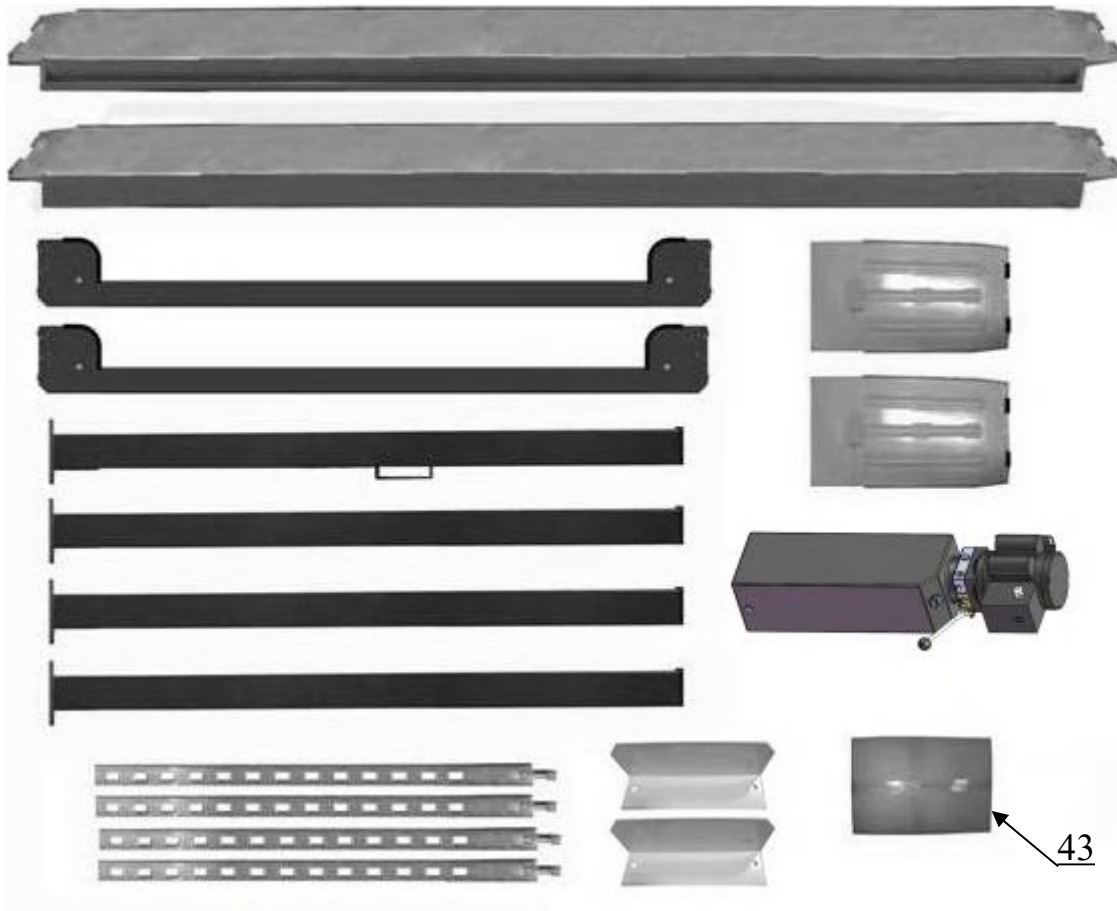
Fig.7

##### 4. Take off the Drive-in Ramps and Columns (See Fig.8).



Fig. 8

5. Loose the screws of the upper package stand ⇒ take off the offside platform ⇒ take out the parts inside the power side platform ⇒ then remove the package stand.
6. Move aside the parts and check the parts according to the shipment parts list (**See Fig. 9**).



**Fig.9**

7. Open the parts box and check the parts according to the parts box list (**See Fig. 10**).



**Fig. 10**

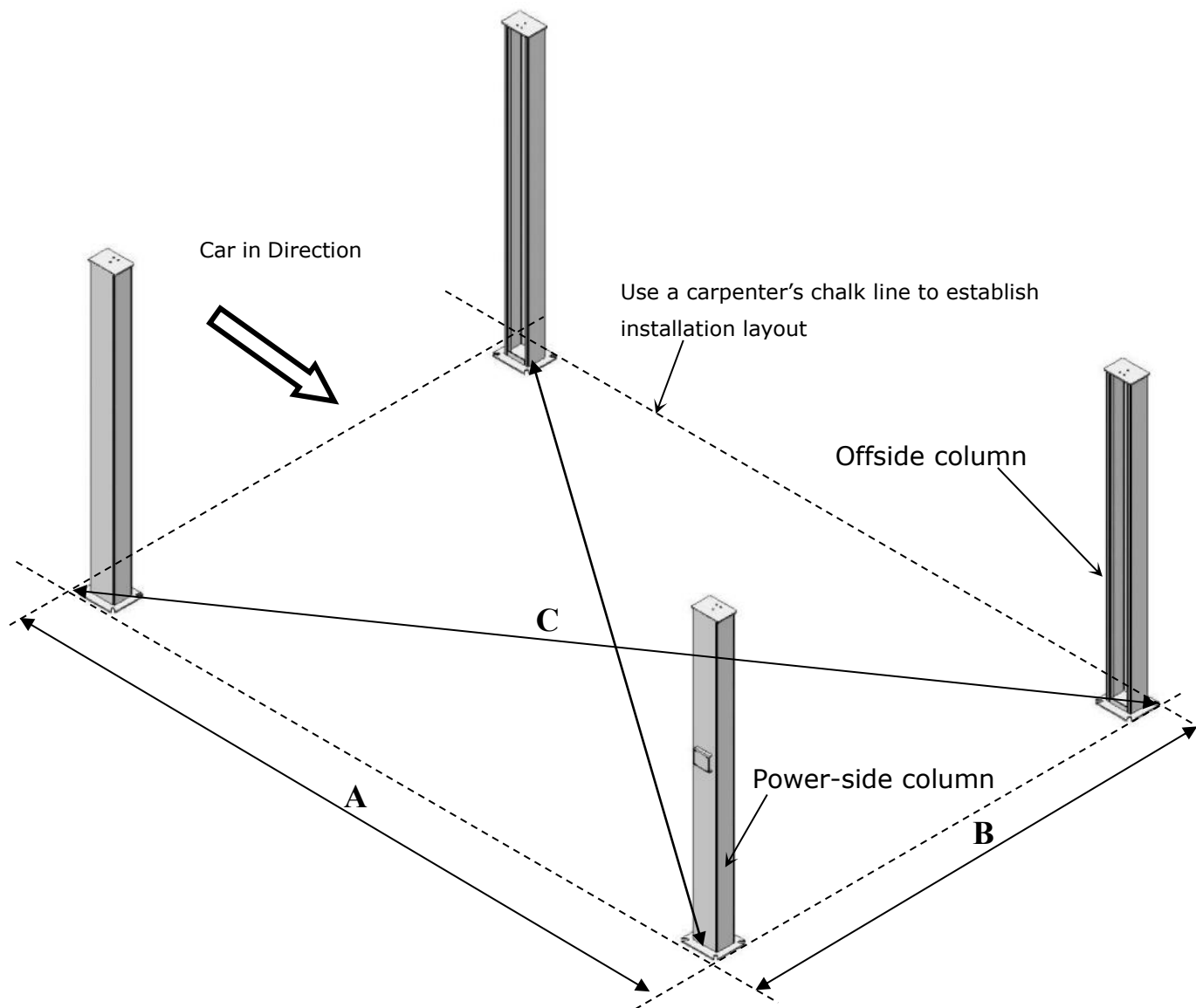






**C.** Use a carpenter’s chalk line to establish installation layout , make sure the size is right and base is flat (**see Fig. 12**).

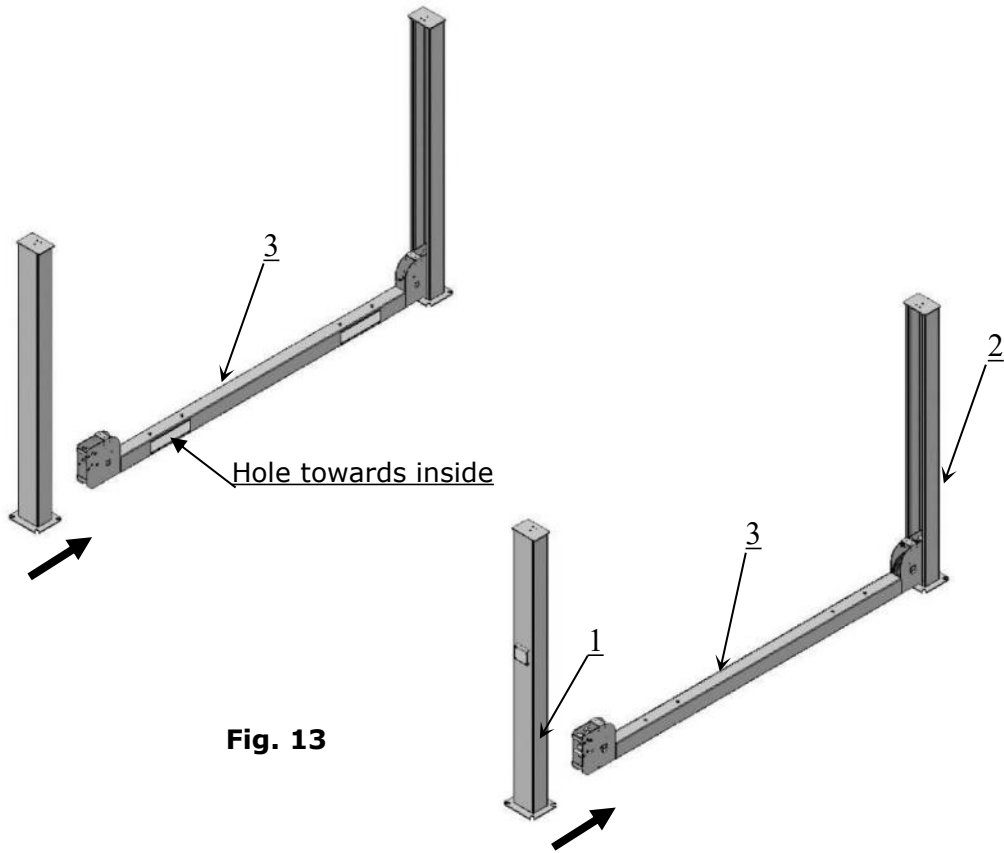
**Note: Reserve space before and behind the installation site.**



**Fig. 12**

Model	A	B	C
PRO-40	315 1/2" (8014mm)	161 3/8" (4100mm)	354 1/2" (9002mm)
PRO-40E	374 1/2" (9514mm)	161 3/8" (4100mm)	407 7/8" (10360mm)

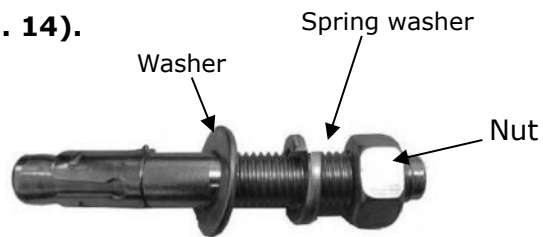
**D. Install cross beams (See Fig. 13).**



**Fig. 13**

**E. Fix the anchor bolts**

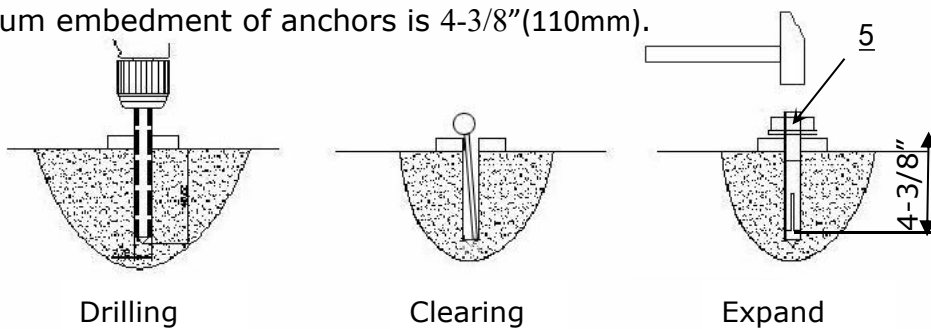
1. Prepare the anchor bolts (See Fig. 14).



**Fig. 14**

2. Using the prescribed rotary hammer drill, and drill all the anchor holes and install the anchor bolts, do not tighten the anchor bolts first (See Fig. 15).

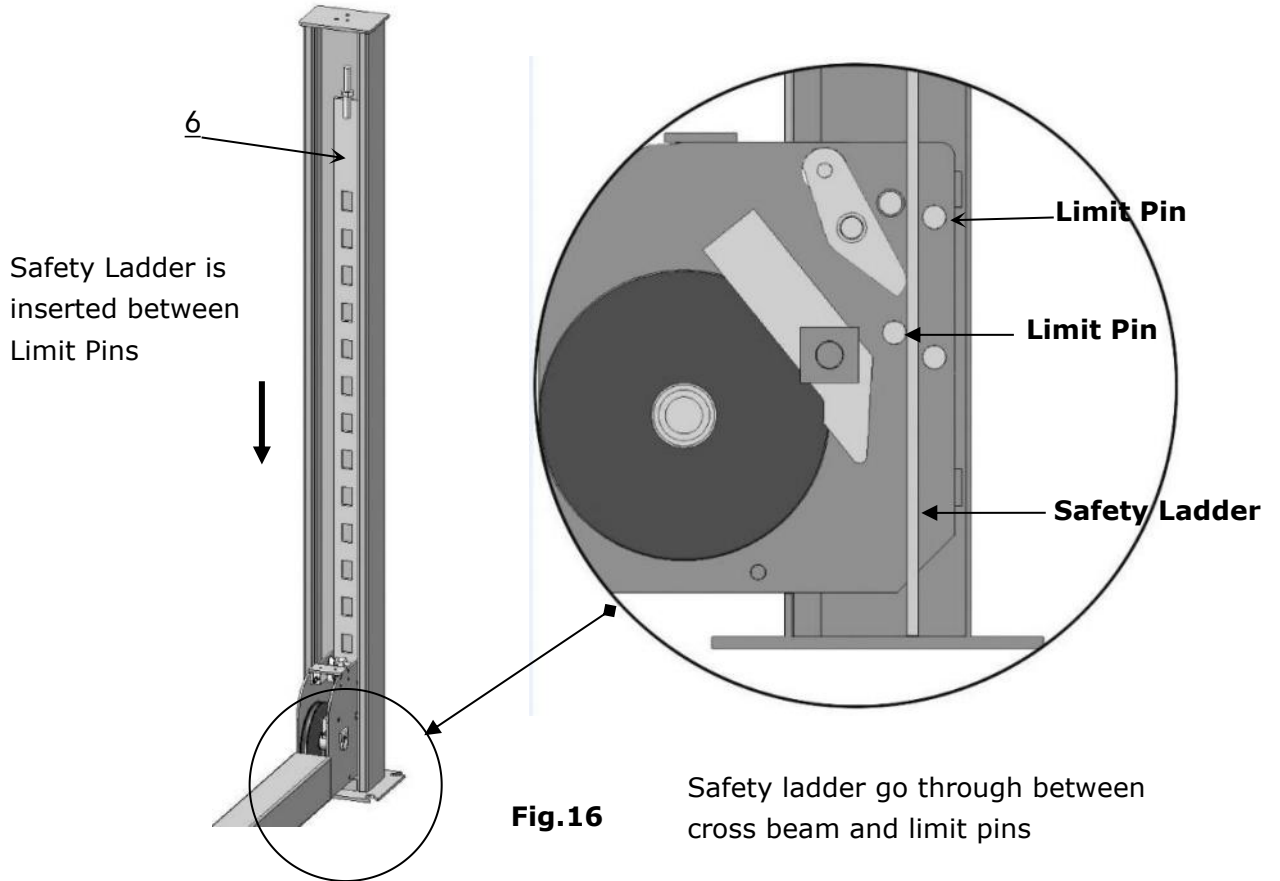
Note: Minimum embedment of anchors is 4-3/8" (110mm).



**Fig. 15**

## F. Install the safety ladders

1. Take off the pulley safety cover and unscrew the four upper nuts of the Safety Ladders, and then adjust the four lower nuts to be at the same position, then install the safety ladders(See Fig. 16).



2. Install safety ladders (See Fig. 17)

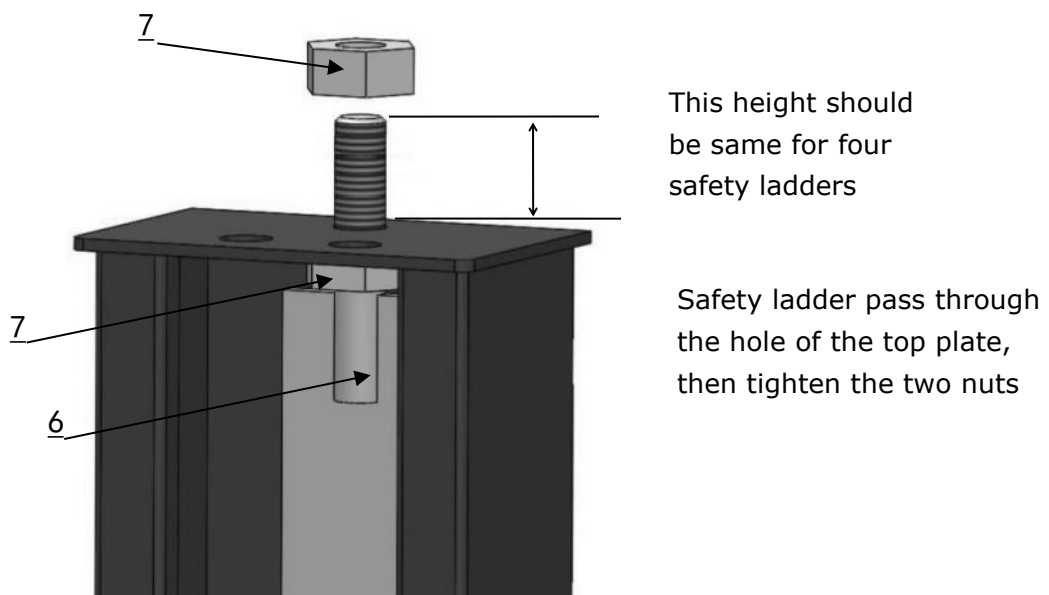
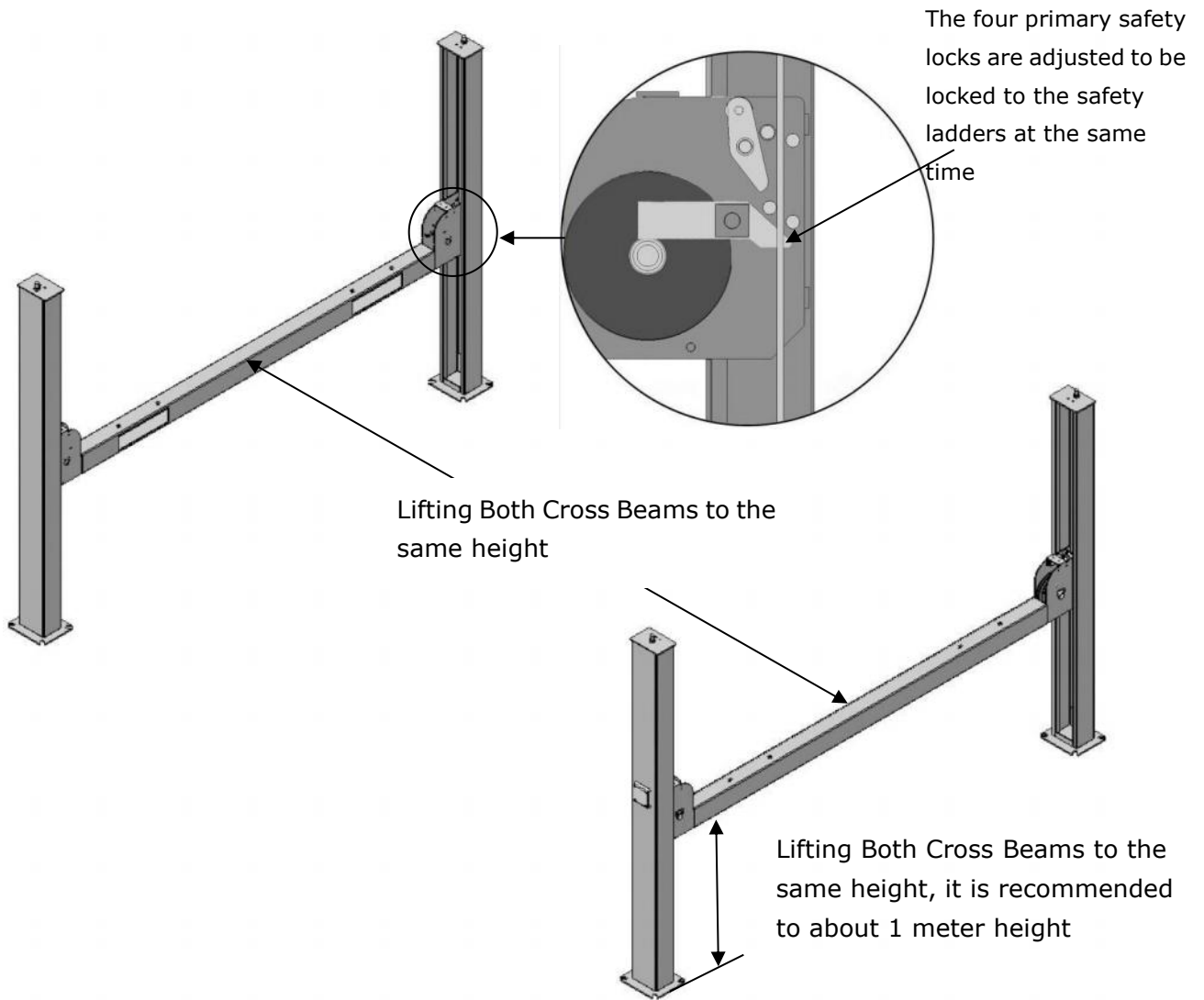


Fig. 17

**G. Put the Cross Beams at the same height (See Fig. 18).**

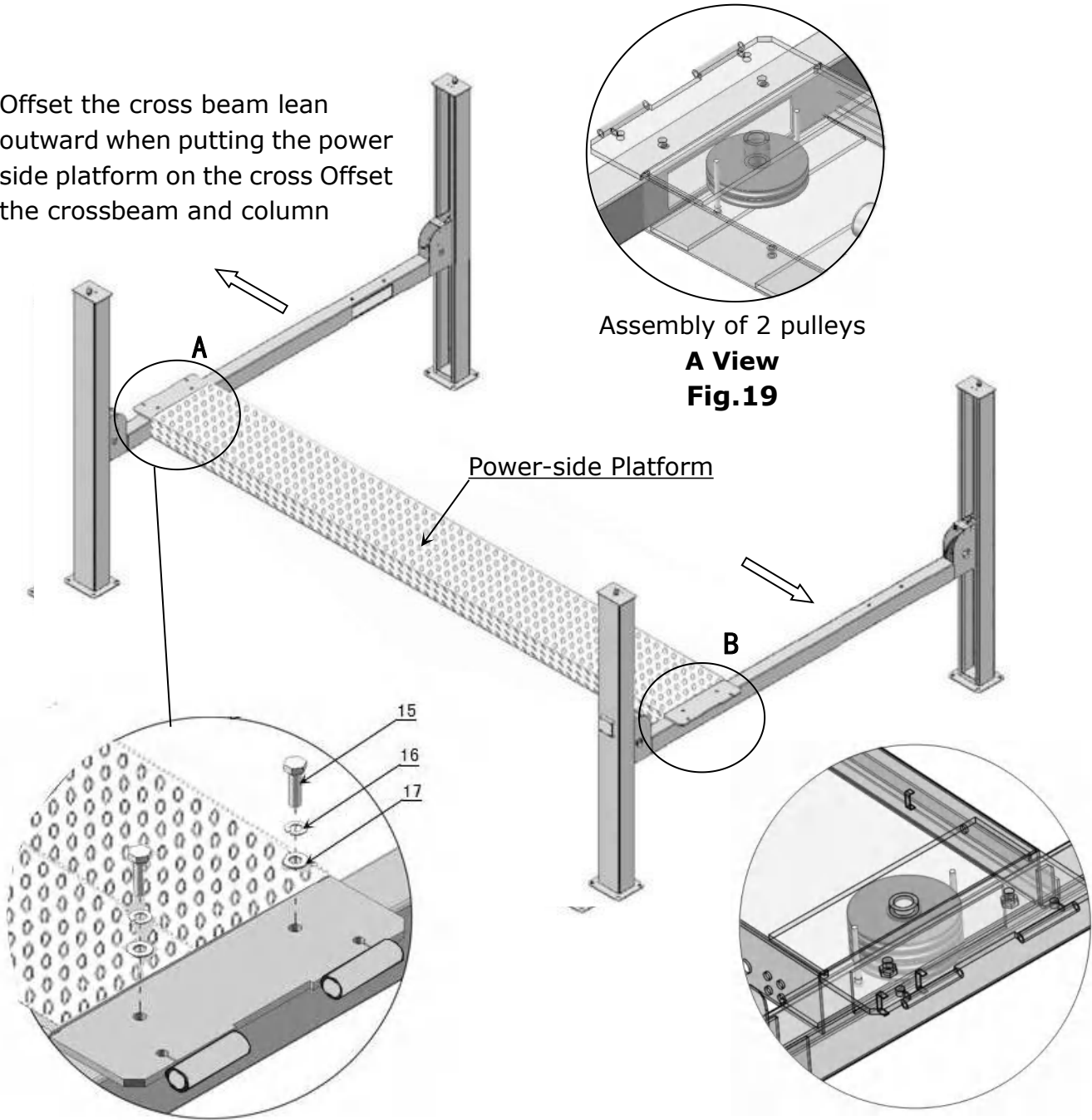


**Fig. 18**

### H. Install power side platform.

1. Put the power-side platform upon the cross beams by fork lift or manual, offset the cross beams to the outside till the pulleys of both platforms can set up into the cross beam (See Fig.19), Install the power side platform and screw up the bolts (See Fig.20)

Offset the cross beam lean outward when putting the power side platform on the cross Offset the crossbeam and column

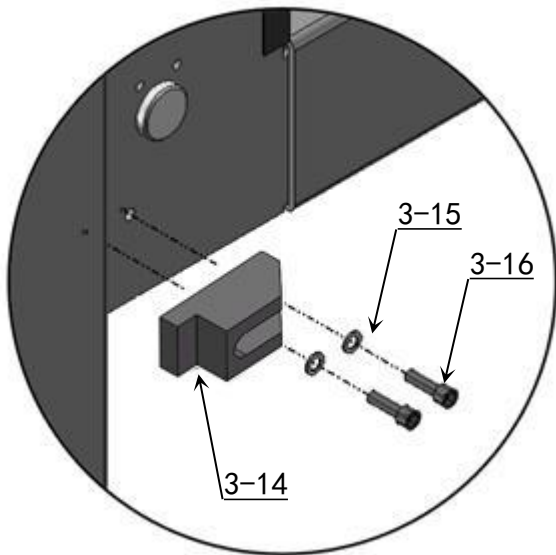
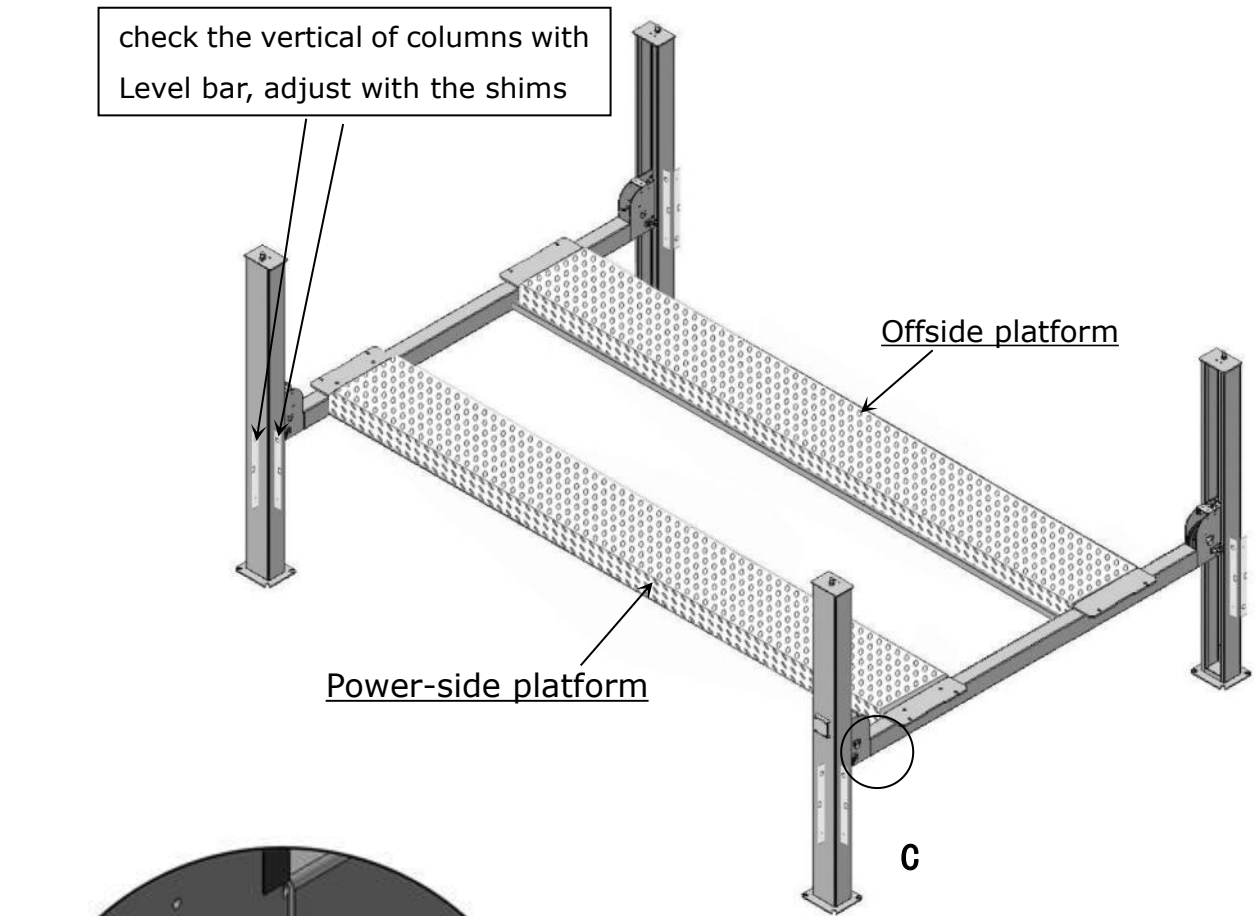


Assembly of 2 pulleys  
**A View**  
**Fig.19**

Assembly of 4 pulleys  
**B View**  
**Fig.19**

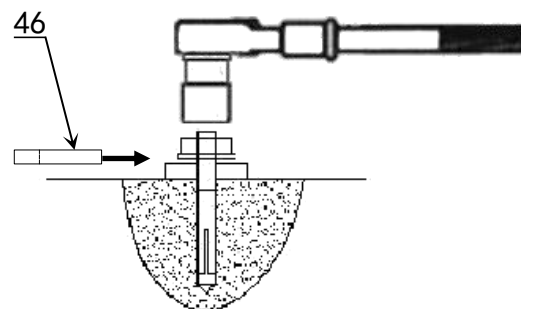
Install the power side platform with M30\*60 hex bolt and screw up the bolts  
**Fig.20**

I. Assemble offside platform and slider block. ( see Fig.21), check the vertical of columns with Level bar, adjust with the shims if not, and then tighten the anchor bolts (See Fig. 22)



**Install the slider block  
C View  
Fig 21**

Note: Torque of Anchors is 150N·m.

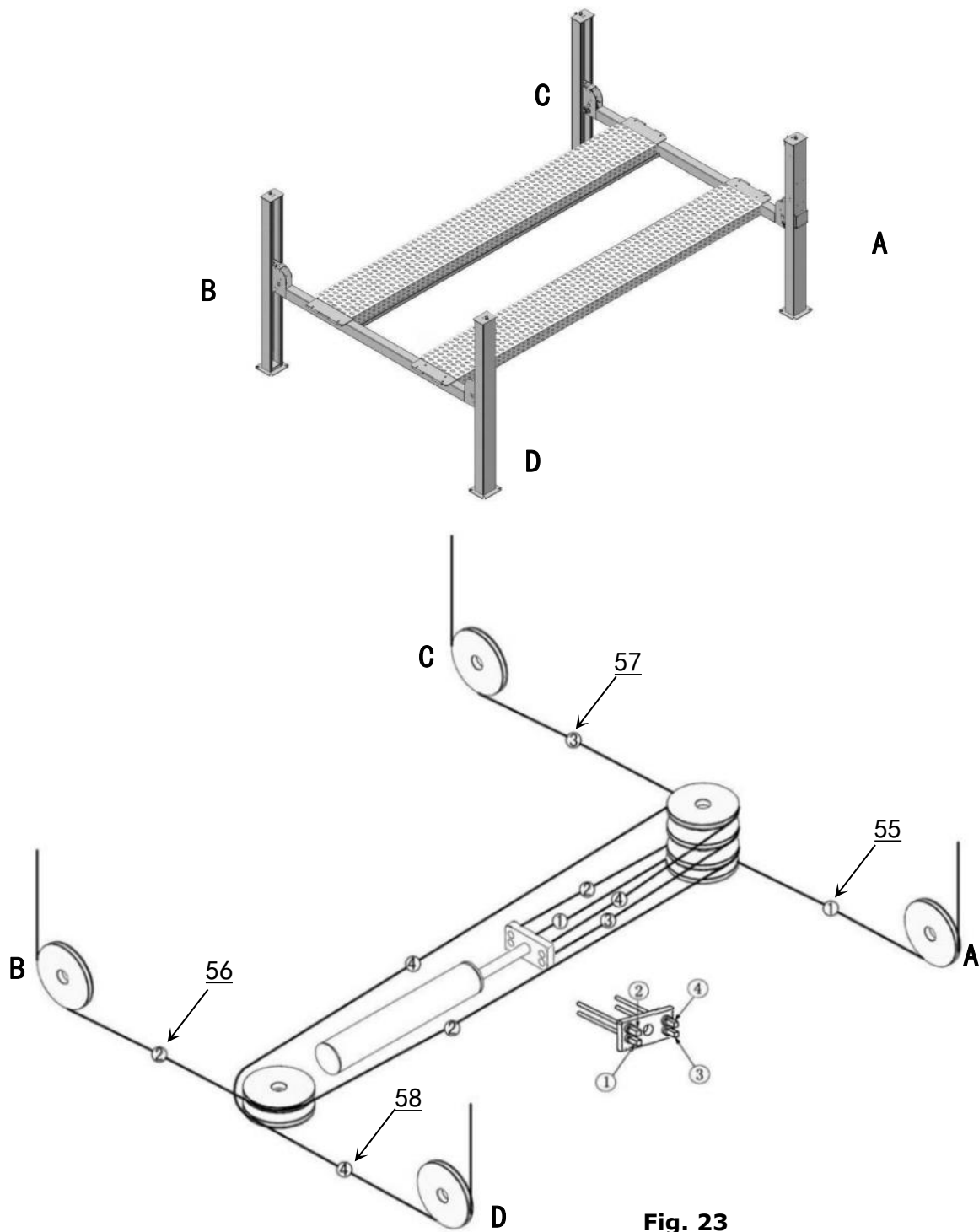


Using the ratchet spanner with socket to tighten the bolts

**Fig. 22**

**J. Install cables (See Fig. 23)**

1. Pass through the cables from the platform to the columns according to the number of the cables

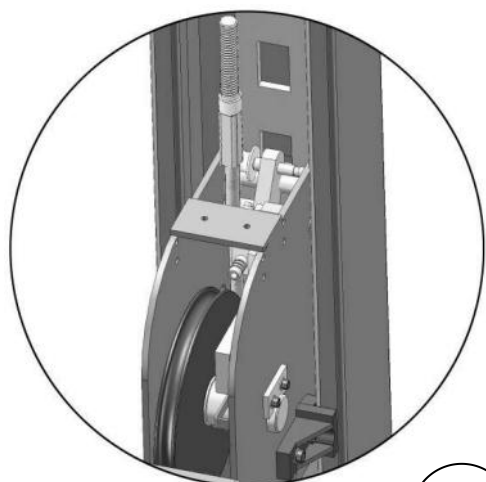


**Fig. 23**

No. / Cable	①	②	③	④
PRO-40	4915mm	14830mm	7115mm	12645mm
PRO-40E	6405mm	17775mm	8610mm	15580mm

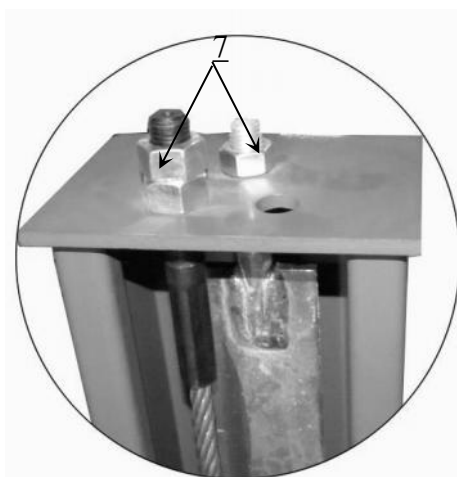


2. The cable pass through the cross beam to top plate of columns and be screwed with cable nuts (See Fig. 24, Fig.25), then install cable limit pin (See Fig.26)



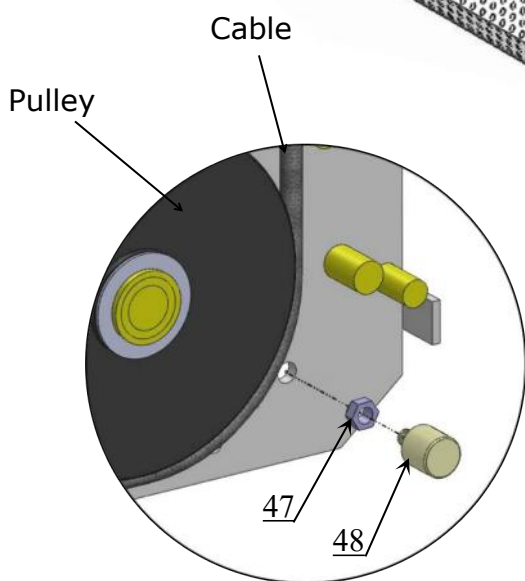
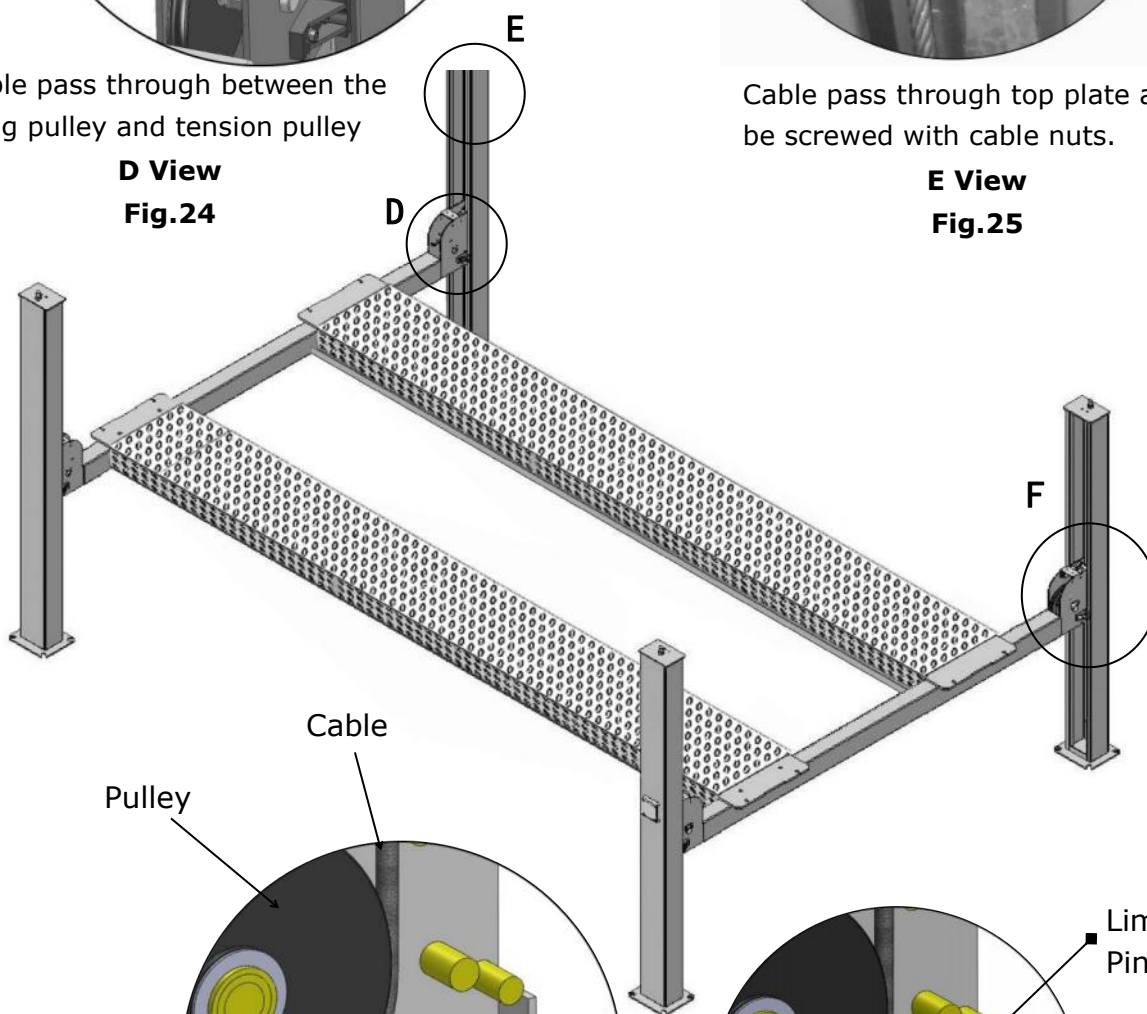
Cable pass through between the big pulley and tension pulley

**D View**  
**Fig.24**

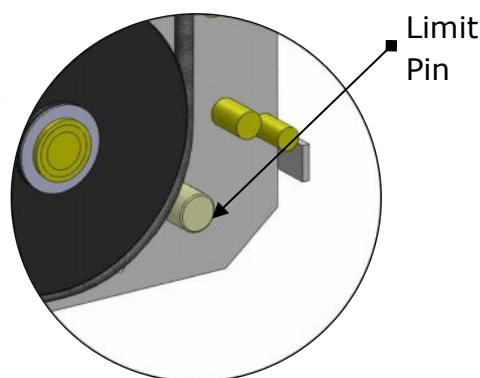


Cable pass through top plate and be screwed with cable nuts.

**E View**  
**Fig.25**



Install cable limit pin



After installation

**F View**  
**Fig. 26**

3. Illustration for platform cables (See Fig. 27, Fig.28, Fig.29)

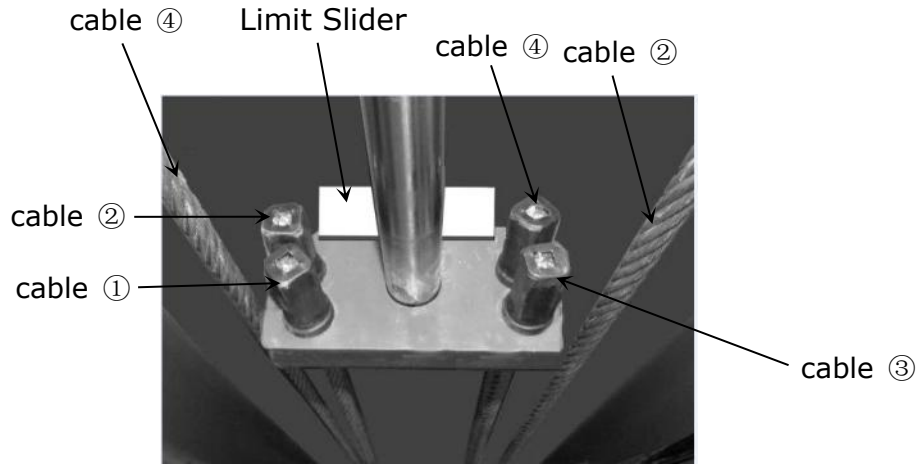
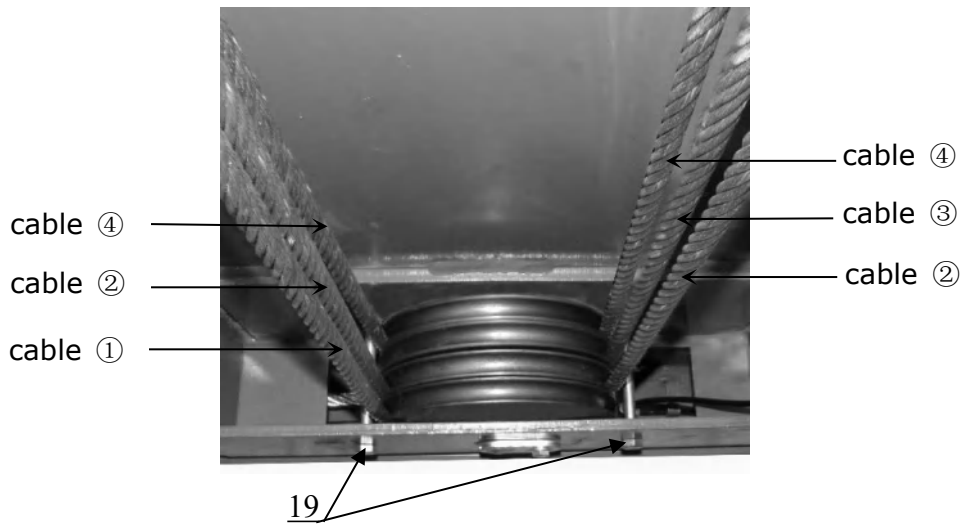
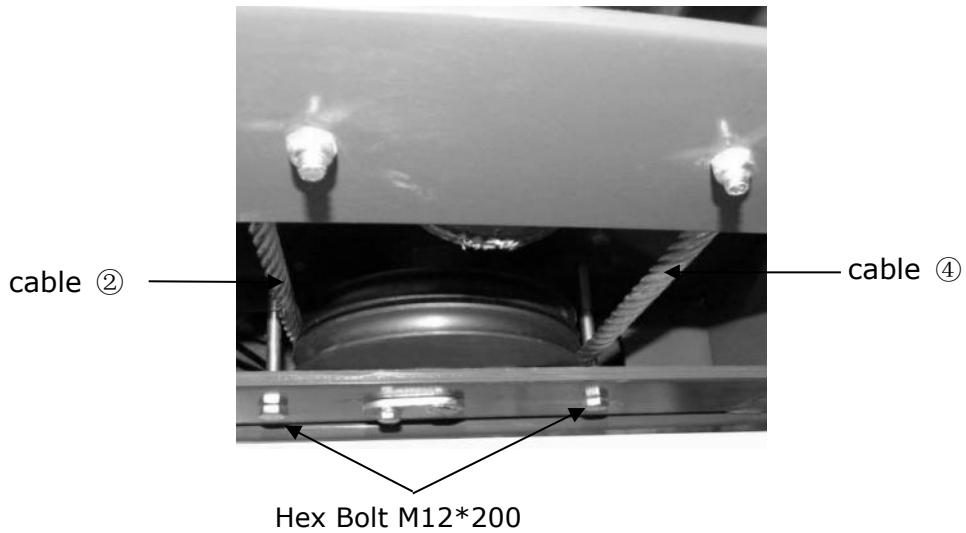


Illustration for Cable connection plate

**Fig.27**



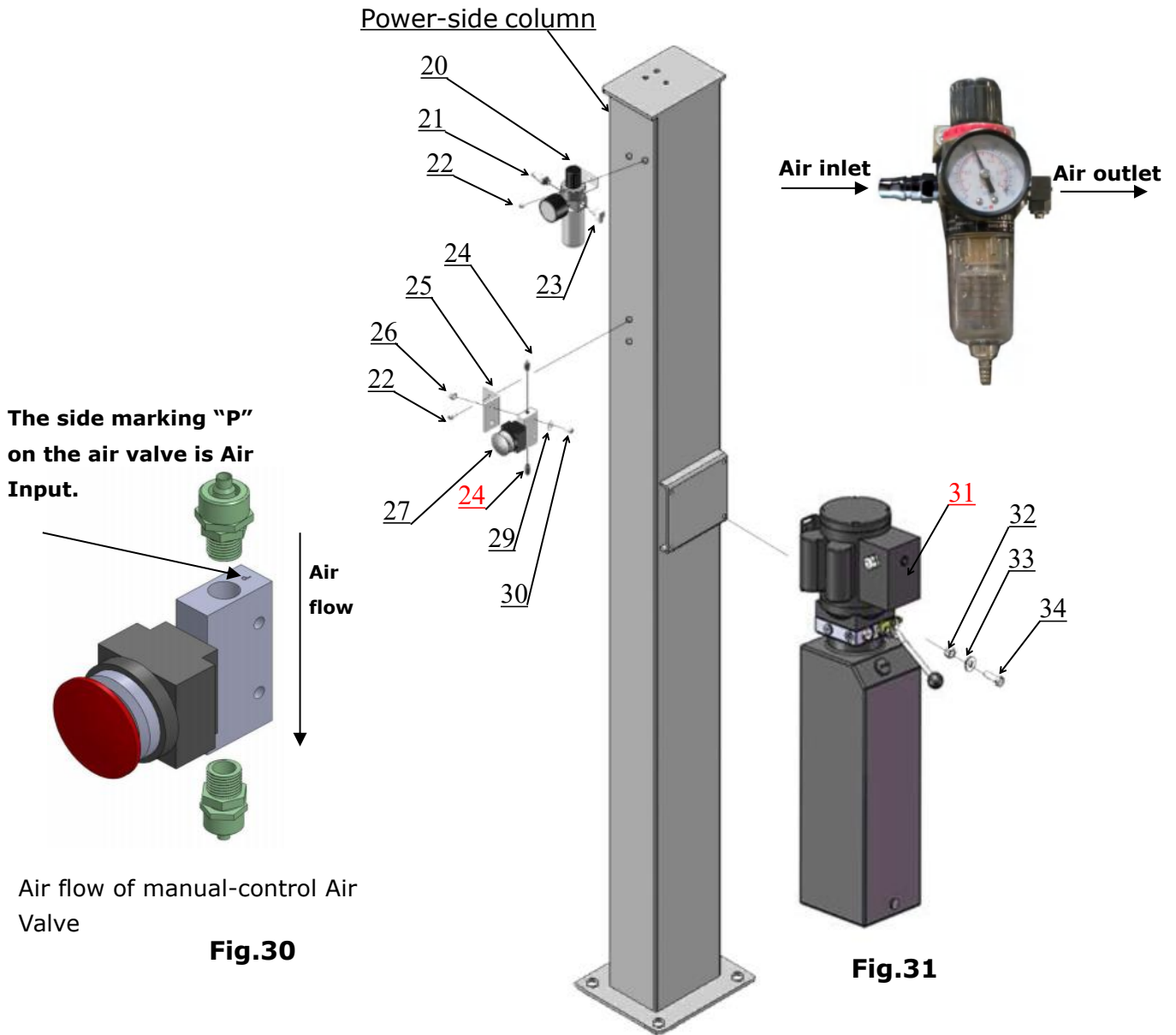
**Fig.28**



**Fig.29**

### K. Install oil-water separator, manual control air valve and power unit

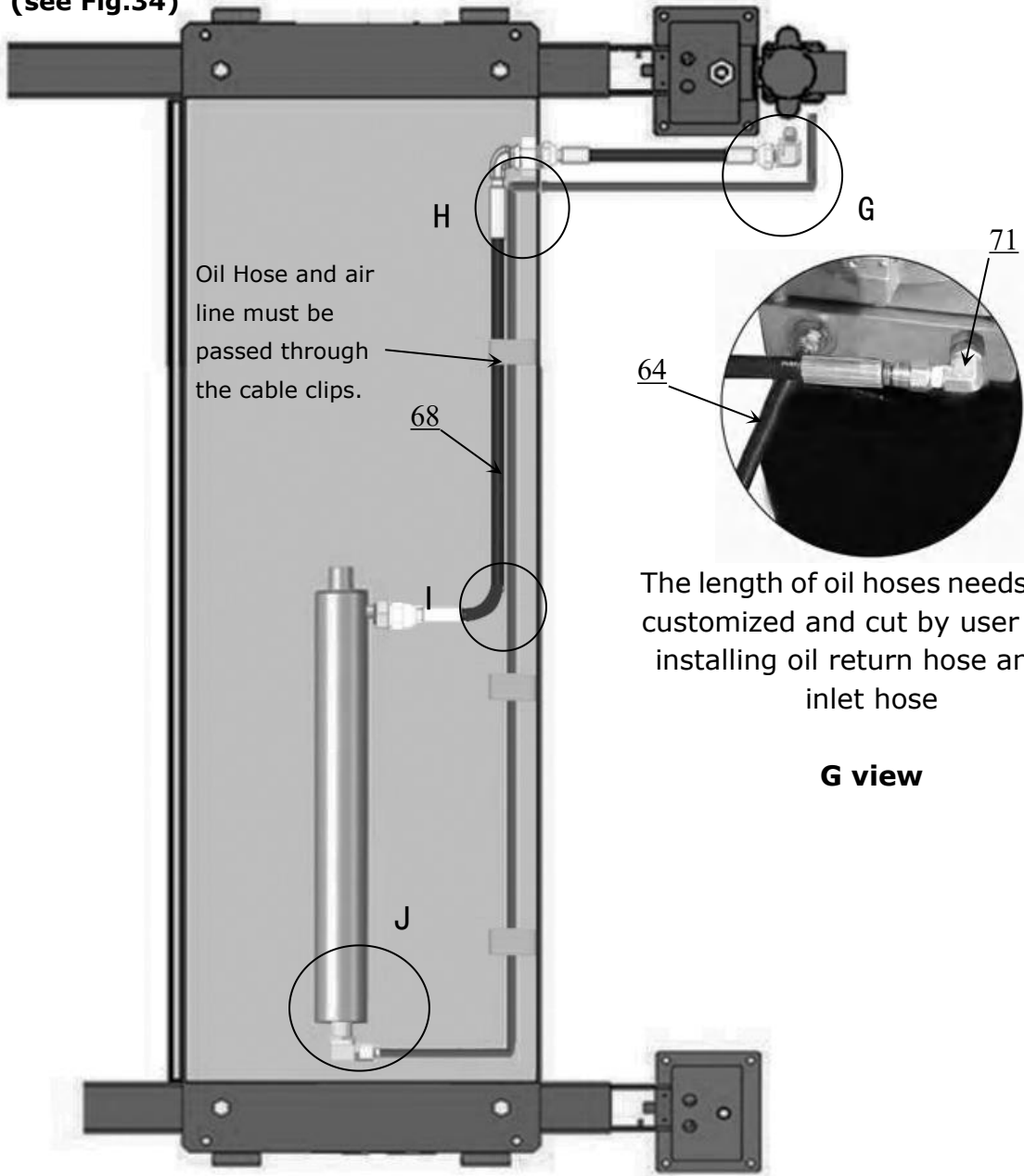
(See Fig. 30, Fig.31 )



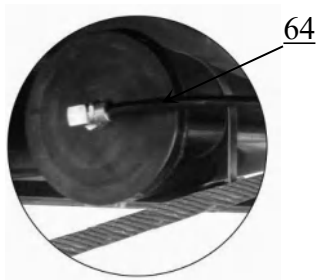
Item	Part#	Description	QTY
20	10420145	Oil/water separator AFR-2000	1
21	10420146	Straight fitting for air line	1
22	10209009	Cap head bolt M6*8	12
23	10420076	90° fitting for air line 6*8 screw thread	1
24	10420159	Straight fitting for air line 6*8 crew thread	2
25	11420160	Fixing plate of Manual control valve	1
26	10420161	Self locking nut M4	2
27	10420162	Manual control air valve	1
29	10420148	Washer φ4	4
30	10420164	Cap head bolt M4*30	2
31	071102	Manual hydraulic power unit	1
32	10209005	Self locking nut M8	6
33	10209004	Rubber ring φ8*20*3	4
34	10209003	Hex bolt M8*25	4

**L. Install hydraulic system (See Fig. 32, Fig.33, Fig.34)**

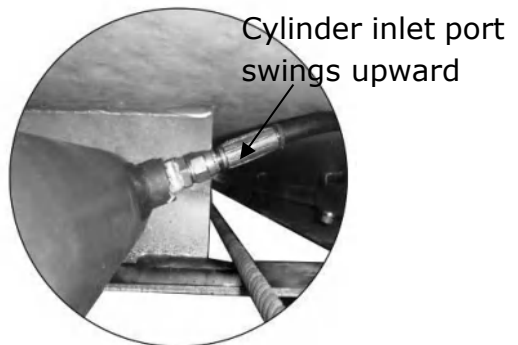
**Note:** Oil hoses and oil return pipe connected to oil cylinder must be passed above the cable, cylinder inlet port must swing upward to avoid the oil hose and oil return pipe scratched by cable (see Fig.34)



The length of oil hoses needs to be customized and cut by user when installing oil return hose and oil inlet hose



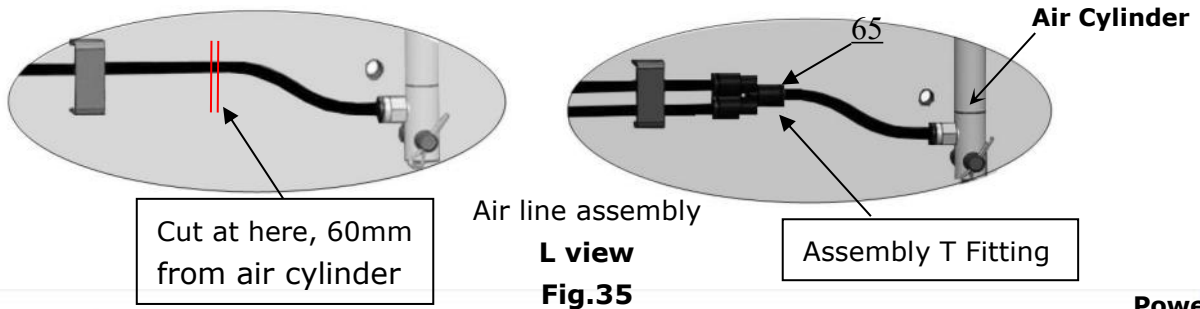
Assembly of oil return pipe  
**J View**  
**Fig.34**



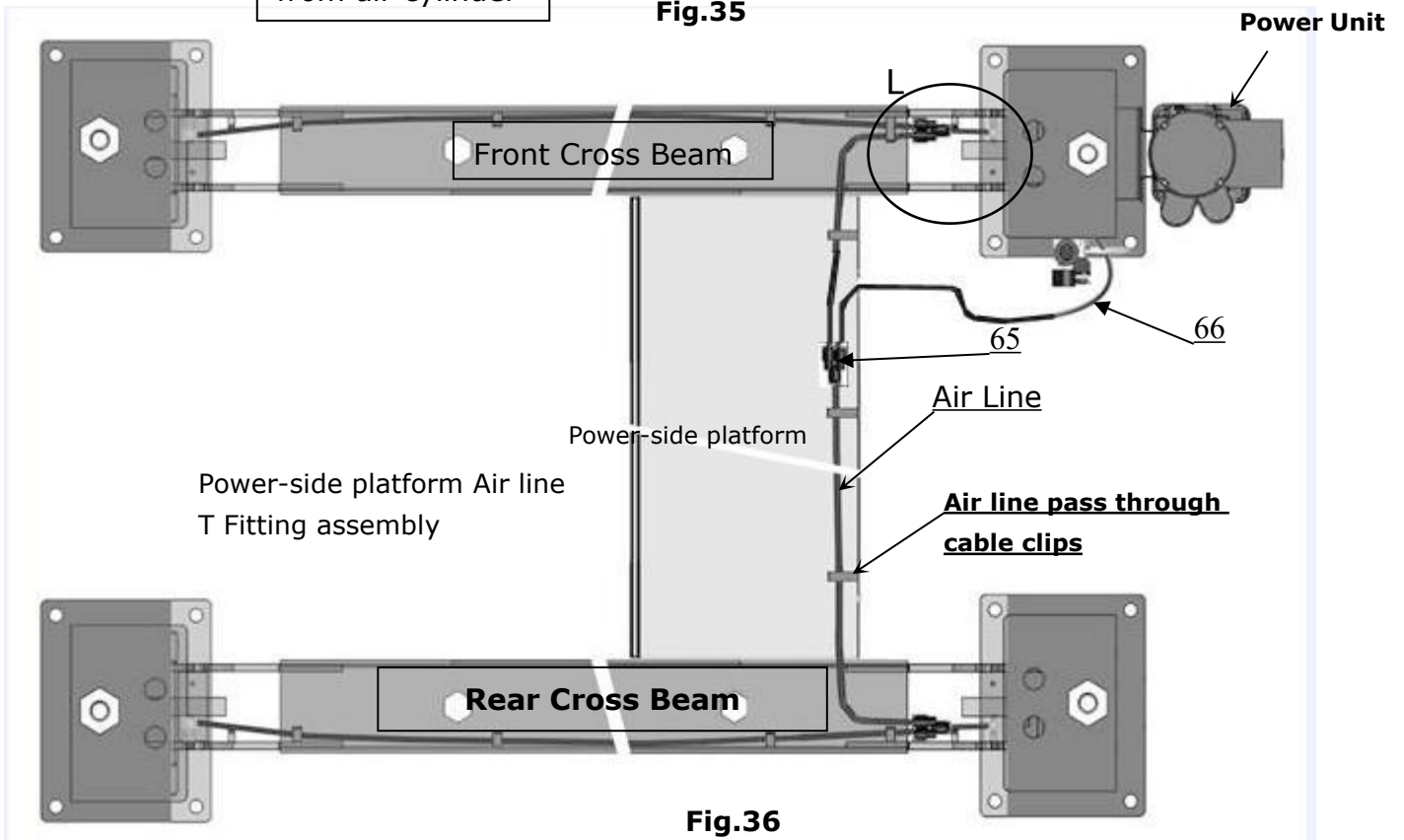
**I View**  
**Fig.33**

**M. Install air-line system**

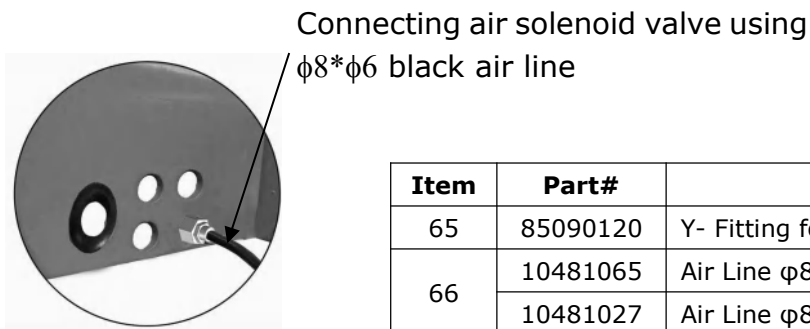
1. Cut  $\phi 8 \times \phi 6$  black air line on the front and rear cross beam ( cut the air line at the position about 60mm from air cylinder) , and then connect to T-fitting. **(See Fig.35)**
2. Connecting front and rear cross beam cylinders by using  $\phi 8 \times \phi 6$  black air line (the actual length of air line can be cut by user) **(See Fig.36)**
3. Connecting air solenoid valve using  $\phi 8 \times \phi 6$  black air line (the actual length of air line can be cut by user) **(See Fig. 37)**



**Fig.35**  
Air line assembly  
**L view**



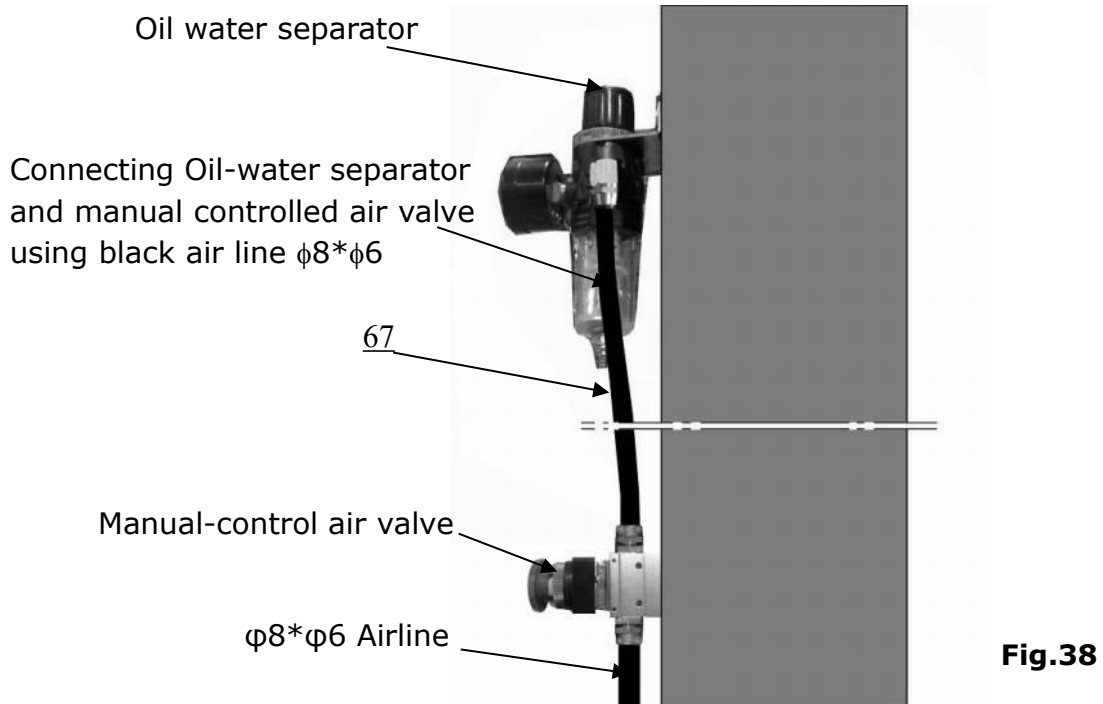
**Fig.36**



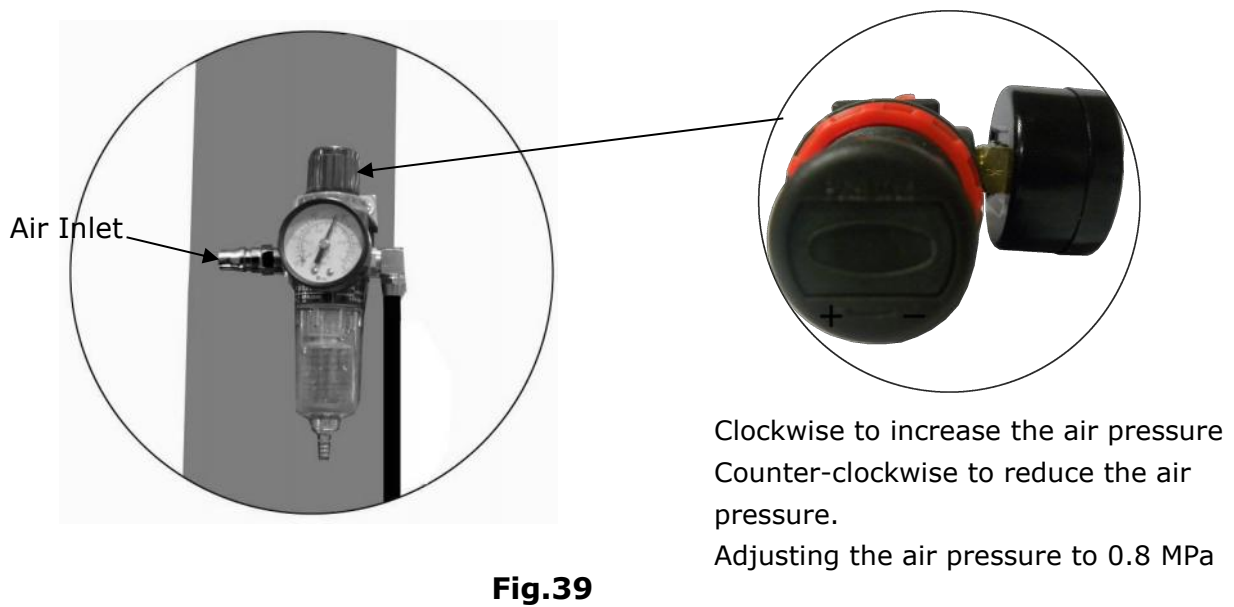
**Fig 37**

Item	Part#	Description	PRO-40	PRO-40E
65	85090120	Y- Fitting for Air hose	3	3
66	10481065	Air Line $\phi 8 \times \phi 6 \times 11600$ mm (black)	1	0
	10481027	Air Line $\phi 8 \times \phi 6 \times 13100$ mm (black)	0	1
67	10420167A	Air Line $\phi 8 \times \phi 6 \times 460$ mm (black)	1	1

4. Connect Airline with oil-water separator and manual control air valve. **(See Fig.38)**



5. Connecting air inlet (Air supply pressure 8 kg/cm<sup>2</sup>), adjusting the air pressure of Oil-water separator to 0.8 MPa **(See Fig.39)**



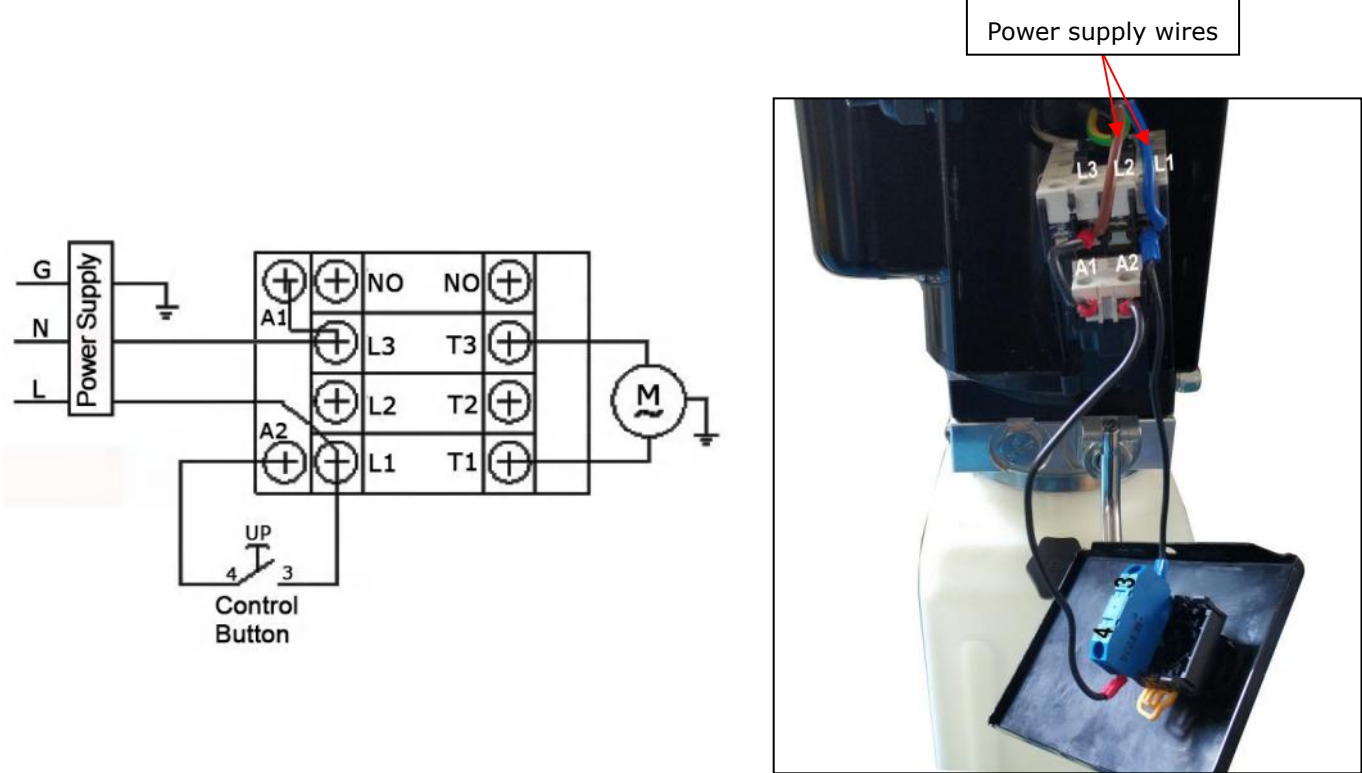


## N. Install Electrical System

Connect the power source on the data plate of Motor.

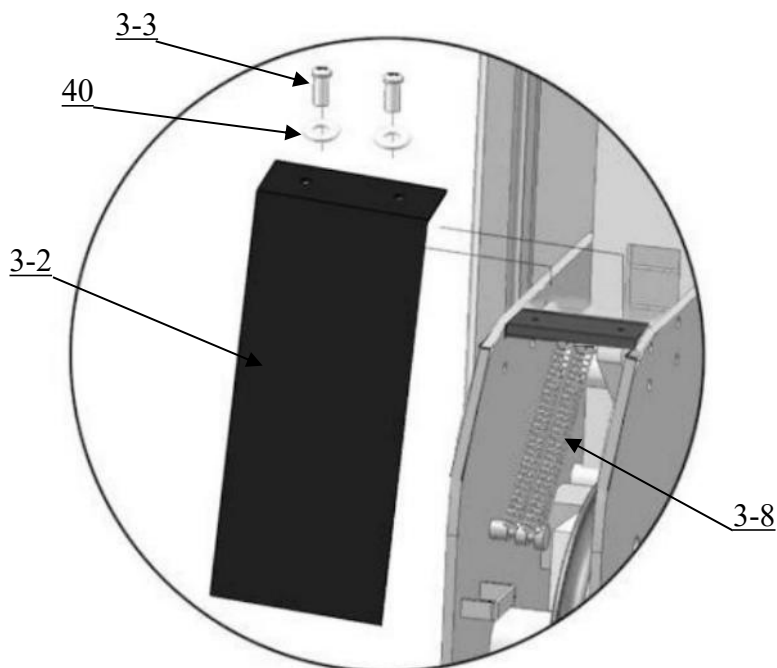
### Single phase motor (See Fig. 40)

Connecting the two power supply wires (active wire **L** and neutral wire **N**) to terminals of AC contactor marked L1, L3 respectively. Earth wire( yellow and green wire) is connected with the earth wire terminal of the motor



**Fig. 40**

## O. Install spring and safety cover of cross beam (See Fig. 41)

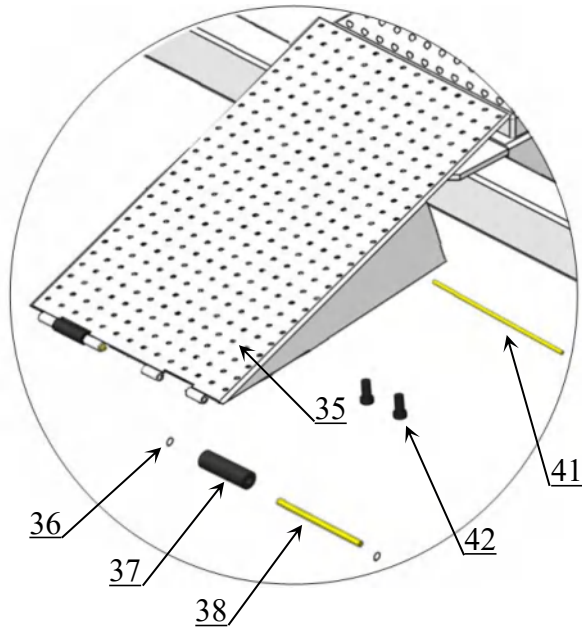


**Fig. 41**



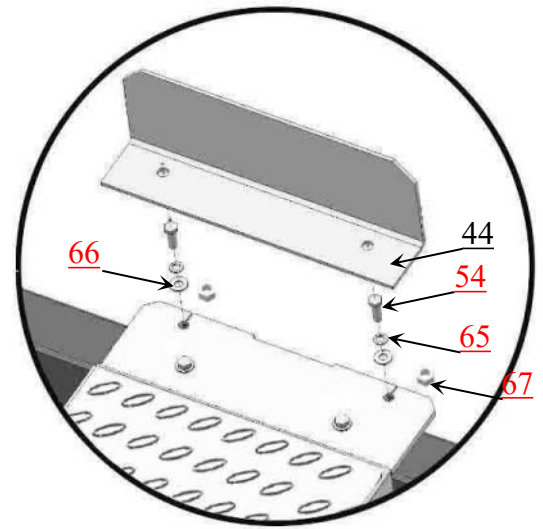
**P. Install Drive-in ramp, Tire stop plate. (See Fig. 42, Fig. 43)**

Install Drive-in ramp



**Fig.42**

Install Tire stop plate



**Fig. 43**

#### IV. EXPLODED VIEW

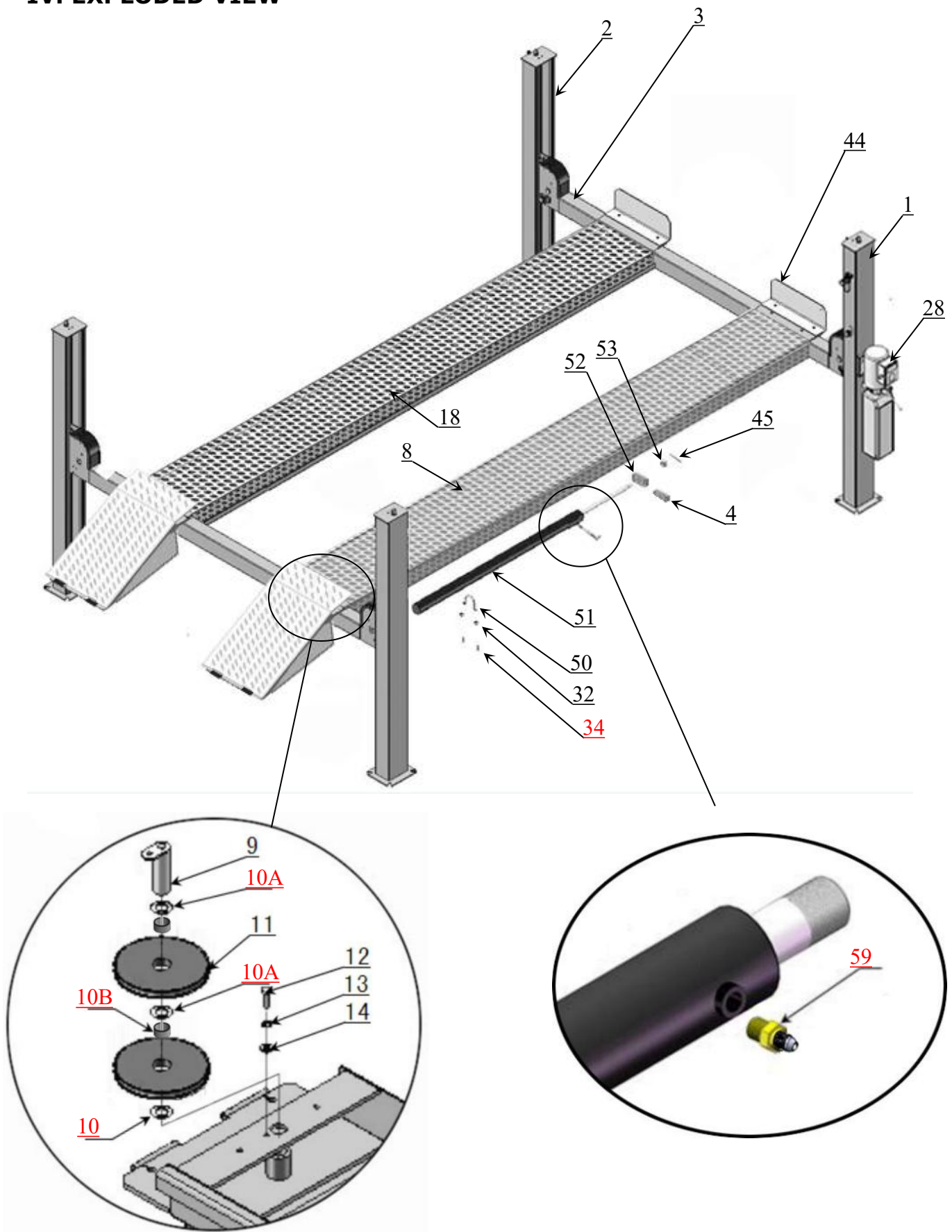


Fig 44

**Parts list for PRO-40 PRO-40E**

Item	Part#	Description	PRO-40	PRO-40E
1	11481640	Power side Column	1	1
2	11481641	Offside Column	3	3
3	1104352002	Cross Beam Assy.	2	2
4	10481023	Slider block (HK018) 59*55*190	1	1
5	10201140	Anchor Bolt 3/4*6-1/2	16 sets	16 sets
6	11481036	Safety Ladder	4	4
7	10481018	Hex Nut M33*3.5	16	16
8	11400001	Power-side Platform	1	0
	11400029		0	1
9	11481035	Pulley shaft	2	2
10	10481069	Pulley washer $\phi$ 115* $\phi$ 76*2.5	10	10
10A	10481021-01	Pulley washer $\phi$ 120* $\phi$ 76*8 (HK017)	4	4
10B	10481025	Bronze Bush $\phi$ 85* $\phi$ 75*30	10	10
11	11481639	Pulley $\phi$ 310*32	6	6
12	10206017	Hex bolt M10*20	2	2
13	10209039	$\phi$ 10 Spring Washer	2	2
14	10209022	$\phi$ 10*1.5 Washer	2	2
15	10481078	Hex bolt M24*60	8	8
16	10481003	$\Phi$ 24 Spring Washer	8	8
17	10481002	$\Phi$ 24 Washer	8	8
18	11400002	Offside platform	1	0
	11400030		0	1
19	10481017	Hex bolt M12*200	4	4
20	10420145	Oil-water separator AFR-2000	1	1
21	10420146	Straight fitting for air line	1	1
22	10209009	Cap head bolt M6*8	12	12
23	10420076	90° fitting for air line 6*8	1	1
24	10420159	Straight fitting for air line 6*8	2	2
25	11420160	Fixing plate of Manual control air valve	1	1
26	10420161	Self locking nut M4	2	2
27	10420162	Manual control air valve	1	1
28	11481617	Pulley $\phi$ 204*32	4	4
29	10420148	$\phi$ 4 Washer	4	4
30	10420164	Cap head bolt M4*30	2	2
31	071107	Manual hydraulic power unit	1	1
32	10209005	Self locking nut M8	6	6
33	10209004	Rubber ring $\phi$ 8*20*3	4	4
34	10209003	Hex Bolt M8*25	6	6
35	11400004	Drive-in ramp	2	2
36	11610667	Drive-in ramp pulley $\phi$ 26*76	4	4
37	11620043	Drive-in ramp pulley pin $\phi$ 10*172	4	4
38	10209010	$\phi$ 10 Snap ring	12	12
39	10420156	Protecting ring $\phi$ 24	1	1
40	10420045	$\phi$ 6 Washer	20	20

41	11481016	Pin for Drive-in ramp	2	2
<b>Item</b>	<b>Part#</b>	<b>Description</b>	<b>PRO-40</b>	<b>PRO-40E</b>
42	10420005	Fixing bolt M5*8	4	4
43	10481500	Parts box	1	1
44	11481638	Tire stop plate	2	2
45	10481020	Split pin $\phi$ 5*60	1	1
46	10620065	Shim (2mm)	20	20
	10201090	Shim (1mm)	20	20
47	10206023	Self locking nut M12	4	4
48	11481046	Cable limit pin	4	4
49	10420016B	Platform lock plate $\phi$ 40*2*1500mm	1	1
50	11400011	Fixed ring for cylinder	1	1
51	10400017	Cylinder $\phi$ 140*1650	1	1
52	11400611	Cylinder connecting plate	1	1
53	1004356001	Hex nut M42*4.5	1	1
54	10481001	Hex screw M24	4	4
54A	10481002	$\phi$ 24 Spring Washer	4	4
54B	10481003	$\phi$ 24 Washer	4	4
55	10400005-01	① Cable $\phi$ 19*4915mm	1	0
	10400022-01	① Cable $\phi$ 19*6405mm	0	1
56	10400008-01	② Cable $\phi$ 19*14830mm	1	0
	10400025-01	② Cable $\phi$ 19*17775mm	0	1
57	10400006-01	③ Cable $\phi$ 19*7115mm	1	0
	10400023-01	③ Cable $\phi$ 19*8610mm	0	1
58	10400007-01	④ Cable $\phi$ 19*12645mm	1	0
	10400024-01	④ Cable $\phi$ 19*1558mm	0	1
59	10420119	Fitting 1/4JIC(M)*3/8NPT(M)	1	1
60	10201114	Spring Washer $\phi$ 20	1	1
61	10209128	Washer $\phi$ 20	1	1
62	10420175A	Hex screw M20	1	1
63	10420166	90° Fitting screw thread	1	1
64	10481013	Oil Return pipe (black) $\phi$ 6* $\phi$ 4*7300mm	1	0
	10481066	Oil Return pipe (black) $\phi$ 6* $\phi$ 4*8825mm	0	1
65	85090120	Y fitting for air hose	3	3
66	10481065	Air hose $\phi$ 6* $\phi$ 8*11600mm (black)	1	0
	10400027	Air hose $\phi$ 6* $\phi$ 8*13100mm (black)	0	1
67	10420167A	Air hose $\phi$ 8* $\phi$ 6*460mm (black)	1	1
68	10481083-03	Oil hose 5/16"*3435mm	1	0
	10400026-02	Oil hose 5/16"*4925mm	0	1
69	10420120	Extended straight fitting with nut	1	1
70	10460038	Oil Hose 5/16"*1500mm	1	1
71	10209060	90° Fitting for power unit	1	1
72	1104354001	Backing plate $\phi$ 54*20	4	4

## 4.1 Cross beam (1104352002) Exploded View

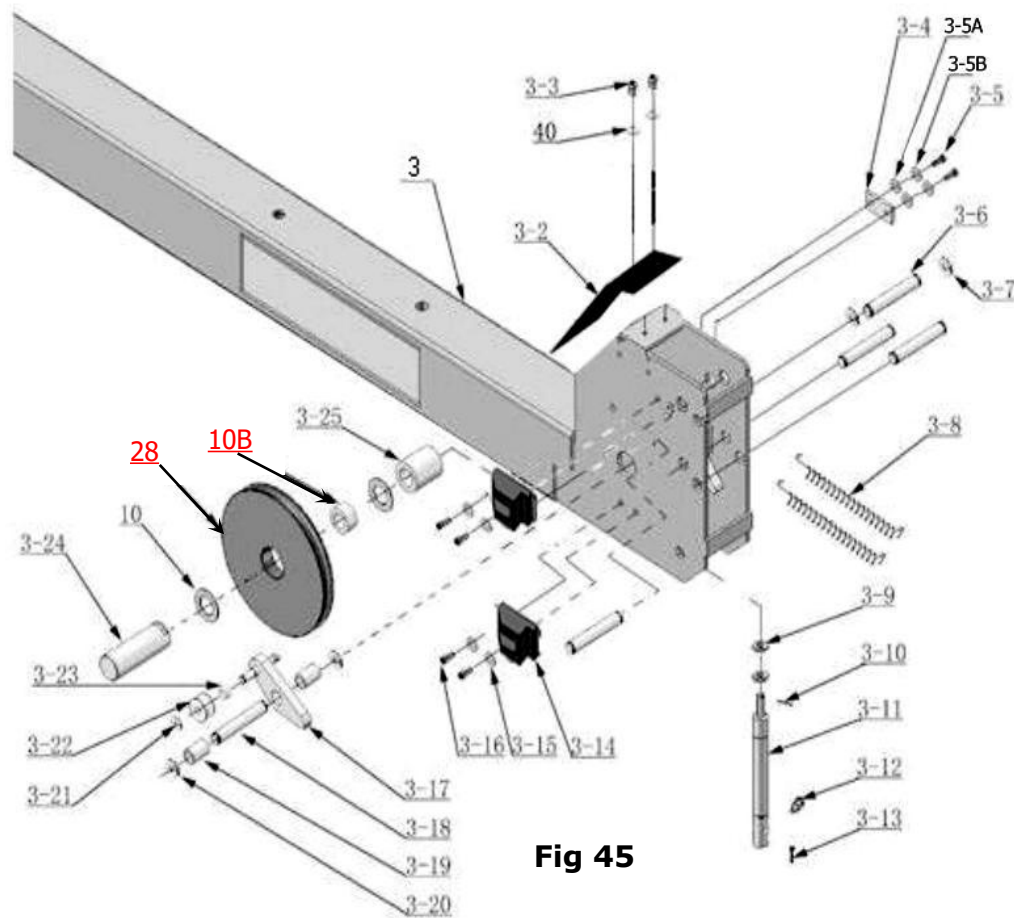


Fig 45

Item	Part#	Description	QTY
3-1	11400003	Cross Beam Assy.	2
3-2	11481618	Cross Beam Cover	4
3-3	10209009	Cap Head Bolt M6*8	8
3-4	1104332001-01	Limit Plate	4
3-5	10101029	Socket Bolt M12*20	8
3-5A	10420026	Spring Washer $\phi 12$	8
3-5B	10206006	Washer $\phi 12$	8
3-6	11481029	$\phi 16$ Pin	12
3-7	10420037	$\phi 16$ Snap Ring	24
3-8	10420033	Spring	8
3-9	10209021	Hex Nut M10	8
3-10	10420049	Split Pin $\phi 2*16$	4
3-11	10400020	Air Cylinder	4
3-12	10481073	Fitting for Air Cylinder	4
3-13	10420046	Split Pin $\phi 4*30$	4
3-14	10481070	Slider Block (HK020)	16
3-15	10209033	$\phi 8$ Washer	40
3-16	10420043	Socket Bolt M8*20	32
3-17	11481642	Slack-cable safety lock (Left)	1
	11481643	Slack-cable safety lock (Right)	1
3-18	11481028	$\phi 30$ Pin	8

3-19	11481032	Pin Bush For Slack-cable Safety Lock	8
3-20	10610008	φ30 Snap Ring	16
3-21	10209010	φ10 Snap Ring	4
3-22	10481027	Tension Pulley	4
3-23	11420174	Spacer	4
3-24	11481030-01	Pulley shaft	4
3-25	11481031	Pulley Bush	4

#### 4.2 Cylinder (10400017) Exploded View

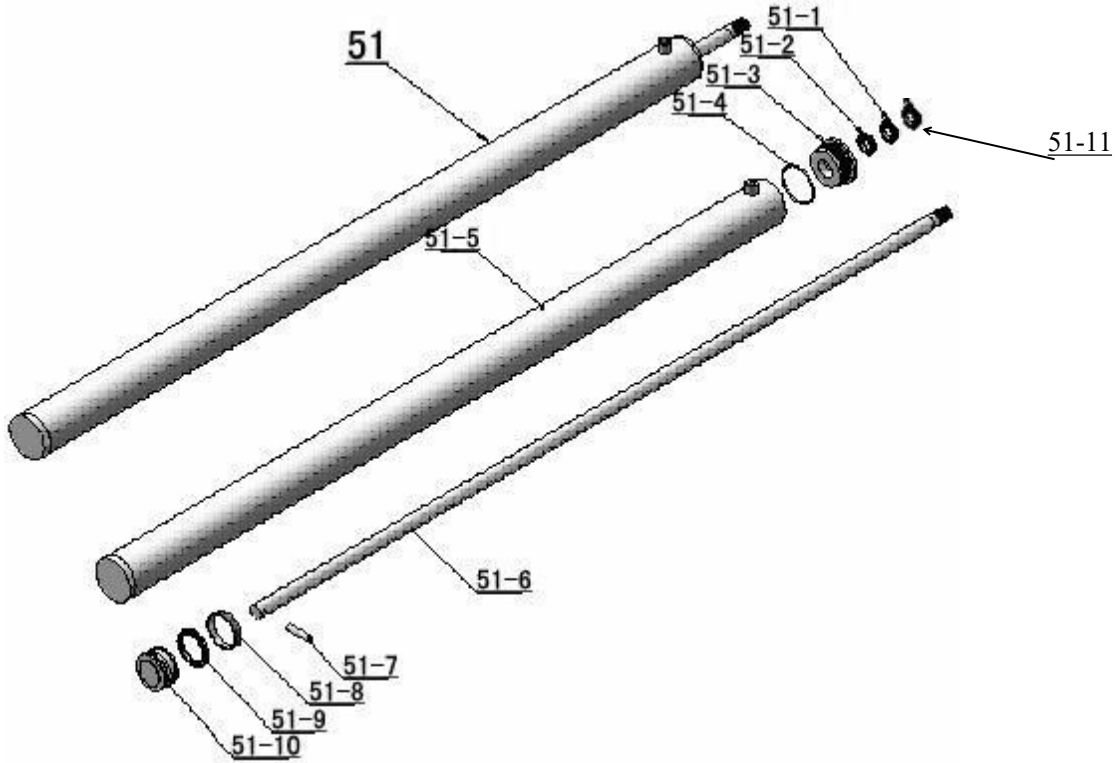
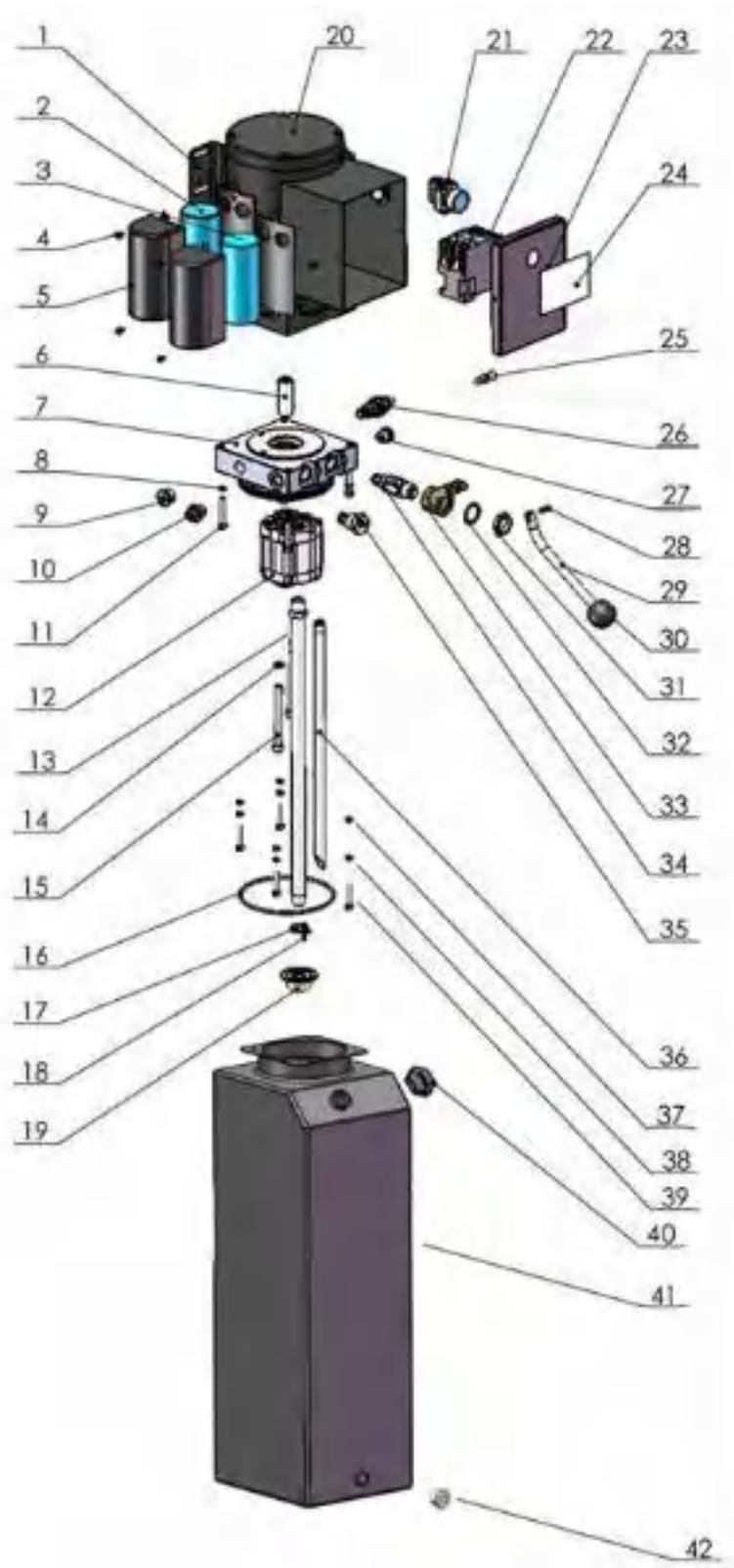


Fig. 46

Item	Part#	Description	QTY
51-1	10217078	Dust Ring φ45*φ53*(5~6.5)	1
51-2	1004356003	Y- Ring IDI φ45*φ55*8	1
51-3	11400035	Head Cap	1
51-4	1004356002	O- Ring φ140*5.3	1
51-5	11400033	Bore Weldment	1
51-6	11400031	Piston Rod φ45*1919	1
51-7	11400015	Pin	1
51-8	10400014	Support Ring φ134*φ140*20	
51-9	10400012	Y- Ring OSI φ125*φ140*9	1
51-10	11400036	Piston	1
51-11	1004356004	Support Ring φ45*φ51*15*3	1



### 4.3 Power Unit (071107) Exploded View



**Fig.47**

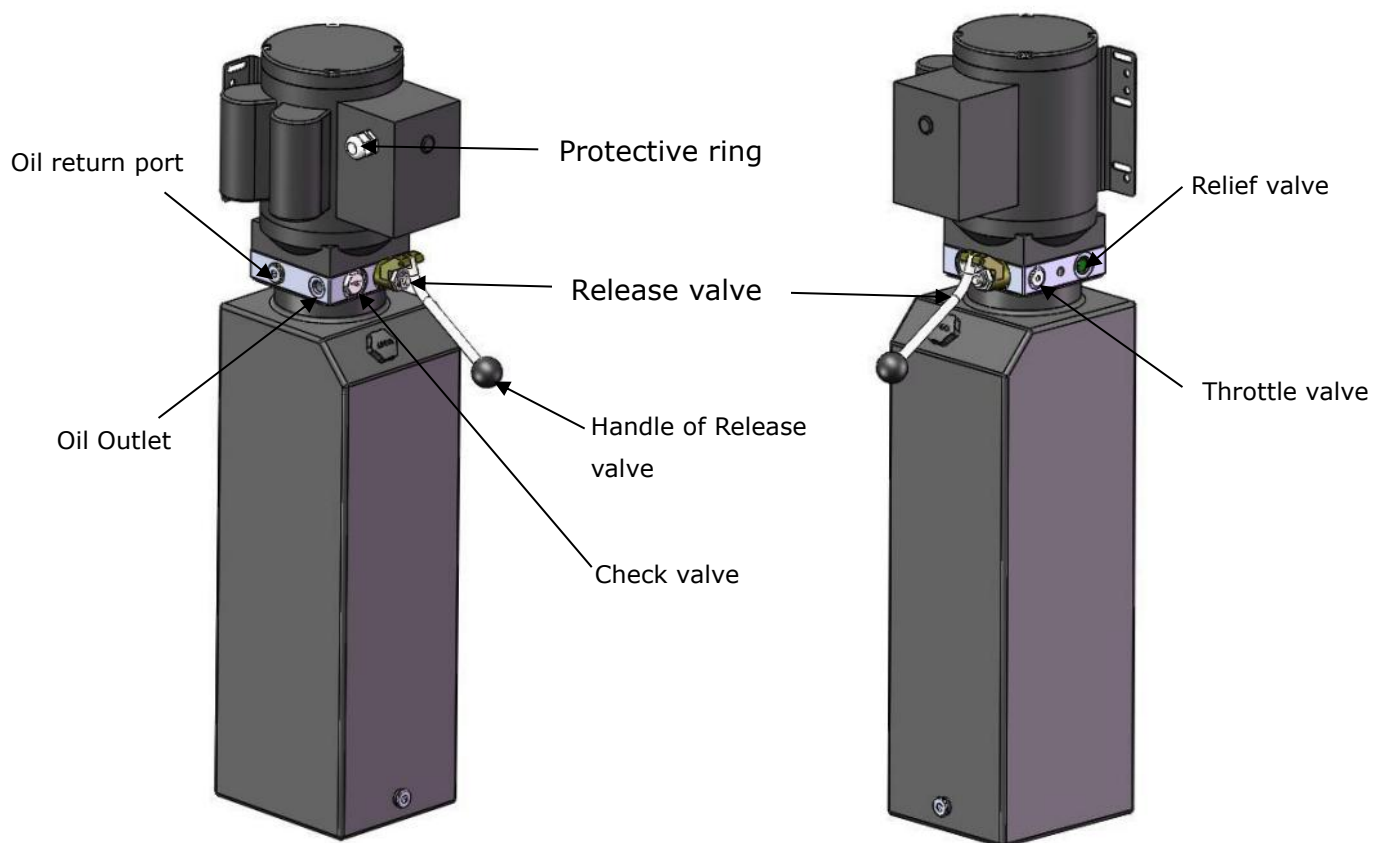
220V/60Hz Single Phase  
Manual Power Unit  
Exploded View



## Part list for 220V/60Hz Single Phase Manual Power Unit

Item	Part#	Description	QTY
1	81400180	Rubber pad	2
2	81400250	Start capacitor	1
3	81400200	Run capacitor	1
4	10420148	Cap head bolt	6
5	81400066	Capacitor cap	2
6	81400363	Motor Connecting Shaft	1
7	81400369	Manifold block	1
8	10209149	Spring washer	4
9	81400276	Iron plug	1
10	81400259	Red rubber plug	1
11	85090142	Socket bolt	4
12	81400292	Gear Pump	1
13	81400589	Oil suction pipe	1
14	10209034	Spring washer	2
15	81400295	Socket bolt	2
16	81400365	O Ring	1
17	10209152	Ties	1
18	85090167	Magnet	1
19	81400290	Filter net	1
20	81400413	Motor	1
21	10420070	Push button	1
22	41030055	AC contactor	1
23	81400287	Cover of Motor Terminal Box	1
24	71111168	Sticker for AMGO Power unit	1
25	81400560	Throttle valve	1
26	81400266	Relief valve	1
27	81400284	Iron plug	1
28	10720118	Elastic pin	1
29	81400451	Handle of Release Valve	1
30	10209020	Plastic ball for release handle	1
31	81400125	Release valve nut	1
32	81400422	Self-locking washer	1
33	81400449	Valve seat (low)	1
34	81400567	Release valve (low)	1
35	81400566	Check valve	1
36	81400367	Oil return pipe	1
37	10420152	Washer	4
38	10209143	Spring washer	4
39	81400438	Hex bolt	4
40	81400263	Oil tank cap	1
41	81400536	Oil tank	1
42	81400276	Iron plug	1

**Illustration of Hydraulic Valve for power unit (See Fig.48)**

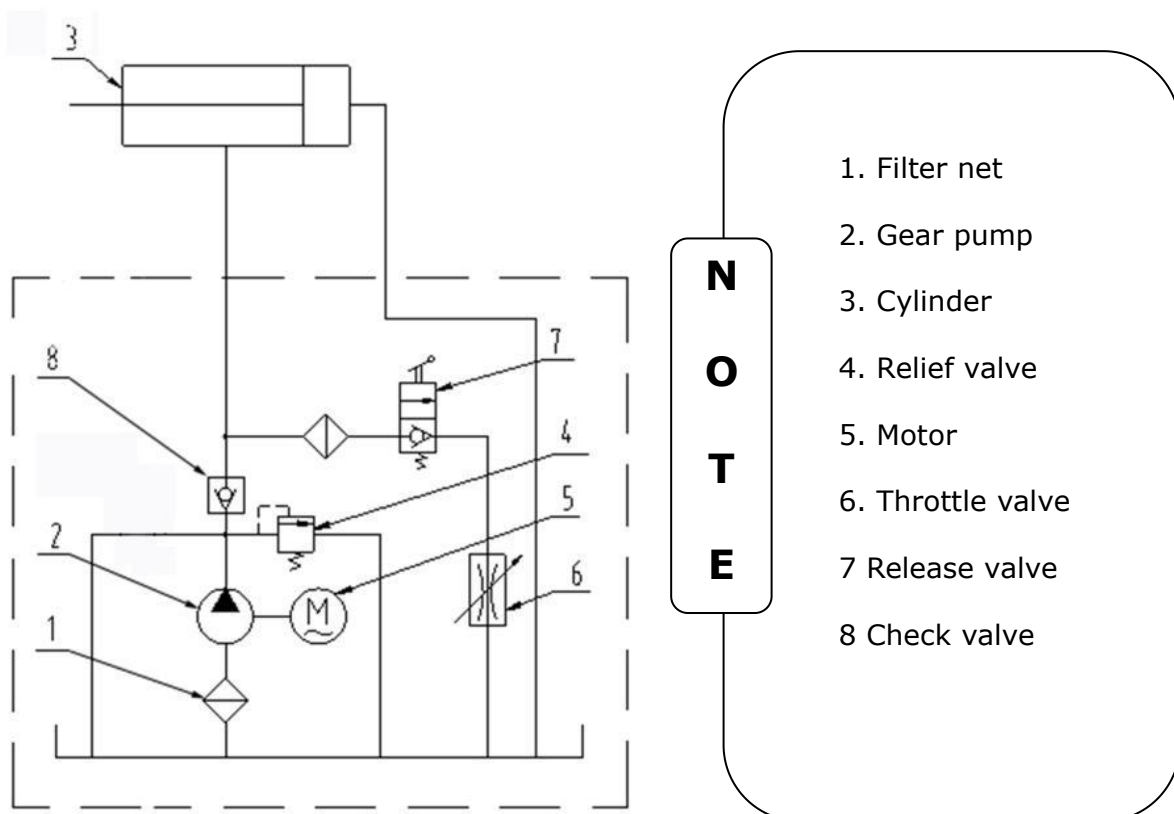


**Fig.48**

## V. TEST RUN

1. Fill the reservoir with approximately 26L Hydraulic Oil (**Note:** In consideration of Power Unit's durability, please use **Hydraulic Oil 46#**).
2. Press the button on the power unit, the Cables will be strained. Check whether the Cables match the Pulley. Make sure the Cables are not across.
3. Press the release handle of the power unit to lock the Cross-beam to the safety ladders, and then adjust the platforms to be level by adjusting the nuts of Safety Ladders.
4. Adjust the cable fitting Hex nuts to make platforms and four safety locks work synchronously. Lift up and down for several times, meanwhile do the synchronous adjustment till the four Safety Devices can be locked and released at the same time.
5. Adjust the clearance between the post and the plastic slider of Cross-beam to about 2mm, and then tighten the fixing nut of slider.
6. After finishing the above adjustment, testing the lift with load. Lift the Platforms in low position first, make sure the Platforms can be up and down synchronously and the Safety Device can be locked and released synchronously. And then raise the lift to the top completely. If there are anything improper, repeat the above adjustment.

### Circuit Diagram of Hydraulic System



**Fig.49**

## **VI. OPERATION INSTRUCTIONS**

### **To lift vehicle**

1. Keep clean of environment near the lift;
2. Drive vehicle to the Platform and put on the brake;
3. Turn on the power and press the button, raise the lift to the working position;

**Note: make sure the vehicle is steady when the lift is raised.**

4. Press the Handle of release valve to lock the lift in the safety position. Make sure the Safety device is locked at the same height.

### **To lower vehicle**

1. Be sure the clearance of around and under the lift, only leaving operator in lift area;
2. Press the button, the lift will be raised for 3-5 seconds, and then press the button of Manual-controlled air valve by hand to make sure the safety device released, press the handle of release valve by the other hand then the lift starts being lowered automatically;
3. Drive away the vehicle when the lift is lowered to the lowest position.
4. Turn off the power.

## **VII. MAINTENANCE SCHEDULE**

### **Monthly:**

1. Re-torque the anchor bolts to 150 N·m;
2. Lubricate cable with lubricant;
3. Check all cable connection, bolts and pins to insure proper mounting;
4. Make a visual inspection of all hydraulic hoses/lines for possible wear or leakage;
5. Lubricate all Rollers, Safety devices with 90wt. gear oil or equivalent.

**Note: All anchor bolts should take full torque. If any of the bolts does not function for any reason, DO NOT use the lift until the bolt has been replaced.**

### **Every six months:**

1. Make a visual inspection of all moving parts for possible wear, interference or damage.
2. Check and adjust as necessary, equalizer tension to insure level lifting.
3. Check the vertical of columns.

**Oil cylinder maintenance:**

In order to extend the service life of the oil cylinder, please operate according to the following requirements.

1. Recommend to use N46 anti-wear hydraulic oil.
2. The hydraulic oil of the lifts should be replaced regularly during using. Replace the hydraulic oil 3 months after the first installation, Replace the hydraulic oil once a year afterwards.
3. Make at least one full trip raising and lowering per day. For exhausting the air from the system, which could effectively avoid the corrosion of the cylinder and damage to the seals caused by presence of air or water in the system.
4. Protect the outer surface of the oil cylinder's piston rod from bumping and scratching, and timely clean up the debris on the oil cylinder dust-ring and the piston rod.

## VIII. TROUBLE SHOOTING

TROUBLE	CAUSE	REMEDY
Motor does not run	<ol style="list-style-type: none"> <li>1. Start Button does not work</li> <li>2. Wiring connections are not in good condition</li> <li>3. Motor burned out</li> <li>4. AC contactor burned out</li> <li>5. Height limit switch is damaged</li> </ol>	<ol style="list-style-type: none"> <li>1. Press start button.</li> <li>2. Repair all wiring connections</li> <li>3. Repair or replace motor</li> <li>4. Replace AC contactor</li> <li>5. Replace</li> </ol>
Motor runs but the lift is not raised	<ol style="list-style-type: none"> <li>1. Motor runs in reverse rotation</li> <li>2. Release valve in damage</li> <li>3. Gear pump in damage</li> <li>4. Relief valve or check valve in damage</li> <li>5. Low oil level</li> </ol>	<ol style="list-style-type: none"> <li>1. Reverse two power wire</li> <li>2. Repair or replace</li> <li>3. Repair or replace</li> <li>4. Repair or replace</li> <li>5. Fill tank</li> </ol>
Lift does not stay up	<ol style="list-style-type: none"> <li>1. Release valve out of work</li> <li>2. Relief valve or check valve leakage.</li> <li>3. Cylinder or fittings leaks</li> </ol>	Repair or replace
Lift raises too slow	<ol style="list-style-type: none"> <li>1. Oil line is jammed</li> <li>2. Motor running on low voltage</li> <li>3. Oil mixed with Air</li> <li>4. Pump leaks</li> <li>5. Overload lifting</li> </ol>	<ol style="list-style-type: none"> <li>1. Clean the oil line</li> <li>2. Check electrical system</li> <li>3. Fill tank</li> <li>4. Replace Pump</li> <li>5. Check load</li> </ol>
Lift cannot lower	<ol style="list-style-type: none"> <li>1. Safety device are in activated</li> <li>2. Release valve damaged</li> <li>3. Air Cylinder damaged</li> <li>4. Air line leaks</li> </ol>	<ol style="list-style-type: none"> <li>1. Release the safeties</li> <li>2. Replace or repair</li> <li>3. Replace the cylinder</li> <li>4. Check the air line</li> </ol>

## IX. LIFT DISPOSAL:

When the car lift cannot meet the requirements for normal use and needs to be disposed, it should follow local laws and regulations.



## **AMGO HYDRAULIC CORPORATION**

**Address:** 1931 Jo Rogers Blvd, Manning, South Carolina, USA

Tel: (803) 505-6410

Fax: (803) 505-6410

**NO.:** 72140202

**Date:** 2022/3