

HYDRAULIC SCISSOR COMMERCIAL LIFT

*Great performance and the perfect choice
for your commercial service.*



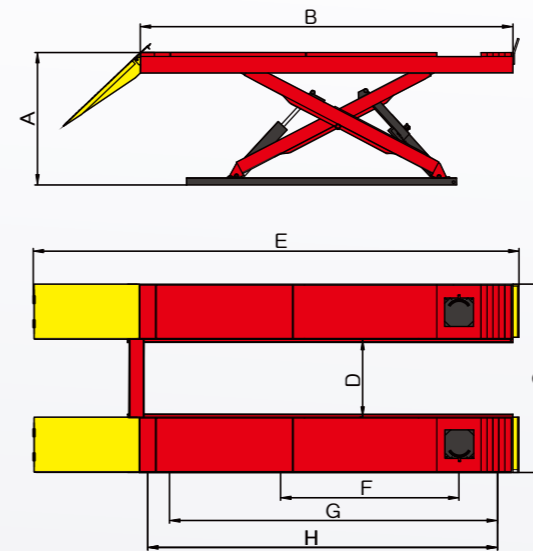
AX-12

AX-12A

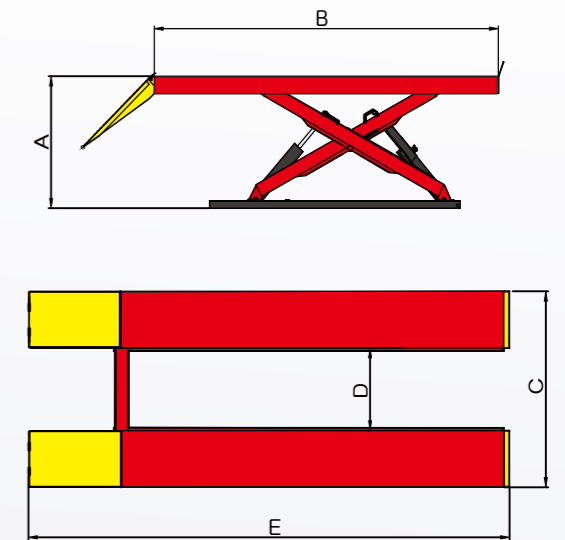
AX-16A

SPECIFICATIONS

Model		AX-12	AX-12A	AX-16A
Lifting Capacity		12,000lbs	12,000lbs	16,000lbs
Lifting Time		75S	75S	110S
Max. Lifting Height	A	73 5/8" (1870mm)	73 5/8" (1870mm)	73 5/8" (1870mm)
Min. Height		11 3/4" (300mm)	11 3/4" (300mm)	13" (330mm)
Runway Length	B	197 1/2" (5018mm)	197 1/2" (5018mm)	213 3/4" (5428mm)
Overall Width	C	90 1/8" (2290mm)	90 1/8" (2290mm)	94 1/8" (2390mm)
Width Between Runways	D	41" (1040mm)	41" (1040mm)	44 7/8" (1140mm)
Overall Length (Inc.Ramps)	E	267" (6784mm)	258" (6554mm)	274 1/8" (6964mm)
Min. Four Wheel Align	F	/	81 7/8"(2080mm)	98"(2490mm)
Max. Four Wheel Align	G	/	167 3/4"(4260mm)	184 1/2"(4680mm)
Max. Two Wheel Align	H	/	174"(4420mm)	190 1/2"(4840mm)
Gross Weight		4,925lbs (2259kg)	5,785lbs (2624kg)	6,345lbs (2878kg)
Motor		2.0HP, 220V/60Hz,single phase		



AX-12A AX-16A



AX-12

HYDRAULIC SCISSOR ALIGNMENT LIFT

This heavy-duty scissor lift has the support of four cylinders and each dual cylinder are designed to work synchronously.

- ✓ 2 dual synchronous cylinders are used to assure the optimal lifting level on both platforms.
- ✓ Electronic-air control system, which operates the self-locking safety mechanism.
- ✓ Heavy-duty design, the X serial scissor lift uses a 5 7/8" x 3" (150 x 75mm) tube to make it strong and assures the runways remain level during operation.
- ✓ Skid proof diamond platform provides traction for the tires to stay put.
- ✓ Optional rolling jacks:
 - J6H: 6,000 lbs with manual pump
 - J6A: 6,000 lbs with pneumatic pump
 - RJ-8A: 8,000 lbs with pneumatic pump
- ✓ More choices:
 - Optional turnplate Kits No. 40101 (AX-12A) (AX-16A)
 - Optional led lights Kits No. PX010
 - Optional extension Kits No. PX001 (AX-12)/PX002 (AX-12A)/PX003(AX-16A)
 - Optional airline Kits No. Px004



FEATURES



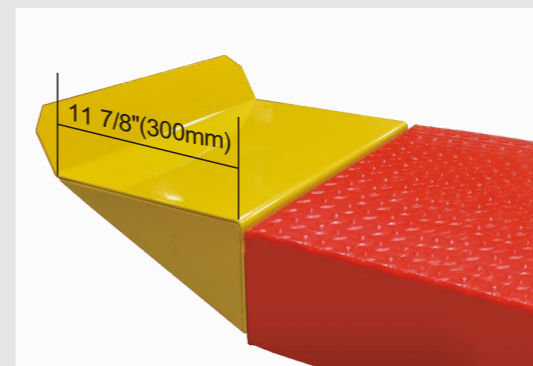
- Mechanical lock and air-driven safety release.



- Pull-out shelf for extra room allows more effective working environments



- Optional LED lights provide extra and efficient lighting for underneath the vehicle. Kits No.:PX010.



- Optional extension kits to extend the platform 11 7/8" (300mm). Kits No.:PX001(AX-12) Kits No.:PX002(AX-12A) Kits No.:PX003(AX-16A)



- Optional airline kits. Easy and convenient installation for all models of rolling jacks with a pneumatic pump. Kits No.:PX004