

Installation And Service Manual

PORTABLE LOW-RISE LIFT Model: LR10

Cargo Claims

If there is any missing or damaged product during transportation, the buyer must notate on the shipping paperwork or refuse the shipment. NOTATE ALL DAMAGE OR REFUSE DAMAGED SHIPMENT!

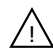
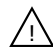

DANGER

Read the entire contents of this manual before using this product. Failure to follow instructions and safety precautions could result in serious injury or even death. Make sure all other operators also read this manual. Keep this manual near the machine so that it can be seen by all users. By proceeding with installation and operation, you agree that you are fully understand the contents of this manual and take full responsibility for the use of the product.

CONTENTS

PROFILE.....	1
IMPORTANT SAFETY INSTRUCTIONS.....	3
I. PRODUCT FEATURES AND SPECIFICATIONS.....	5
II. INSTALLATION REQUIREMENT.....	8
III. INSTALLATION STEPS.....	8
IV. EXPLODED VIEW.....	14
V. OPERATION INSTRUCTIONS.....	19
VI. MAINTENANCE SCHEDULE.....	21
VII. TROUBLE SHOOTING.....	22
VIII. CAR LIFT SAFETY TIPS	23
IX. LIFT DISPOSAL	23

Explanation of the safety warning symbols used in this manual

-  DANGER Risk of death or injury
-  WARNING Dangerous or unsafe practices that may result in death or injury
-  CAUTION Dangerous or unsafe practices that may result in personal injury, product damage or property damage
- ATTENTION Conditions that may result in damage to products or property

PROFILE

This installation and service manual is specially prepared for you. Your new lift is the product of over a decade of continuous research, testing and development and is the most technologically advanced lift on the market today.

Please make sure to read through this manual before operating the lift.

Record the information on the nameplate label here:

Model No.: _____

Serial No.: _____

Manufacturer date: _____

WARRANTY

The warranty period for the steel structure part of new car lift is 5 years, hydraulic components, bronze bushings, slider blocks and plastic parts are under warranty for 3 years, electrical components and cables warranty for 2 years. Rubber pads are without warranty. During the warranty period, the manufacturer will repair or replace the defective parts free of charge including shipping costs.

This warranty does not cover damage caused by normal wear and tear, improper use, damage in transit, or damage caused by lack of maintenance.

This warranty is unique and supersedes what is expressed and implied in all other warranties. The manufacturer shall not be liable for any particular, indirect or accidental damage resulting in breach of or delay in the execution of the warranty. The manufacturer reserves the right to design and improve the product and has no obligation to make notice of the changes in advance.

The product warranty based on the above clause is based on the model number and serial number of the equipment. This information must be provided in conjunction with all warranty information at the time of service and warranty.

SAFETY WARNING LABEL

! WARNING !

	
Please read the user manual before operation.	Please lock the safety device before repairing the vehicle.
	
Always wear protective shoes and mind your feet during lowering.	Please keep hands and feet away from "X" or connection points during operation.
	
Do not rock or shake raised vehicles	Unbalance lifting of vehicle is strictly forbidden.
	
The vehicle should be parallel with lift platforms.	Please run away quickly from any falling objects.

PLEASE READ THE PRECAUTIONS CAREFULLY

No.71030134


Fig.1

IMPORTANT SAFETY INSTRUCTIONS

In order to properly maintain your product and ensure operator safety, it is the responsibility of the product owner to read and follow these instructions!

1. Ensure product installation full complies with all applicable local and national rules, ordinances and regulations;
2. Ensure that all operators are properly trained, know how to operate the unit safely, and are properly supervised;
3. Do not operate the lift until you are sure all parts are in place and operating correctly;
4. Keep your hands and feet away from the machine. Keep hands and feet away from any moving parts. Keep your feet away from the lift as it descends and avoid pressing on pointed objects;
5. Keep the work area clean. A cluttered workspace can lead to injuries;
6. The machine is only approved for indoor installation and use. Outdoor installation is prohibited;
7. Only trained operators are allowed to handle the lift machine. All untrained persons must stay away from the workplace. Never allow untrained persons to handle or operate the machine;
8. Use the lift properly. Use the lift in the correct way;
9. Warning! Keep persons and objects from the lift when lifting the a vehicle;
10. If the vehicle is at risk of falling, make sure no one is around the lift;
11. Before preparing to approach or service the vehicle, ensure that the safety device is in effect;
12. Dress appropriately when operating machines, and consider wearing non-slip steel-toe shoes for safety;
13. Beware of electric shock. In order to protect the operator from electric shock, the lift in use must be grounded. Do not connect the green wire to the terminal. This is the ground wire;
14. Danger! The power supply used in this type of lift has high voltage. Please disconnect the power supply before any circuit repair. Unplug in case the power supply is accidentally switched on during maintenance;

15. Warning! There is a risk of explosion. There are parts in the equipment that produce arc light and spark. Do not operate near flammable gas. This machine should not be placed in the lounge or basement;
16. Maintain with care. Keep the machine clean for better and safer operation. Perform proper lubrication and maintenance procedures according to the manual. Keep handles or buttons clean, dry, and free of oil;
17. Stay alert. Use common sense to observe what you are doing and stay alert;
18. Check for damaged parts. Check for adjustments to moving parts, damage to parts, or anything that may affect their operation. Do not use the machine if the parts are damaged;
19. Do not remove relevant safety parts from the machine. Do not use a lift if it is damaged or missing;
20. Operate the lift only at temperature between 41°F to 104°F (5°C to 40°C).

 **DANGER** Be very careful when installing, operating, maintaining or repairing this equipment. Failure to comply may result in property damage, product damage, injury or (in very rare cases) death. Ensure that only authorized personnel operate the equipment. All repairs must be carried out by an authorized technician. Do not modify the machine, this voids the warranty and increases the probability of personal injury or property damage. Ensure to read and follow this instructions on the label.

I. PRODUCT FEATURES AND SPECIFICATIONS

- Safe self-locking mechanism: three levels mechanical locks,automatic lock release, no need air source.
- Quick lifting : From 0-24 3/16"just 35 seconds.
- Portable design: can easily moved to the worksite, can be put into use without fixing.
- Two kind of square rubber pads are included as standard.

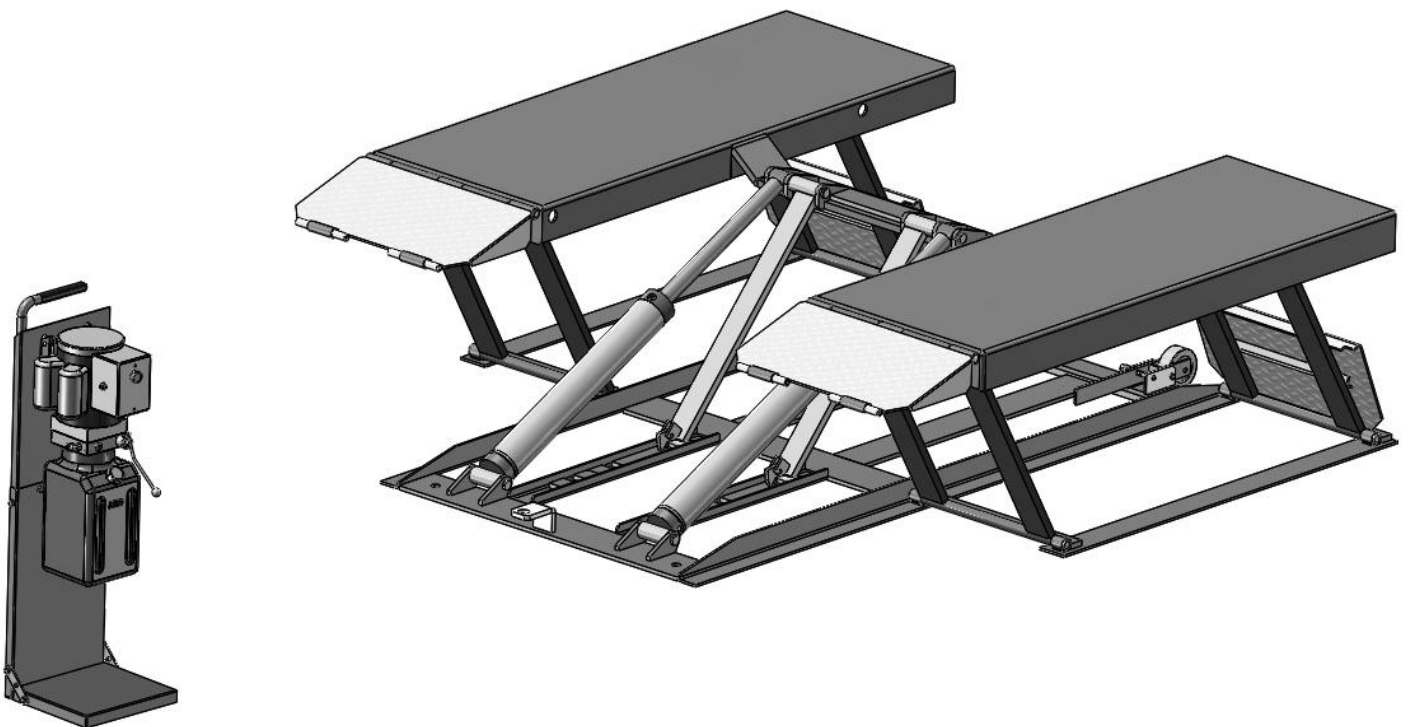


Fig. 2

Dimension

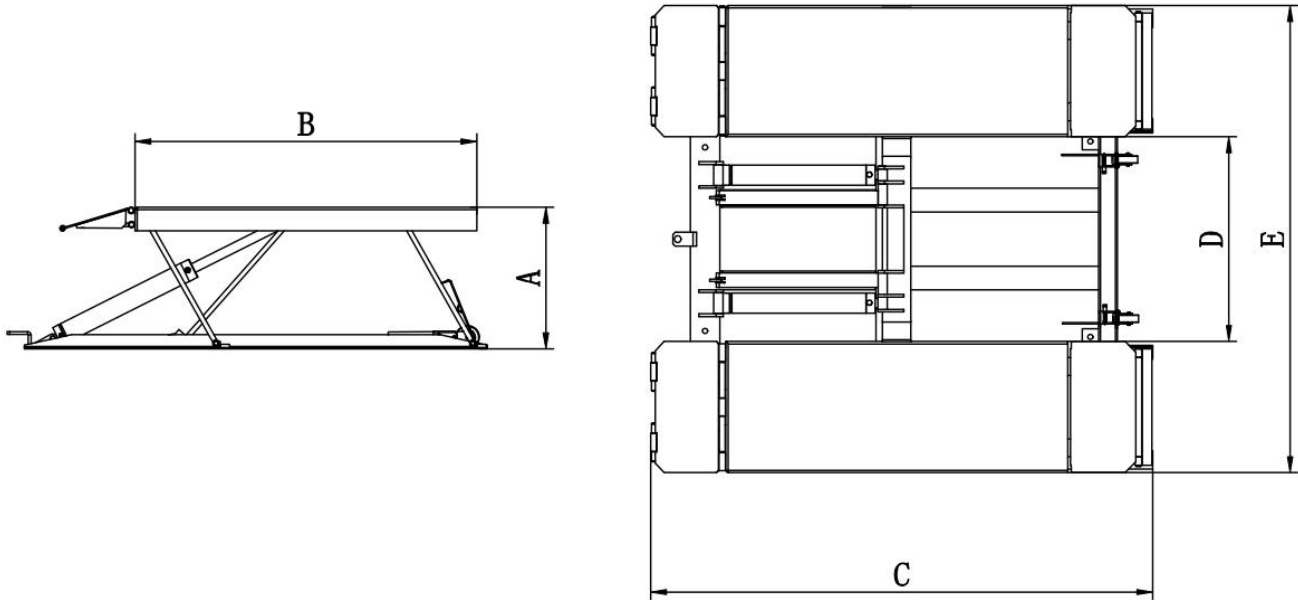


Fig. 3

MODEL LR10 SPECIFICATIONS

Model	Lifting Capacity	Lifting Time	A		B	C	D	E	Motor
			Max. Lifting Height	Min. height	Overall Length (not incl. Ramps)	Overall Length (incl. Ramps)	Width between runways	Outside edge of runways	
LR10	10000lbs	56S	24 3/16"	4 1/8"	57 3/16"	84 1/16"	34 3/16"	77 15/16"	1.0HP

⚠Warning When driving the vehicle onto the lift, make sure it is positioned in middle of runways. Any hit of the lift could result in damage to either the vehicle or lift.

II. INSTALLATION REQUIREMENT

A. TOOLS REQUIRED

↪ Screw Set



↪ Allen wrench (8 ")



↪ Wrench sets: (13#, 15#, 17#, 19#)



↪ Level bar



↪ Measuring tape (7.5m)



↪ Pliers



Fig. 4

Important Notes

Please follow the instructions to ensure proper installation or operation of your lift.

Failure to follow these instructions could lead to serious body injury.

The product warranty is also void.

The manufacturer shall not be liable for any form of loss or damage caused directly or indirectly by incorrect installation or operation of this product.

Please read this manual thoroughly before installation.


B. Equipment storage and installation requirements.

- 1 . Store the equipment in a dry, non-moldy, non-flammable environment.
- 2 . The machine is generally for indoor installation and use.
- 3 . When installing the device, take safety precautions according to the instructions to avoid device damage.
- 4 . During installation, all parts should be fastened to ensure the stability and smooth operation of the machine.
5. After installation, the whole machine should be checked to make sure that every component is working properly.

C. The equipment should be unloaded or transferred by forklift.

D. POWER SUPPLY

1. You are required to use a licensed and qualified electrician for the installation process.
2. The electrical source must be 3.0HP with a cord larger than 2.5mm² and must be properly grounded.

 **DANGER** All electrical wiring must be performed by a licensed and certified electrician. Attempting to connect the circuit without proper certification may result in damage to the lift or electrocution, resulting in serious injury or death.

III. INSTALLATION STEPS

A. Check the parts before assembly, confirm all the parts are completed.

1. Packaged lift, parts box, power unit , power unit stand and telescoping dolly.
Move all parts aside to installation place, open the outer packing and check the parts according to the shipment parts list (See Fig. 3).

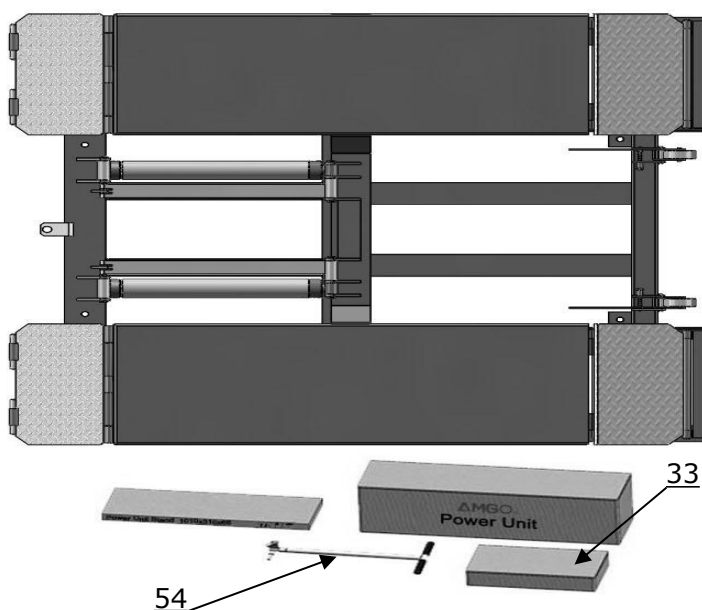


Fig. 5

2. Open the parts box, check the parts according to the part list (See Fig. 6).



Fig. 6

3. Check the parts of the parts bag according to the parts bag list (See Fig. 7).



Fig.7

4. Open power unit stand carton and check the parts according to the parts list (See Fig. 8).

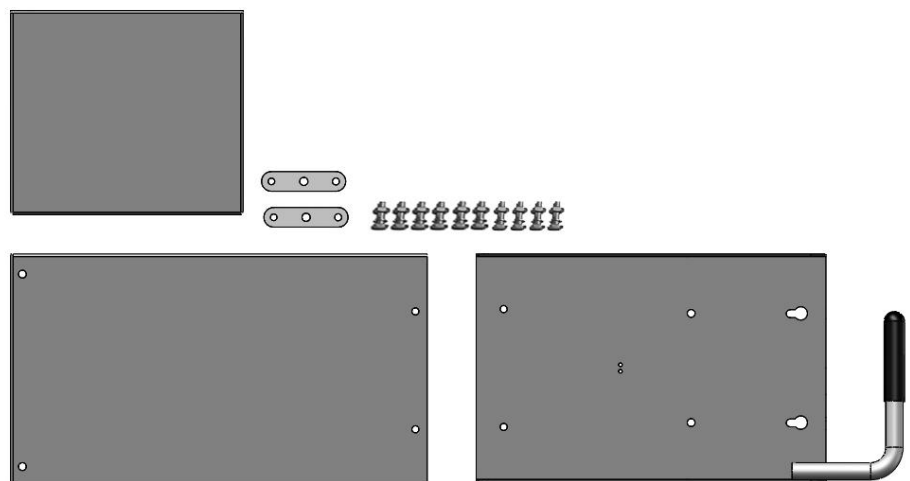


Fig.8

B. Install power unit stand and telescoping dolly.

1. Assemble power unit stand and U-shaped pipe strap.

Power unit stand assy: P/N:1103085002C

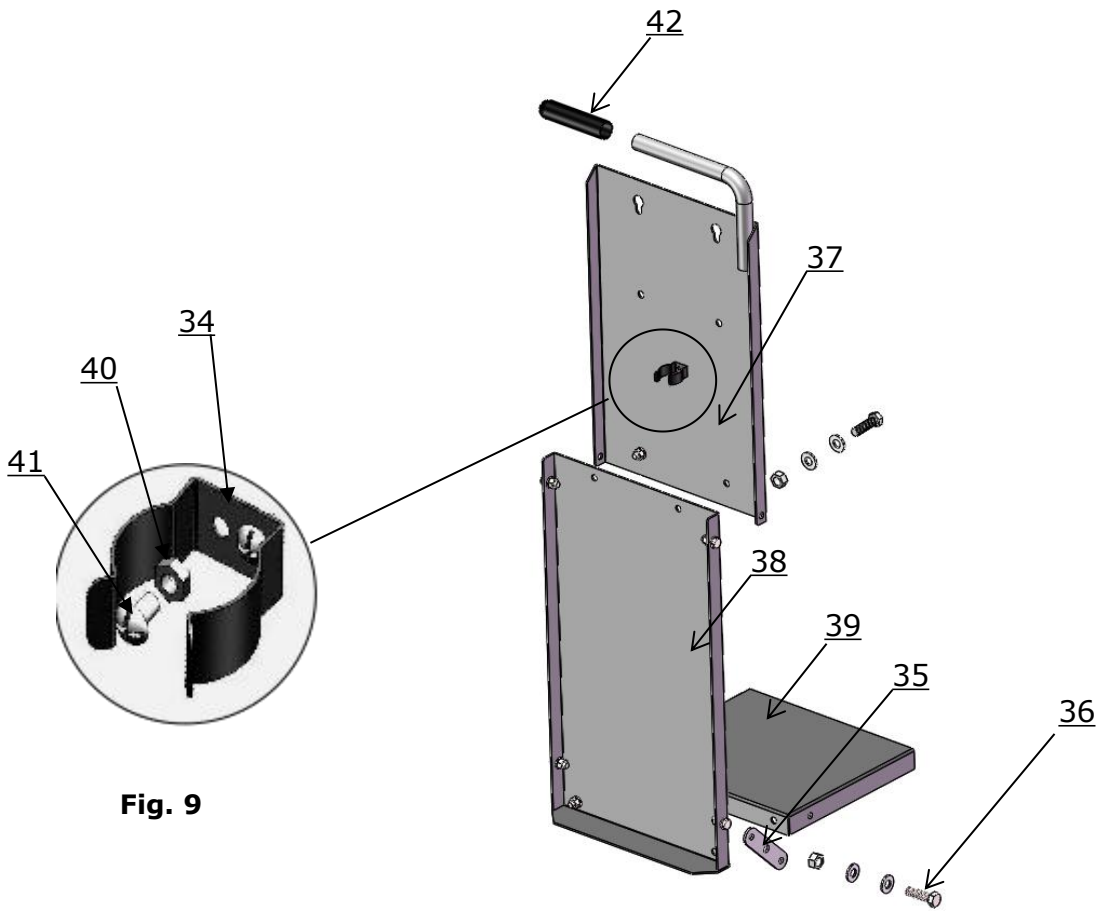


Fig. 9

2. Install power unit.

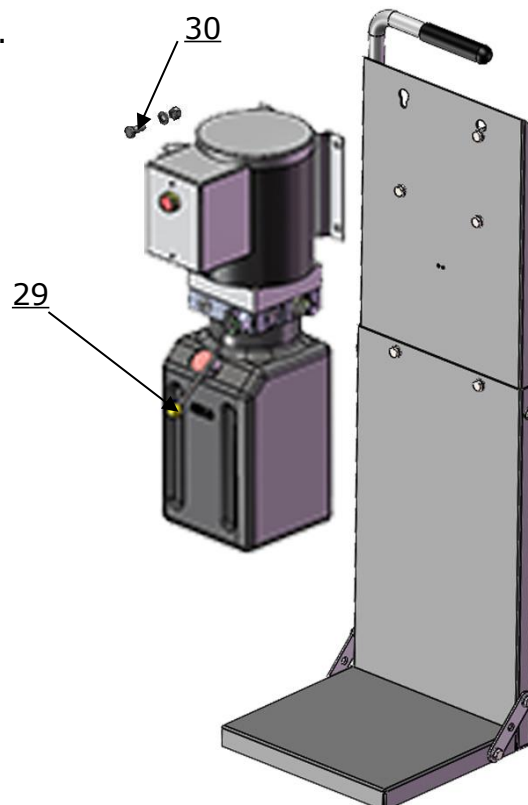


Fig. 10

3. Install the telescoping dolly assy. (P/N: 1103334002C)

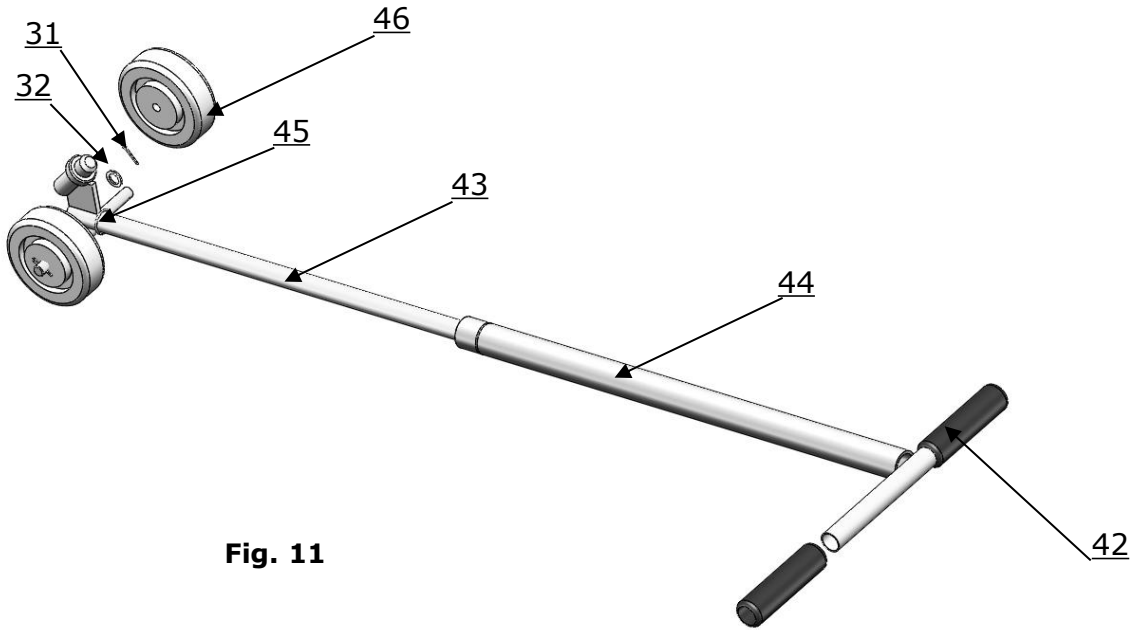


Fig. 11

4. Telescoping dolly operation illustrations.

4.1 To use the dolly, pull the extension casing to the longest and then rotate it counterclockwise until the rod is tightened with the casing.

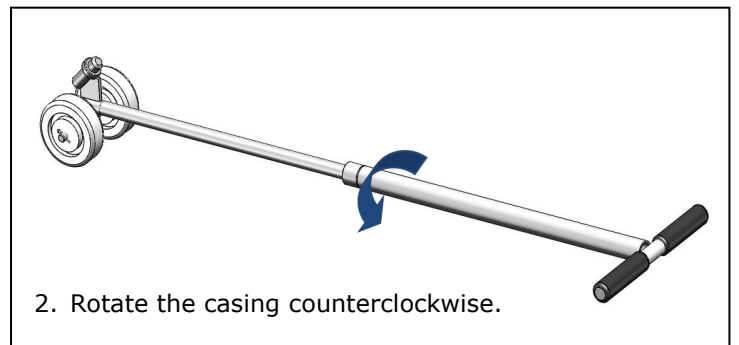
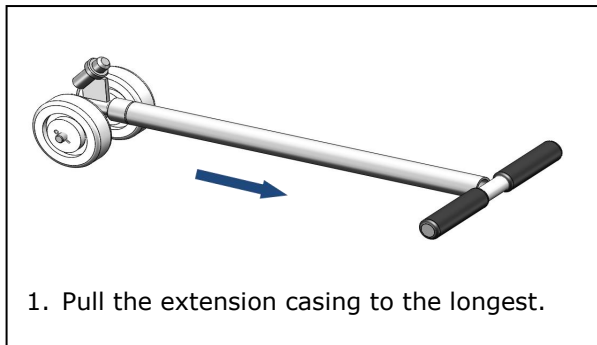


Fig. 12

4.2 After finishing the work, turn the casing clockwise, shorten the rod to the shortest position and hang it into U-shaped pipe strap installed on back of the power unit stand.

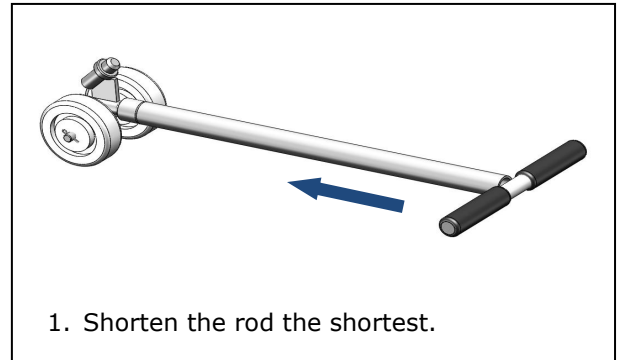
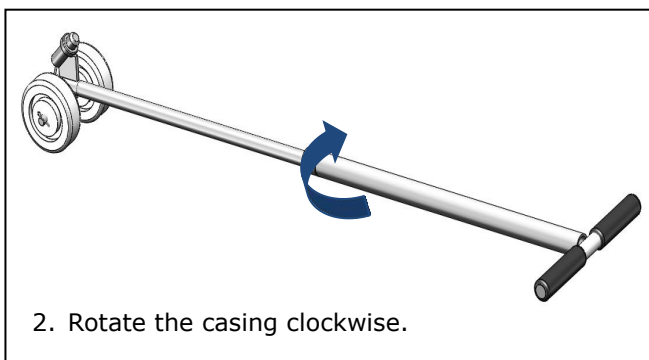


Fig. 13

C. Install oil circuit.

1. Assemble the fitting to power unit, then connect the oil hose to the fitting.

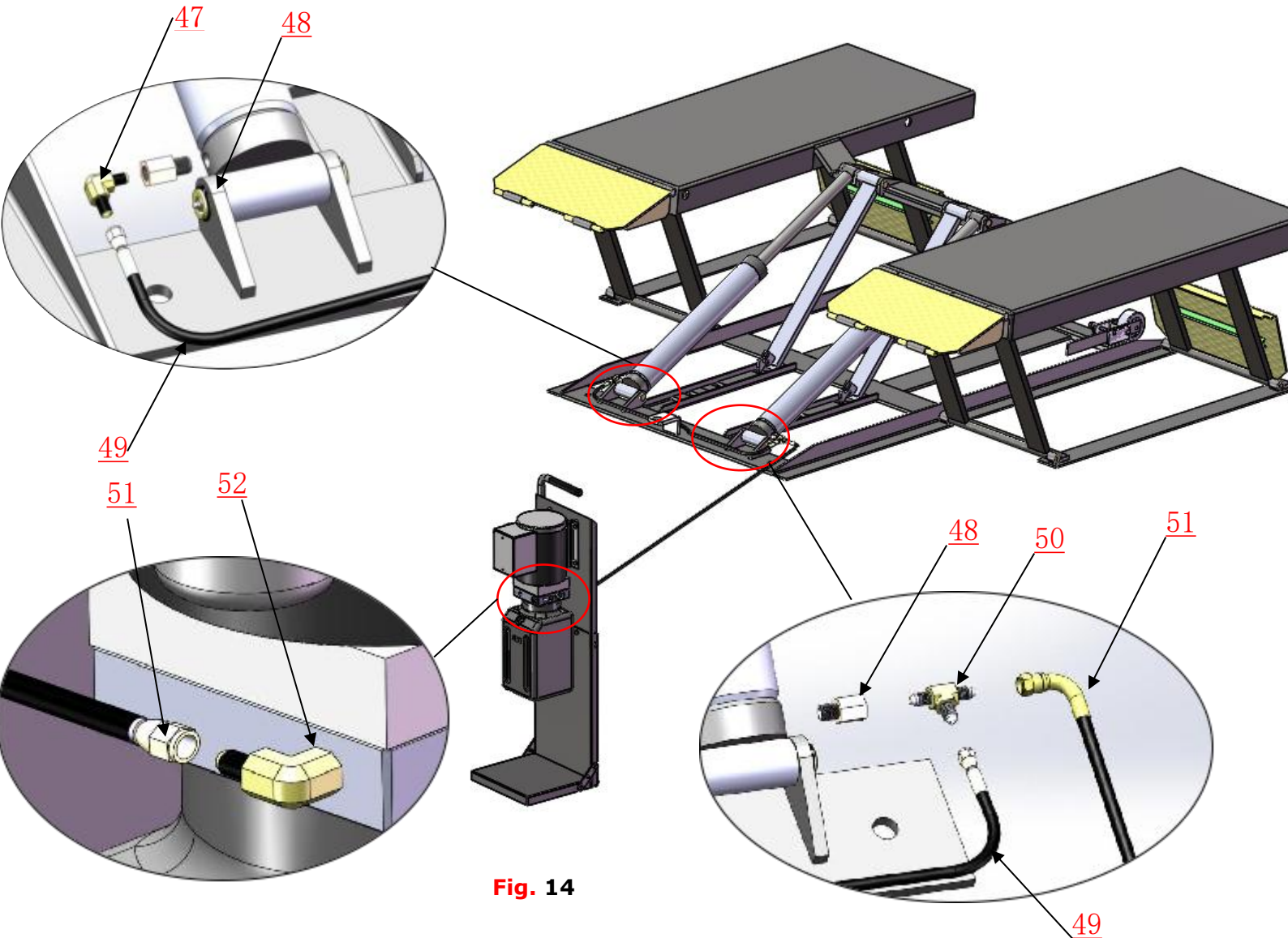


Fig. 14

D. Install electrical system

Connect the power source according to the data plate of Motor.

Attention: for the safety of operators, the lift must be well grounded.

Single phase motor wire connection. See fig 15.

Connect the two hot wires to terminals of AC contactor marked L1, L3 respectively. Connect the earth wire to earth strip. (You can refer to the circuit diagram on the back of the motor box for connection)

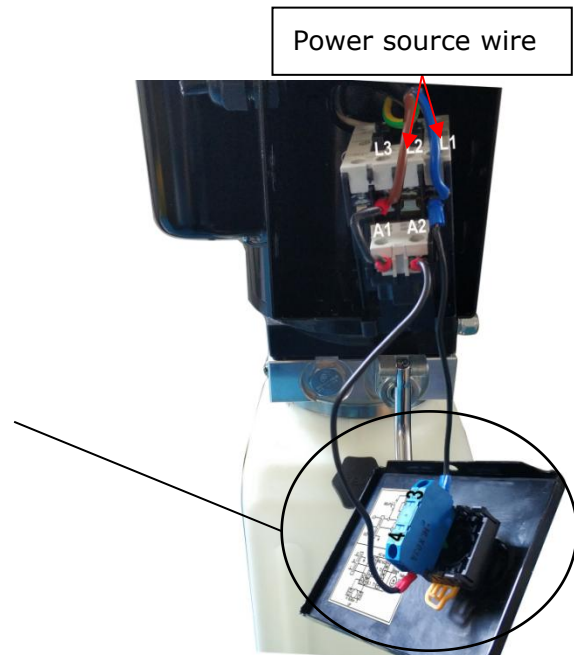
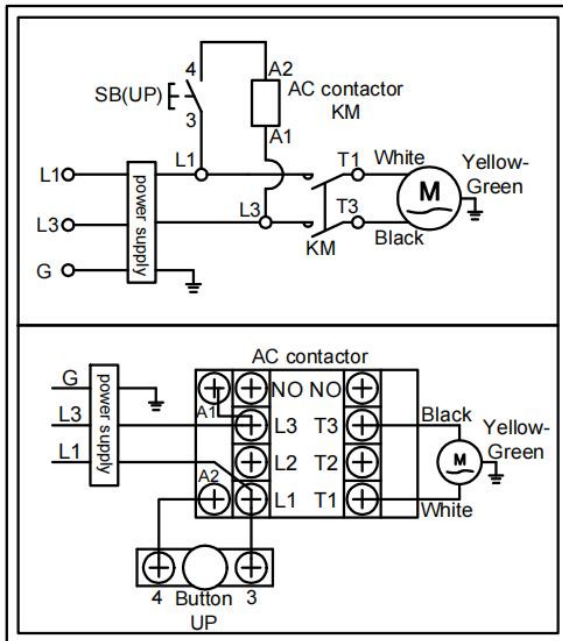


Fig. 15

⚠ DANGER Do not use the lift if the wires are damaged or severely worn. If the vehicle rises without noticing damage or extreme wear, carefully lower the vehicle to the ground. Once the lift is on the ground, remove it, disconnect the power, and arrange for protection.

IV. EXPLODED VIEW

Model: LR10

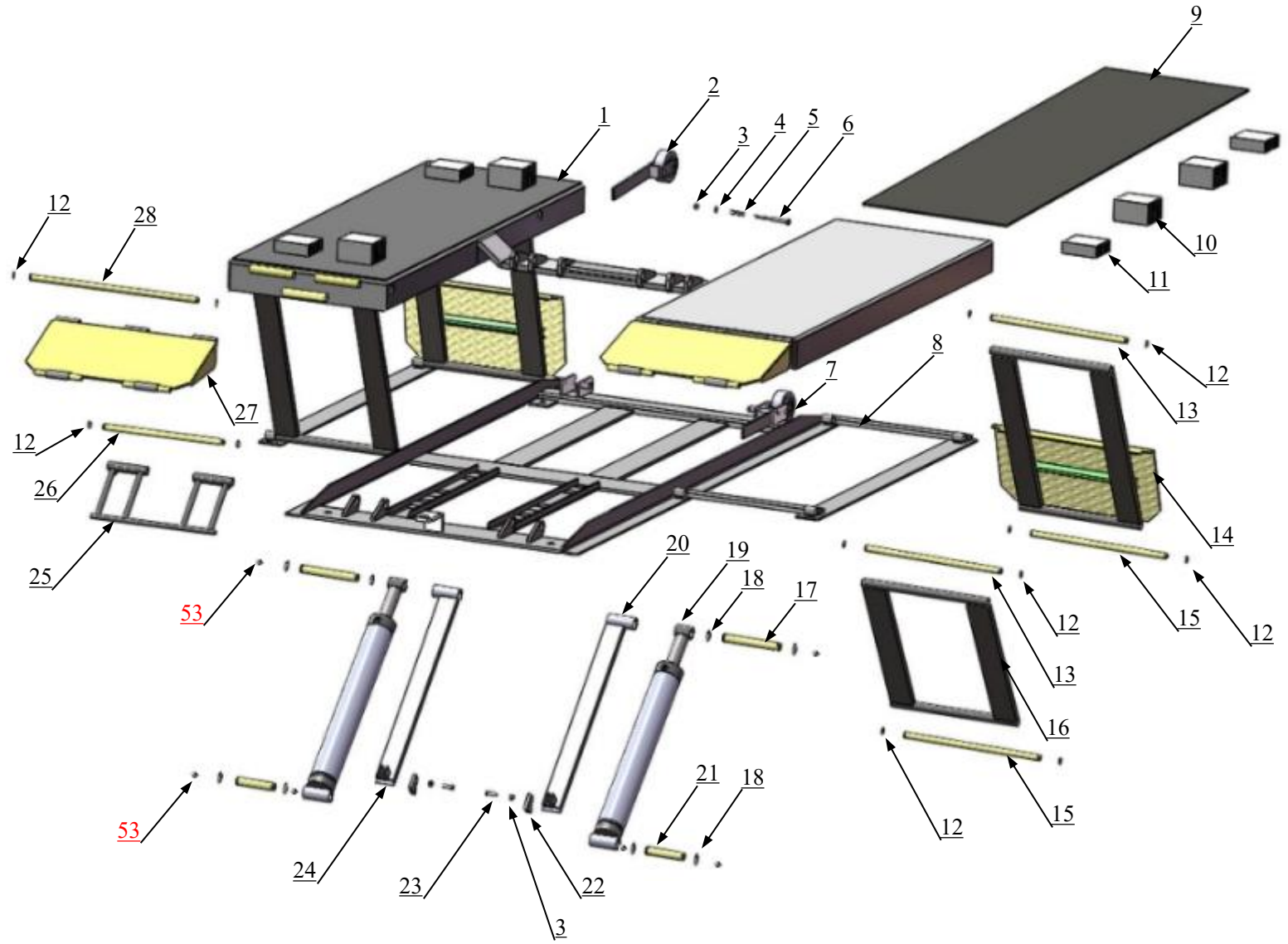


Fig. 16

PARTS LIST FOR MODEL LR10

Item	Part No.	Description	QTY.
1	1103033001A	Platform	1
2	1103031005	Roller (left)	1
3	10209056	Nylok nut M10	4
4	10209022	Flat washer ϕ 10	2
5	10630015	Spring ϕ 15* ϕ 12*55	2
6	10420020	Hex bolt M10*115	2
7	1103031006C	Roller (right)	1
8	11630111-02	Base	1
9	1003033001	Rubber pad 538*1450*5	2
10	10610070	Rubber pad 120*100*70	4
11	10620034	Rubber pad 120*100*38	4
12	10206019	Clip ring ϕ 19	20
13	1103032003	Connecting pin ϕ 19*457	4
14	1103032001A	Supporting frame (drive-up)	2
15	1103032004	Connecting pin ϕ 19*503	4
16	1103032002A	Supporting frame	2
17	11630005-02	Cylinder connecting pin ϕ 25*190	2
18	10206032	Clip pin ϕ 25	8
19	10630006-01	Cylinder	2
20	1103031004	Safety bar	1
21	1103031007	Bottom cover connecting pin ϕ 25*124	2
22	11630013	Safety block	1
23	10209046	Hex bolt M10*35	2
24	1103031003	Safety bar	2
25	11620006A-01	Supporting frame	2
26	11630106-01	Connecting pin ϕ 19*420	2
27	1103033012	Drive-in ramp assy.	2
28	1103033010	Pin ϕ 19*550	2
29		Power unit	1
30	1001085009	Hex bolt 8*25(include rubber ring, M8 nylok nut)	4
31	10630107	Cotter pin ϕ 3*20	2
32	10206006	Flat washer ϕ 12	2
33	10630501A	Parts box	1
34	1003085005	U-shaped pipe strap	1
35	1102022004-01	Fixing bracket	2
36	1004574011	Hex bolt M8*20 (include flat washer, lock washer, nut)	10
37	1103334010A-01	Stand plate 1	1
38	11033334012	Stand plate 2	1
39	1103334011	Stand base	1

Item	Part No.	Description	QTY.
40	10420161	Nylok nut M4	2
41	102201104	Round head bolt	2
42	10640126	Handle Sleeve	3
43	1103334002A	Pull rod	1
44	1103334009A	Extension casing	1
45	1003085005	Clip ring $\Phi 24 \times 2$	1
46	1003275021	White wheel 4"	4
47	10420097	90° fitting for cylinder 1/4"NPT (M) \times 1/4"JIC (M)	1
48	11630103	Straight fitting 1/4"NPT (M) \times 1/4"NPT (F)	2
49	10630104-01	Oil hose assy. 1/4" \times 860mm	1
50	10209062	T fitting 1/4" NPT (M) \times 1/4" JIC (M) \times 1/4" JIC (M)	1
51	1003035001-01	Oil hose assy. 5/16" \times 3650mm	1
52	10209060	90° fitting for power unit 3/8"SAE0/R (M) \times 1/4"JIC (M)	1
53	10620064	Grease fitting	6
54	1103334002C	Telescoping dolly assy.	1

Roller (left) exploded view P/N:1103031005

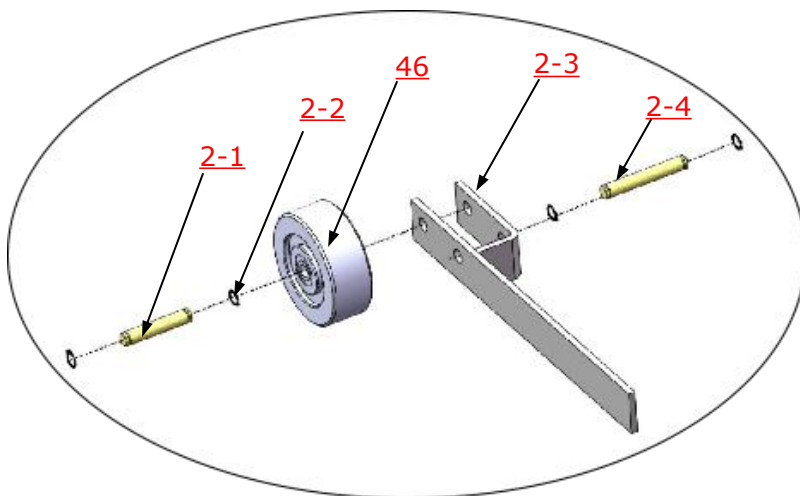


Fig. 17

Roller (right) exploded view P/N:1103031006

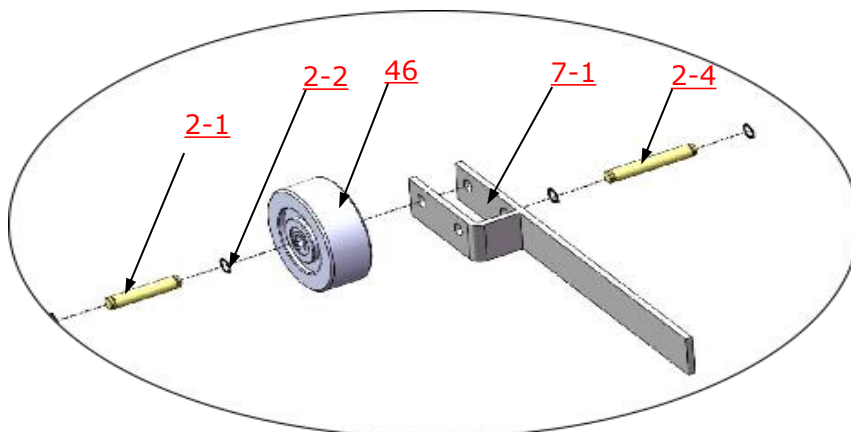


Fig. 18

Item	Part No.	Description	QTY.
2-1	11630034	Pin $\phi 12*65$	2
2-2	10630032	Clip ring $\phi 12$	8
2-3	11640024	Wheel control handle (left)	1
2-4	11630033	Connecting pin $\phi 12*80$	2
7-1	11630667	Wheel control handle (right)	1

Drive-in ramp assy. exploded view P/N: 1103033012

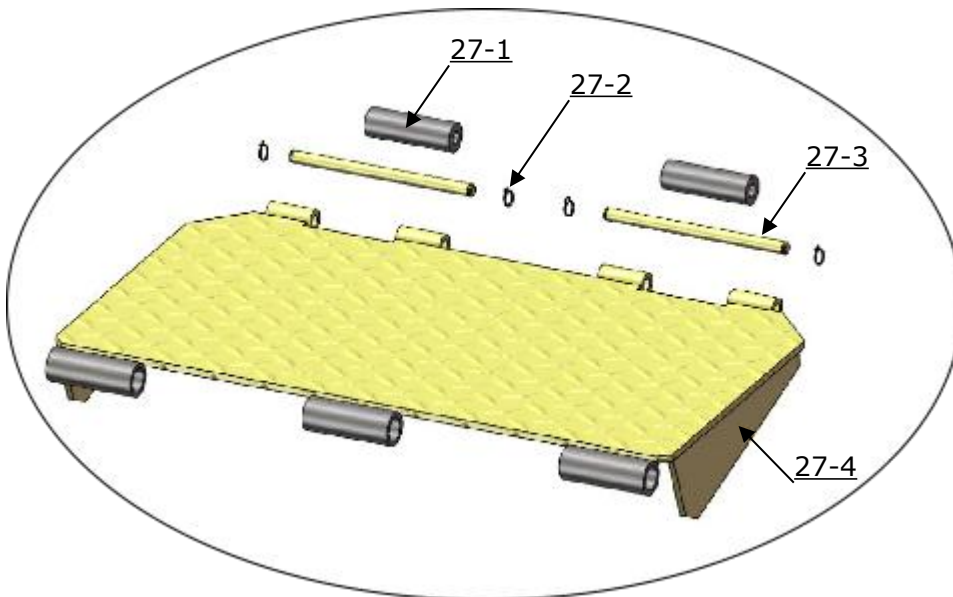


Fig. 19

Item	Part No.	Description	QTY.
27-1	10620063	Roller	4
27-2	10209010	Clip ring $\phi 10$	8
27-3	11620043	Roller pin	4
27-4	1103033008A	Drive-in ramp	2

Cylinder exploded view

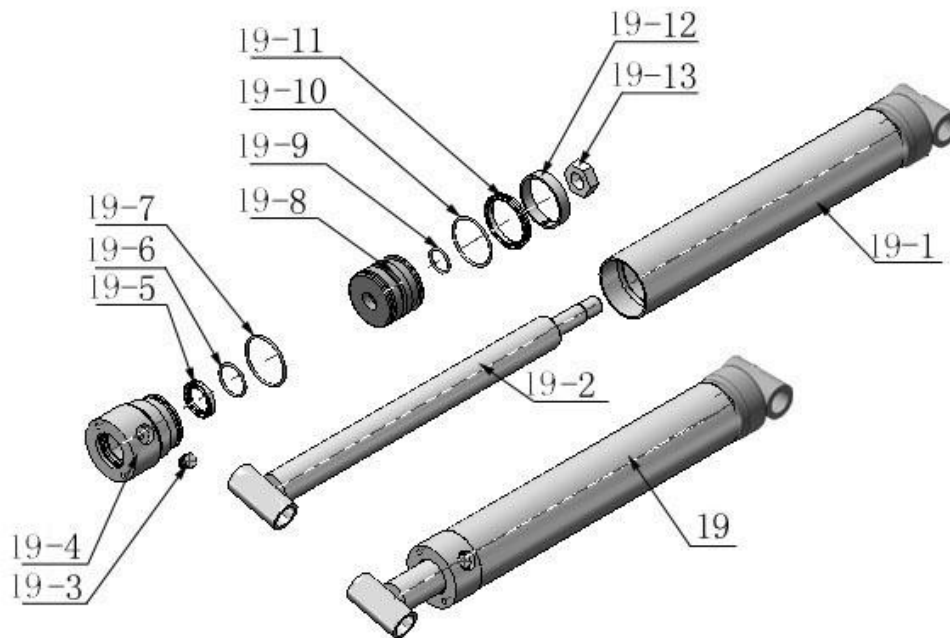
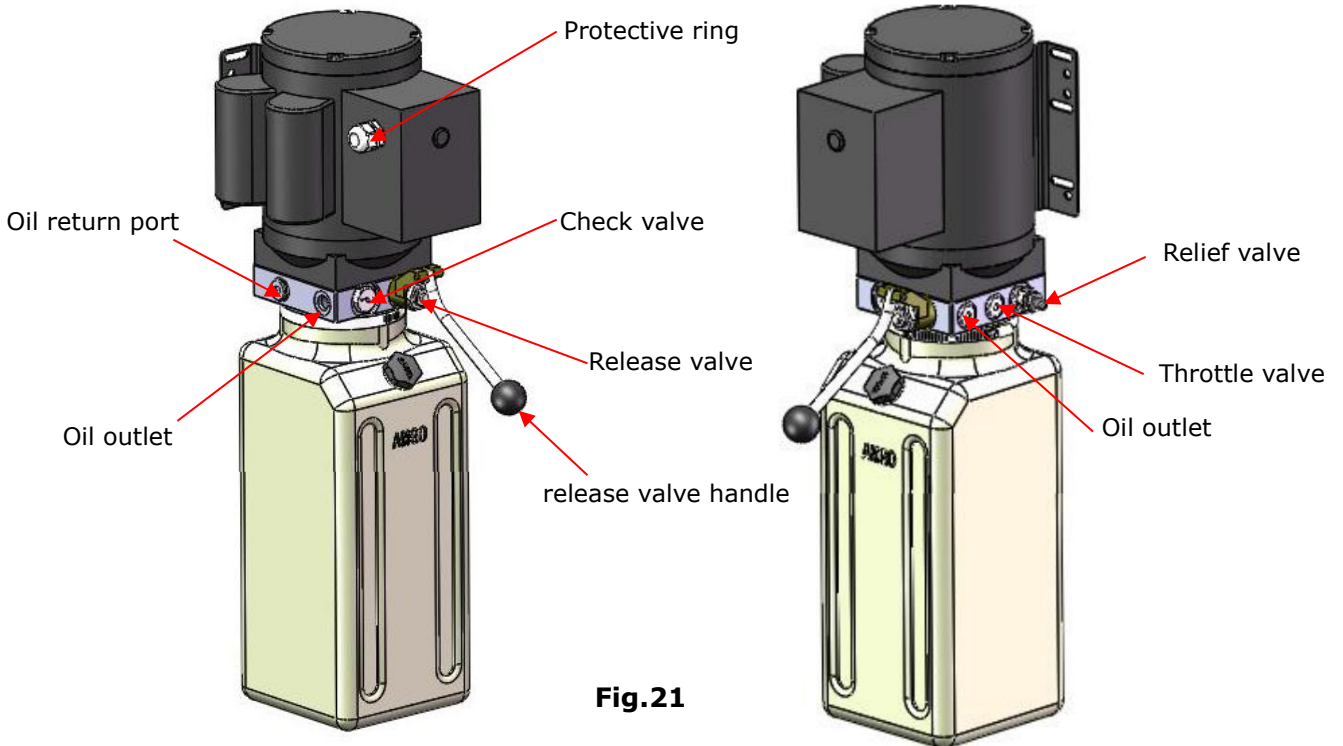


Fig. 20

Item	Part No.	Description	QTY.
19-1	11630029	Bore weldment	2
19-2	11630026-01	Piston rod	2
19-3	10201034	Muffler	2
19-4	11630030	Head cap	2
19-5	10209078	Dust ring	2
19-6	10620058	O ring for head cap (in)	2
19-7	10620049	O ring for head cap (out)	2
19-8	11630028	Piston	2
19-9	10206069	O ring for piston (in)	2
19-10	10630027	O ring for piston (out)	2
19-11	10620054-01	Y ring USH	2
19-12	10620055	Support ring	2
19-13	10206071	Nut	2

Manual Power unit valve position instruction



V. OPERATION INSTRUCTIONS

1. Connect the oil hose between cylinder and power unit, connect to the power source with wires, then the lift can be used.
2. To lift a vehicle: lay the roller flat. The vehicle can be maintained only when the lift is raised to the proper height and the safety bar is secured in the locking position (see fig 22).
3. To lower the lift: raise it for a few seconds until the safety bar releases from the lock (see Fig. 23), then press the lowering handle.

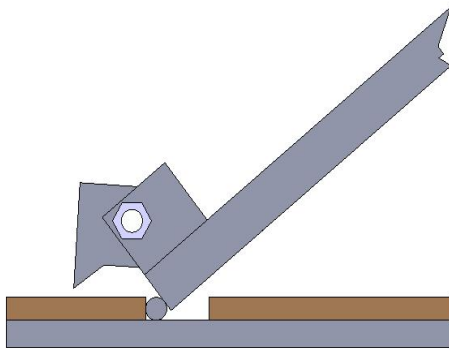


Fig.22

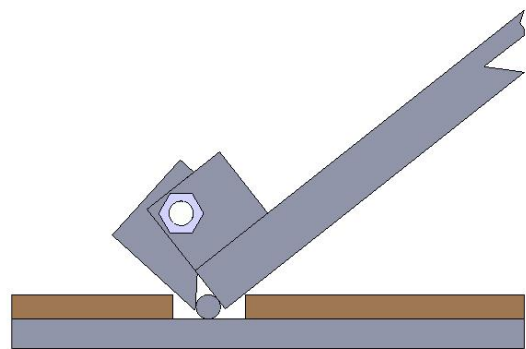


Fig.23

4. Move the lift: uplift roller and stick it on the shaft, use telescoping dolly to pry up the lift machine to move. See fig 24, 25.

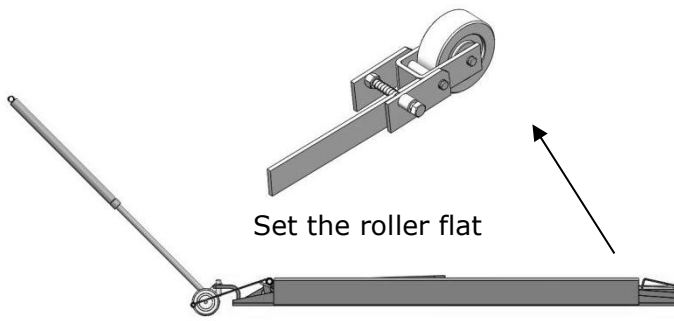


Fig.24

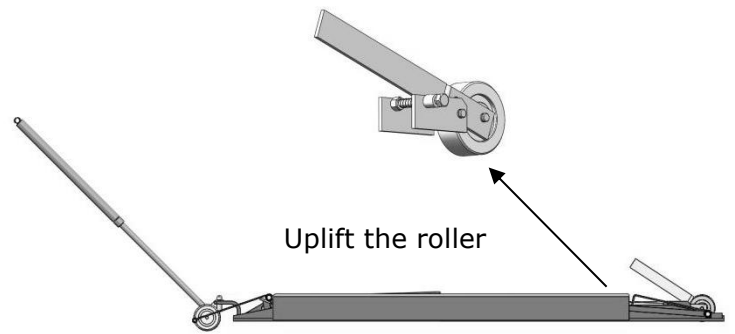


Fig.25

5. The machine is equipped with four fixing holes. If you want to fix the machine on the cement ground, can choose 3/4*5-1/2" anchor bolts See fig 26.

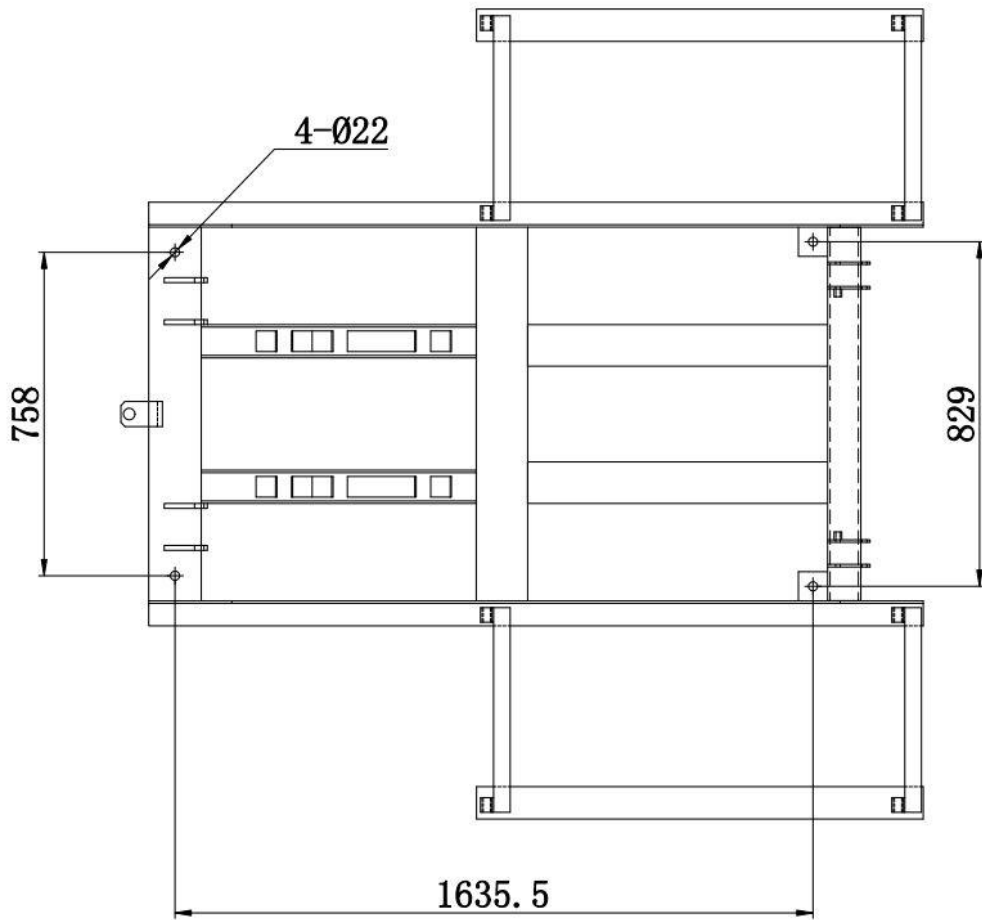


Fig.26

VI. MAINTENANCE SCHEDULE

Monthly:

1. Check all fitting, bolts and pins to ensure proper connection.
2. Make a visual inspection of all hydraulic lines for possible wear or leakage.
3. Grease the moving friction parts for lubrication and maintenance.

Every six months:

1. Make a visual inspection of all moving parts for possible wear, interference or damage.
2. Check all fastener and re-torque.

Cylinder Maintenance:

In order to extend the life of the cylinder, please follow the following requirements.

1. Recommended N46 anti-wear hydraulic oil;
2. Replace the oil regularly. Replace the hydraulic oil after three months of the first installation, the replace yearly;
3. Take at least a full stroke run everyday to bleed out the possible exit air. This operation would effectively avoid the air or water that cause cylinder corrosion and seal kit damage;
4. Protect the outer surface of the cylinder piston rod to prevent bumps and scratches, clean up the position of the cylinder dust ring and the debris on the piston rod in time.

VII. TROUBLE SHOOTING

TROUBLE	CAUSE	REMEDY
Motor does not run	<ol style="list-style-type: none"> 1. Button does not work 2. Wiring connections are not in good condition 3. Motor burned out 4. AC contactor burned out 	<ol style="list-style-type: none"> 1. Replace button 2. Repair all wiring connections 3. Repair or replace motor 4. Replace AC Contactor
Motor runs but the lift is not raised	<ol style="list-style-type: none"> 1. Gear Pump out of operation 2. Release Valve in damage 3. Relief Valve or Check Valve in damage 4. Low oil level 5. Overload lifting or low pressure 	<ol style="list-style-type: none"> 1. Repair or replace 2. Repair or replace 3. Repair or replace 4. Fill tank 5. Check load or adjust the relief valve
Lift does not stay up	<ol style="list-style-type: none"> 1. Release Valve out of work 2. Relief Valve or Check valve leakage 3. Cylinder or fittings leaks 	Repair or replace
Lift raises slowly	<ol style="list-style-type: none"> 1. Oil line is jammed 2. Motor running on low voltage 3. Oil mixed with air 4. Gear pump leaks 5. Overload lifting 	<ol style="list-style-type: none"> 1. Clean the oil line 2. Check electrical system 3. Fill tank 4. Repair or replace 5. Check load
Lift cannot lower	<ol style="list-style-type: none"> 1. Safety device are in activated 2. Release Valve in damage 3. Oil system is jammed 	<ol style="list-style-type: none"> 1. Release the safeties 2. Repair or replace 3. Clean the oil system

VIII. CAR LIFT SAFETY TIPS

Put this safety tips in a place where you can always alert the operator. Please reference to the lift manufacturer's manual for specific information about the lift.

1. Check the lift daily. If the machine breaks down or has damaged parts, do not operate, and use original equipment parts to repair.
2. **Do not** overload . The rated weight of the manufacturer design is indicated on the label of the lift.
3. Position control of the vehicle and operation of the lift can only be done by a trained and authorized person.
4. **Do not** lift a car with occupants inside. Keep the customers or bystanders away from the lift.
5. Keep the area around the lift free of obstacles, lubricating oil, grease, garbage and other debris for a long time.
6. Carefully drive the vehicle onto the lift and lifting up to the required height for operation. **Noted:** lift it high enough if you are working underneath, and make sure the safety devices are locked.
7. **Noted:** removing(install) parts from(to) a vehicle would cause a sudden shift of gravity which may result in instability of the vehicle. Please refer to the vehicle manufacturer's service manual as a recommended procedure if you need remove/install parts from(to) the vehicle
8. Before lowering the lift , make sure all obstacles underneath, include tool tray, tool rack etc., are all removed.

IX. LIFT DISPOSAL

When the car lift cannot meet the requirements for normal use and needs to be disposed, it should follow local laws and regulations.



Address:

SC Division: 1931 Joe Rogers Jr Blvd, Manning, SC 29102, USA

TX Division: 4310 Adler Dr., Suite #200, Dallas, TX 75211, USA

<http://www.amgohyd.com>

Manual No.: **72215806**
Revision Date: **2025/02**